

Professionall

Solutii profesionale pentru echipamente profesionale



GAS COMPONENTS



ELECTRIC COMPONENTS



WATER TECHNOLOGY



MECHANICAL COMPONENTS



TOOLS

Spare parts suitable for

ZOIN



heating elements

heating elements for refrigeration

heating elements for condensate evaporation



No.	416984	Ref. No.	R010-REU250 R010-RMU251
description	heating element 270W 230V L 230mm W 36mm cable length 4000/100mm tube ø 8.3mm condensate evaporation		

condensing trays heated



No.	750516	Ref. No.	EV-V000016
description	condensing tray L 465mm W 178mm H 180mm 800W 230V		



No.	750517	Ref. No.	EV-V000017
description	condensing tray L 468mm W 300mm H 120mm 800W 230V total length 525mm overall height 160mm		
spare parts for	750517		
No.	417744	Ref. No.	R010-REU500
description	heating element 400W 230V L 485mm W 70mm H 9.5mm heating circuits 1 cable length 500mm defrosting		

heating cartridges



No.	417612	Ref. No.	R010-PTC/3
description	heating cartridge 400W 230V L 283mm ø 12.2mm thread 3/8" cable length 1500mm for tank		

thermostats

control and safety thermostats

PRODIGY / FIRT

control thermostats



No.	390723	Ref. No.	R0470000
description	thermostat PRODIGY temperature range -35 up to +35°C probe ø 6mm probe L 110mm capillary pipe 1500mm type TR/711-N		
accessories for	390723		
No.	110305	Ref. No.	—
description	knob thermostat t.max. 35°C temperature range -35 up to +35°C ø 45mm shaft ø 6x4.6mm shaft flat inclined rotation 270° white		

switches and momentary switches

rocker/momentary rocker switches

30x22mm



No.	301020	Ref. No.	R024
description	momentary rocker switch mounting measurements 30x22mm red 2NO 250V 16A illuminated 0-I connection male faston 6.3mm ambient temperature max. 100/55°C protection IP65		



No.	301001	Ref. No.	R042
description	rocker switch mounting measurements 30x22mm red 2NO 250V 16A illuminated 0-I connection male faston 6.3mm ambient temperature max. 125/55°C protection IP65		
accessories for	301001		
No.	301036	Ref. No.	—
description	protective cover internal size 30x22mm for rocker switch mounting measurementsmm		



timers

defrost timers

BIGATTI



1

No.	360055	Ref. No.	R0480000
description	defrost timer type SB3.81 defrosting interval 1-12x in 24h defrosting time 2-54min fan delaymin 230V		

electronic controllers

CAREL

refrigeration controllers

built-in version



1

No.	378030	Ref. No.	R055PJ32 R055PJEZSNH000K	
description	electronic controller CAREL PJEZSNH000K mounting measurements 71x29mm built-in depth 31mm 230V voltage AC NTC relay outputs 1 CO-12A(2) NTC NTC yes protection IP54 incl. bezel°C display 2½ digit			
accessories for	378030			
	No.	378261	Ref. No.	—
	temperature probe NTC 10kOhm cable thermoplastic probe -40 up to +110°C cable -40 up to +110°C probe ø6x35mm cable length 3m without screw connection 2-wire			
	No.	379057	Ref. No.	—
	temperature probe NTC 10kOhm cable PVC probe -20 up to +80°C cable -10 up to 100°C probe ø6x25mm cable length 3m 2-wire			
	No.	379160	Ref. No.	—
	temperature probe NTC 10kOhm cable thermoplastic probe -40 up to +110°C cable -40 up to +110°C probe ø6x14mm cable length 1.5m without screw connection 2-wire			
	No.	379161	Ref. No.	—
	temperature probe NTC 10kOhm cable thermoplastic probe -40 up to +110°C cable -40 up to +110°C probe ø6x14mm cable length 3m without screw connection 2-wire			
	No.	379342	Ref. No.	—
	temperature probe NTC 10kOhm cable PVC probe -20 up to +80°C cable -10 up to 100°C probe ø6x25mm cable length 1.5m 2-wire protection IP67			
	No.	379343	Ref. No.	—
	temperature probe NTC 10kOhm cable silicone probe -40 up to +110°C cable -50 up to +180°C probe ø6x40mm cable length 3m 2-wire			
	No.	379458	Ref. No.	—
	temperature probe NTC 10kOhm cable silicone probe -40 up to +110°C cable -50 up to +180°C probe ø6x40mm cable length 1.5m without screw connection 2-wire			

accessories for	378030			
	No.	379784	Ref. No.	—
	temperature probe NTC 2kOhm cable thermoplastic probe -40 up to +110°C cable -40 up to +110°C probe ø6x35mm cable length 2m without screw connection 2-wire resistor 2kOhm			
	No.	379860	Ref. No.	—
	temperature probe NTC 10kOhm cable PVC probe -20 up to +80°C cable -10 up to 100°C probe ø6x40mm cable length 1.5m without screw connection 2-wire			

compressors

EMBRACO / ASPERA

R404a/R507

HMBP monophase

High/Medium evaporation temperature above -20/-15 °C

1

No.	605133	Ref. No.	R093C-E9213GK
description	compressor coolant R404a/R507 type NE9213GK 220-240V 50Hz HMBP 12kg 1/2HP cylinder capacity 12.12cm³ CSR H 205mmWWWW 862W 1080W 1327W 1602WW		

fans

axial fans

import



1

No.	698721 ¹	Ref. No.	R030-FP-108-1-B
description	axial fan L 119mm W 119mm H 38mm 230VAC 50/60Hz 17/15W bearing ball bearing manuf. no. connection cable cable length 3000mm COMMONWEALTH fan wheel ø 110mm temp.-resist. 70°C input current 0.1A airflow 130m³/h 2600rpm		


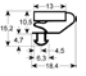
¹with ball bearings



equipment-specific units

for fridges



miscellaneous

			
1			
No.	692565	Ref. No.	R003-1
description	door L 635mm W 300mm D 37mm Qty 1 pcs		
accessories for	692565		
	No.	901128	Ref. No. R053/1
	refrigeration gasket profile 9703 W 295mm L 612mm plug size L1 600mm W1 285mm external size		

for display coolers

glass panels



accessories



			
1			
No.	694256	Ref. No.	R005R
description	gasket for glass plate D1 ø 15mm D2 ø 4.5mm thickness 1mm PVC		
			
1			
No.	694255	Ref. No.	R005V
description	Thumb screw for glass plate thread M4 L 18mm		

hinges

edgemount hinges

miscellaneous

			
1			
No.	692587	Ref. No.	R052/1+R052P/1
description	door hinge L 80mm W 18mm mounting distance 30mm hinging left/right without lift plastic centre of rotation 23mm Qty 2 pcs		
accessories for	692587		
	No.	692618	Ref. No. R052SP/1
	edgemount hinge L 81mm W 40mm mounting distance 30/60mm hinging left/right without lift plastic		

			
1			
No.	692618	Ref. No.	R052SP/1
description	edgemount hinge L 81mm W 40mm mounting distance 30/60mm hinging left/right without lift plastic		
accessories for	692618		
	No.	692587	Ref. No.
	door hinge L 80mm W 18mm mounting distance 30mm hinging left/right without lift plastic centre of rotation 23mm Qty 2 pcs		

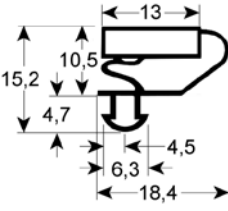
gaskets

refrigeration gaskets

plug-in gaskets

profile 9703

We offer custom-made gaskets for this profile

			
1			
No.	901128	Ref. No.	R053/1
description	refrigeration gasket profile 9703 W 295mm L 612mm plug size L1 600mm W1 285mm external size		

evaporators

for fridges

producer-specific

			
1			
No.	750514	Ref. No.	R096ESSHL150
description	evaporator L 1180mm W 175mm H 70mm total length 1240mm overall width 175mm mounting distance 1 158mm		
			
1			
No.	750513	Ref. No.	R096ESSJJ200
description	evaporator L 1590mm W 175mm H 70mm total length 1650mm overall width 175mm mounting distance 1 158mm		

measuring equipment

thermometers

built-in thermometers

battery powered



No.	378494	Ref. No.	R041E000
description	thermometer mounting measurements 45x26mm front measurements 48x28.5mm battery comp. rear cable length 2000mm probe ø 5mm probe L 19mm		

No.	750518	Ref. No.	R096ESSJJ250
description	evaporator L 2105mm W 175mm H 70mm total length 2145mm overall width 175mm overall height 100mm mounting distance 165mm refrigeration		

No.	750515	Ref. No.	R096EISJJ200
description	evaporator L 985mm W 105mm H 70mm total length 1050mm overall width 105mm mounting distance 185mm		

for display coolers

No.	750704	Ref. No.	R096ESSHL250
description	evaporator L 2150mm W 175mm H 80mm		