

Professionall

Solutii profesionale pentru echipamente profesionale



GAS COMPONENTS



ELECTRIC COMPONENTS



WATER TECHNOLOGY



MECHANICAL COMPONENTS



TOOLS

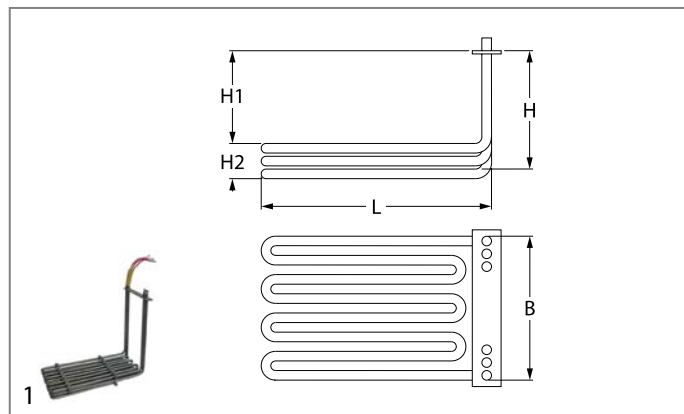
Spare parts suitable for

VALENTINE

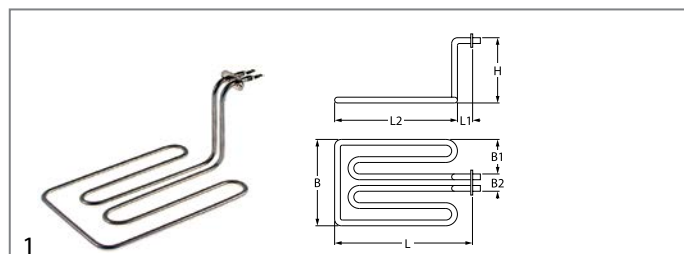


heating elements

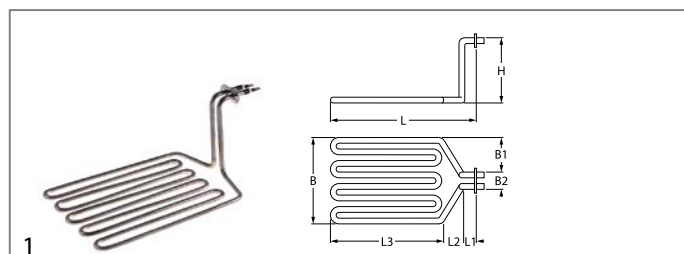
heating elements for fryers



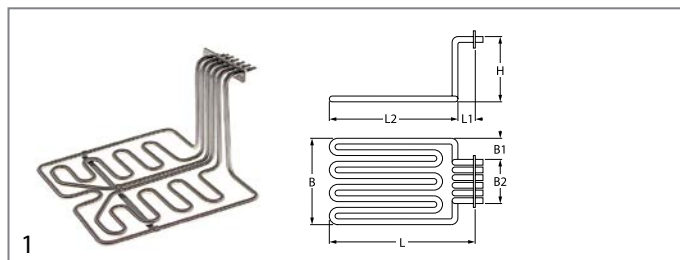
No.	415357	Ref. No.	N/A
description	heating element 8000W 400V heating circuits 3 L 335mm W 150mm H 270mm rectangular flange connection cable fryer heaters H1 233mm H2 37mm hole distance 30mm hole ø 5mm flange length 165mm flange width 20mm cable length 150mm tube ø 8.5mm		



No.	418350	Ref. No.	9021-61
description	heating element 2300W 230V heating circuits 1 L 293mm W 195mm H 136mm L1 23mm L2 270mm W1 84mm W2 27mm flange length 50mm flange width 22mm hole distance 40mm windings 2 tube ø 8mm connection length 50mm connection male faston 6.3mm hole ø 4.5mm rectangular flange immersion heater		

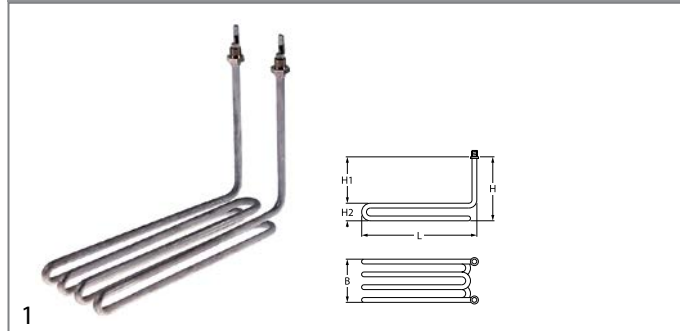


No.	418351	Ref. No.	9022-61
description	heating element 3000W 230V heating circuits 1 L 293mm W 200mm H 135mm rectangular flange connection male faston 6.3mm immersion heater L1 23mm L2 30mm L3 240mm W1 86mm W2 28mm hole distance 40mm windings 5 hole ø 4.5mm flange length 50mm flange width 22mm tube ø 8mm connection length 50mm		



No.	418352	Ref. No.	9024-54
description	heating element 6400W 230/400V heating circuits 3 L 285mm W 278mm H 170mm L1 20mm L2 265mm W1 92mm W2 94mm flange length 115mm flange width 22mm tube ø 8mm hole distance 103mm hole ø 5mm connection male faston 6.3mm connection length 35mm rectangular flange immersion heater fryer		

2 hole fixing



No.	418357	Ref. No.	5185 5185-01
description	heating element 2333W 230V heating circuits 1 L 268mm W 94mm H 190mm H1 162mm H2 28mm thread M12x1 tube ø 8mm windings 4 2 hole fixing connection male faston 6.3mm mounting distance 70mm immersion heater connection length 24mm		

spare parts for 418357

No.	510417	Ref. No.	—
	flat gasket fibre ED ø 20mm ID ø 14mm thickness 2mm Qty 1 pcs		

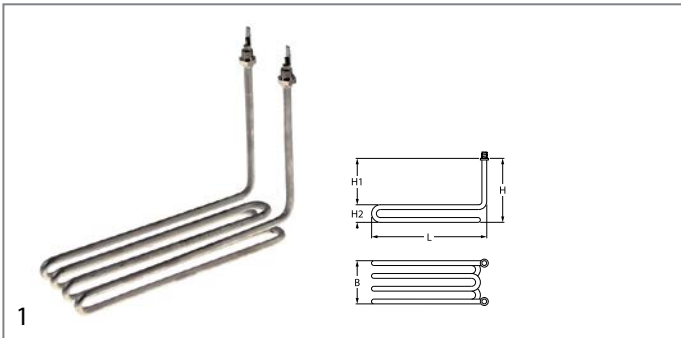
accessories for 418357





No.	361182	Ref. No.	—
	nut thread 1/4" H 5mm nickel-plated brass WS 17 Qty 1 pcs		

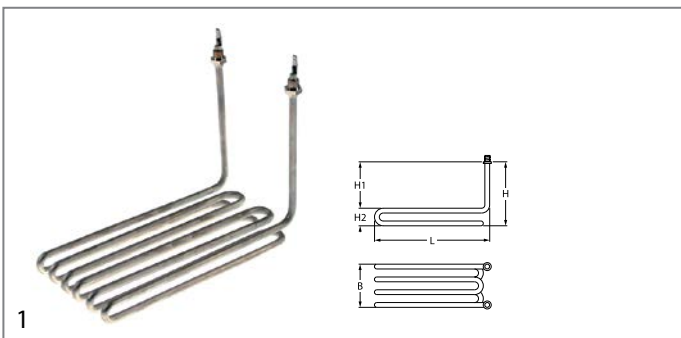
No.	520228	Ref. No.	—
	tooth lock washer ID ø 15.3mm ED ø 24mm steel Qty 1 pcs for thread M14		




No.	550262	Ref. No.	—
	flat gasket copper ED ø 20mm ID ø 14mm thickness 2mm		

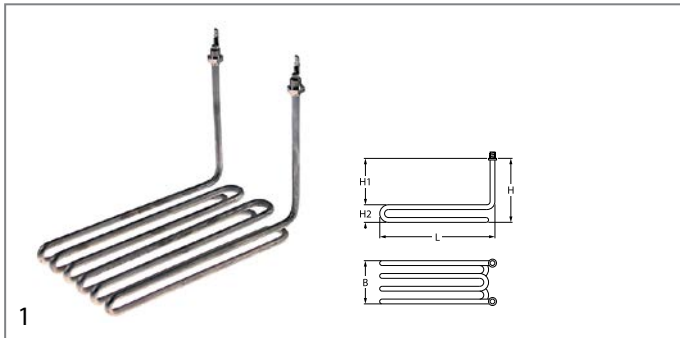
electric components



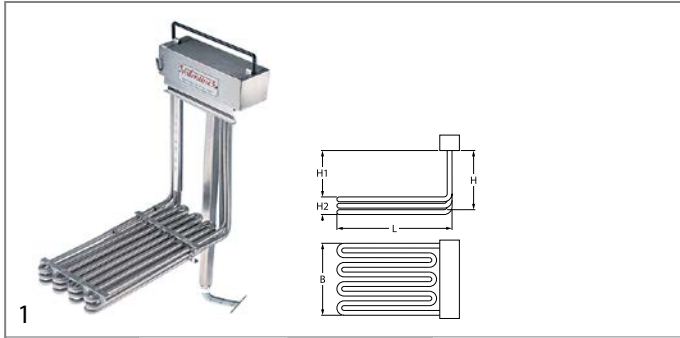
No.	418356	Ref. No.	5184 5184-01
description	heating element 2500W 400V heating circuits 1 L 268mm W 84mm H 190mm H1 161mm H2 29mm thread M12x1 tube ø 8.5mm windings 4 2 hole fixing connection male faston 6.3mm mounting distance 65mm immersion heater connection length 24mm		
spare parts for	418356		
	No.	510417	Ref. No. —
	flat gasket fibre ED ø 20mm ID ø 14mm thickness 2mm Qty 1 pcs		
accessories for	418356		
	No.	361182	Ref. No. —
	nut thread 1/4" H 5mm nickel-plated brass WS 17 Qty 1 pcs		
	No.	520228	Ref. No. —
	tooth lock washer ID ø 15.3mm ED ø 24mm steel Qty 1 pcs for thread M14		
	No.	550262	Ref. No. —
	flat gasket copper ED ø 20mm ID ø 14mm thickness 2mm		



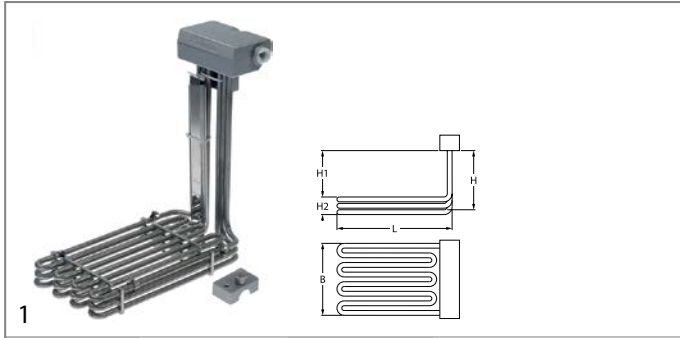
No.	418354	Ref. No.	5181 5181-01
description	heating element 3600W 230V heating circuits 1 L 268mm W 138mm H 190mm H1 162mm H2 28mm thread M12x1 tube ø 8mm windings 6 2 hole fixing connection male faston 6.3mm mounting distance 122mm immersion heater connection length 25mm		
spare parts for	418354		
	No.	510417	Ref. No. —
	flat gasket fibre ED ø 20mm ID ø 14mm thickness 2mm Qty 1 pcs		
accessories for	418354		
	No.	520228	Ref. No. —
	tooth lock washer ID ø 15.3mm ED ø 24mm steel Qty 1 pcs for thread M14		
	No.	550262	Ref. No. —
	flat gasket copper ED ø 20mm ID ø 14mm thickness 2mm		



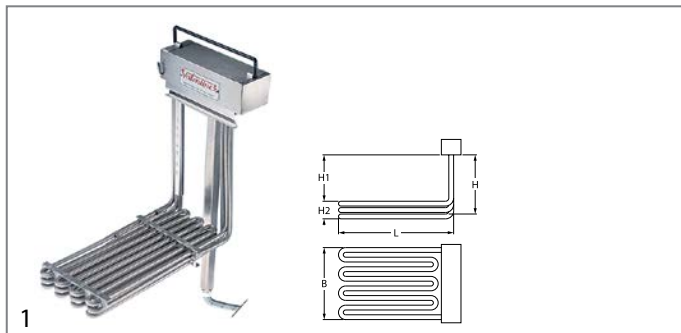
No.	418355	Ref. No.	5182 5182-01
description	heating element 3600W 400V heating circuits 1 L 268mm W 145mm H 190mm H1 160mm H2 30mm thread M12x1 tube ø 8.5mm windings 6 2 hole fixing connection male faston 6.3mm mounting distance 135mm immersion heater connection length 23mm		
accessories for	418355		
	No.	361182	Ref. No. —
	nut thread 1/4" H 5mm nickel-plated brass WS 17 Qty 1 pcs		
	No.	510417	Ref. No. —
	flat gasket fibre ED ø 20mm ID ø 14mm thickness 2mm Qty 1 pcs		
	No.	520228	Ref. No. —
	tooth lock washer ID ø 15.3mm ED ø 24mm steel Qty 1 pcs for thread M14		
	No.	550262	Ref. No. —
	flat gasket copper ED ø 20mm ID ø 14mm thickness 2mm		



No.	418363	Ref. No.	1934-03
description	heating element 11000W 400V		



No.	419249	Ref. No.	B0030-02SA
description	heating element 7200W 440V heating circuits 3 L 285mm W 150mm H 283mm H1 244mm H2 39mm tube ø 8.3mm		



No.	418343	Ref. No.	1934-03 1937-03
------------	--------	-----------------	--------------------

description heating element 8000W 400V heating circuits 3 L 332mm W 150mm H 274mm H1 244mm H2 30mm cable length 530mm special fixing connection cable immersion heater

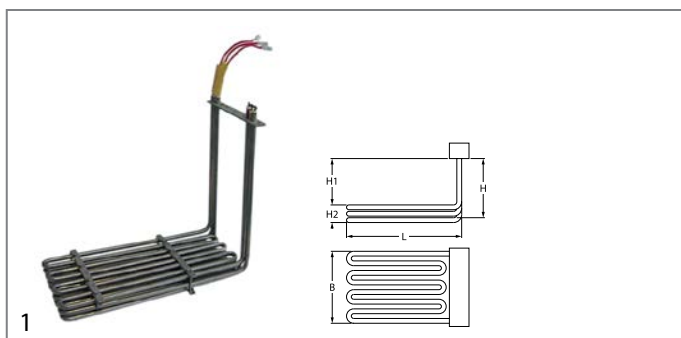
spare parts for 418343

	No.	390113	Ref. No.	0705-02 70502
--	------------	--------	-----------------	------------------

safety thermostat switch-off temp. 240°C 3-pole 3NC 20A probe ø 4mm probe L 157mm capillary pipe 890mm capillary pipe isolated 350mm gland nut probe SS

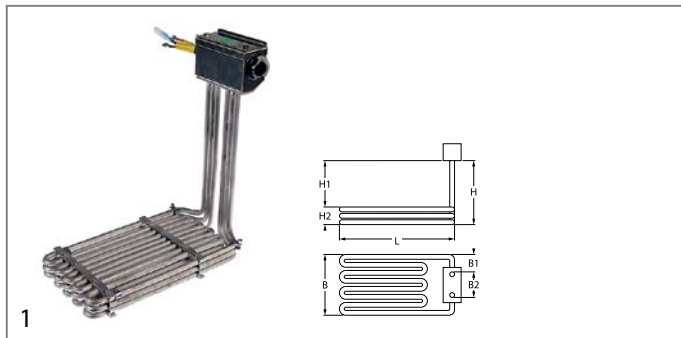
	No.	415357	Ref. No.	N/A
--	------------	--------	-----------------	-----

heating element 8000W 400V heating circuits 3 L 335mm W 150mm H 270mm rectangular flange connection cable fryer heaters H1 233mm H2 37mm hole distance 30mm hole ø 5mm flange length 165mm flange width 20mm cable length 150mm tube ø 8.5mm



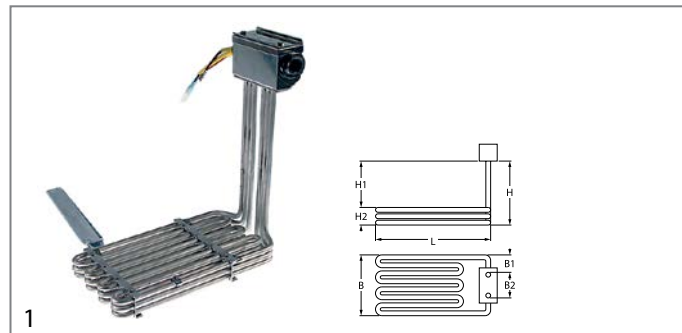
No.	415357	Ref. No.	N/A
------------	--------	-----------------	-----

description heating element 8000W 400V heating circuits 3 L 335mm W 150mm H 270mm rectangular flange connection cable fryer heaters H1 233mm H2 37mm hole distance 30mm hole ø 5mm flange length 165mm flange width 20mm cable length 150mm tube ø 8.5mm



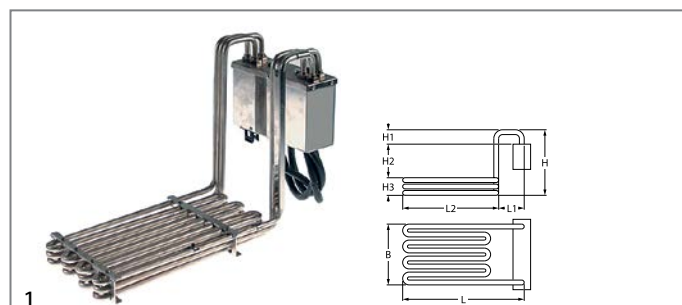
No.	418340	Ref. No.	6302-35A 6302-SA
------------	--------	-----------------	---------------------

description heating element 11000W 400V heating circuits 3 L 285mm W 150mm H 255mm H1 225mm H2 30mm special fixing connection cable tube ø 8.5mm immersion heater fryer W1 40mm W2 70mm



No.	418358	Ref. No.	6291-1SA 6291-SA
------------	--------	-----------------	---------------------

description heating element 7200W 400V heating circuits 3 L 285mm W 150mm H 255mm H1 225mm H2 30mm cable length 110mm special fixing tube ø 8mm immersion heater W1 40mm W2 70mm



No.	418353	Ref. No.	3101-02
------------	--------	-----------------	---------

description heating element 7000W 400V heating circuits 3 L 395mm W 157mm H 268mm L1 80mm L2 315mm H1 30mm H2 238mm H3 44mm special fixing tube ø 8.5mm immersion heater

spare parts for 418353

	No.	300092	Ref. No.	3278
--	------------	--------	-----------------	------

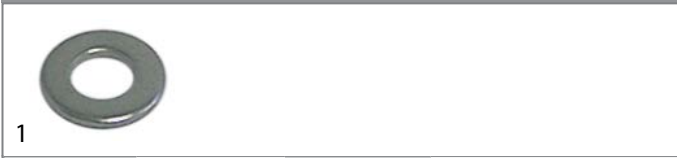
microswitch with plunger 400V 16A 2NO connection male faston 6.3mm ambient temperature max. 85°C mounting distance 22mm type XTD22A21 actuating force: 150g fryer black

	No.	390113	Ref. No.	0705-02 70502
--	------------	--------	-----------------	------------------

safety thermostat switch-off temp. 240°C 3-pole 3NC 20A probe ø 4mm probe L 157mm capillary pipe 890mm capillary pipe isolated 350mm gland nut probe SS

accessories

washers



No.	560112	Ref. No.	4105 4815-05
------------	--------	-----------------	-----------------

description plain washer ID ø 5.3mm ED ø 10mm thickness 1mm SS Qty 20 pcs DIN 125A for thread M5



No.	693500	Ref. No.	6120
------------	--------	-----------------	------

description hook for heating element



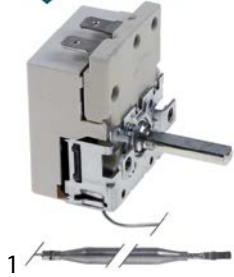
thermostats

control and safety thermostats

EGO

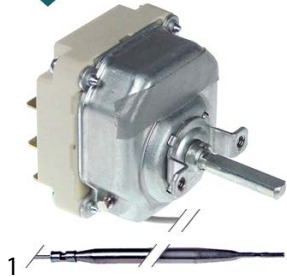
control thermostats

55.18_ series



No.	375989	Ref. No.	TT
description	thermostat t.max. 190°C temperature range 130-190°C 1-pole 1NO 16A probe ø 6mm probe L 118mm capillary pipe 890mm gland nut shaft ø 6x4.6mm shaft L 23mm shaft position upper rotation 270°		

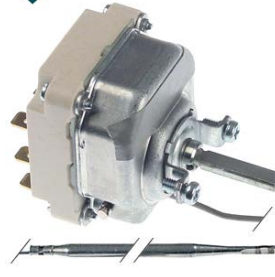
55.34_ series



No.	375771	Ref. No.	6310-SA
description	thermostat t.max. 190°C temperature range 106-190°C 3-pole 1CO/2NO 16A probe ø 4mm probe L 157mm capillary pipe 1780mm capillary pipe isolated 1500mm gland nut shaft ø 6x4.6mm shaft L 23mm shaft position upper rotation 270°		




No.	375766	Ref. No.	320101 3201-02 3201-04 3201-2 5162
description	thermostat t.max. 190°C temperature range 120-190°C 3-pole 1CO/2NO 16A probe ø 6mm probe L 133mm capillary pipe 880mm capillary pipe isolated 350mm gland nut shaft ø 6x4.6mm shaft L 23mm shaft position upper rotation 270°		



No.	375763	Ref. No.	6311 6311-SA
description	thermostat t.max. 206°C temperature range 120-206°C 3-pole 1CO/2NO 16A probe ø 4mm probe L 157mm capillary pipe 1780mm capillary pipe isolated 1500mm gland nut shaft ø 6x4.6mm shaft L 23mm shaft position upper rotation 270°		



No.	391050	Ref. No.	B0040-11 B0040-11SA B0040-13	
description	thermostat t.max. 206°C temperature range 95-190°C 3-pole 1CO/2NO 16A probe ø 4mm probe L 157mm capillary pipe 1780mm capillary pipe isolated 1500mm gland nut shaft ø 6x4.6mm shaft L 23mm shaft position upper rotation 285° with knob			
spare parts for	391050			
	No.	112855	Ref. No.	B0090-02
	knob t.max. 190°C temperature range 95-190°C ø 50mm shaft ø 6x4.6mm shaft flat left rotation 285° black			

safety thermostats

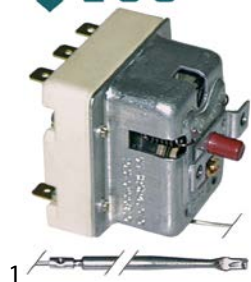
55.11_ series



No.	375109	Ref. No.	9021-53
description	safety thermostat switch-off temp. 240°C 1-pole 16A probe ø 4mm probe L 91mm capillary pipe 530mm capillary pipe isolated 350mm gland nut probe SS		



55.32_series



No.	390113	Ref. No.	0705-02 70502
description	safety thermostat switch-off temp. 240°C 3-pole 3NC 20A probe ø 4mm probe L 157mm capillary pipe 890mm capillary pipe isolated 350mm gland nut probe SS		



No.	376027	Ref. No.	631451 6314-SA
description	safety thermostat switch-off temp. 295°C 3-pole 20A probe ø 4mm probe L 128mm capillary pipe 1770mm capillary pipe isolated 1750mm gland nut probe SS		

55.33_series



No.	375764	Ref. No.	6313-51 6313-SA
description	safety thermostat switch-off temp. 282°C 3-pole 20A probe ø 4mm probe L 157mm capillary pipe 1770mm capillary pipe isolated 1490mm gland nut probe SS		

accessories

gland nut accessories

ducts



No.	550560	Ref. No.	1990
description	gland duct ET M12x0.75 IT M9x1 probe ø max. 6.4mm WS 17 stainless steel		
accessories for	550560		



No.	345351	Ref. No.	1049 3203
description	nut thread M12x0.75 H 1.6mm WS 14 chrome-plated brass Qty 1 pcs		



No.	550562	Ref. No.	4146 6348-17
description	plain washer ID ø 12mm ED ø 18mm thickness 1.5mm SS Qty 1 pcs		

gaskets



No.	510452	Ref. No.	3204
description	gasket silicone ø 7.8mm L 7mm		



No.	375770	Ref. No.	0705-04
description	safety thermostat switch-off temp. 285°C 3-pole 20A probe ø 4mm probe L 128mm capillary pipe 870mm capillary pipe isolated 350mm gland nut probe SS		



No.	550561	Ref. No.	3204
description	insulation for gland nut		



bolts with slot



1			
No.	520243	Ref. No.	3202
description	bolt with slot thread M9x1 Qty 10 pcs nickel-plated brass		
accessories for	520243		
	No.	510591	Ref. No. —
	washer with slot ED ø 8.8mm slit width 1.2mm Qty 10		
	No.	510592	Ref. No. —
	gasket ø 8x8.7mm Qty 10 pcs slotted silicone		

cam switches

on/off



1			
No.	300074	Ref. No.	2693-01
description	cam switch 4 operating positions 2NO sequence 0-1-0-1 16A shaft ø 6x4.6mm shaft L 23mm connection male faston 6.3mm ceramic		



1			
No.	300021	Ref. No.	0719
description	cam switch 4 operating positions 4NO sequence 0-1-0-1 16A shaft ø 6x4.6mm shaft L 23mm connection screw ceramic		



1			
No.	300102	Ref. No.	0718
description	cam switch 4 operating positions 4NO sequence 0-1-0-1 32A shaft ø 6x4.6mm shaft L 23mm connection screw ceramic		

5-position



1			
No.	300105	Ref. No.	3770
description	cam switch 5 operating positions 3NO/1CO sequence 0-1-2-3-4 32A shaft ø 6x4.6mm shaft L 23mm connection screw 5-position ceramic		

switches and momentary switches

microswitches

roller-lever actuated

with mounting components



1			
No.	348222	Ref. No.	B0045-21 B0045-47SA B0090-38SA
description	microswitch with handle with a switch 250V 6A 1NO connection cable 1500mm L 14mm with fixing sheet type with mountign material		

pin-plunger actuated



1			
No.	345060	Ref. No.	5172 6321
description	microswitch with plunger 250V 16A 1NO connection male faston 6.3mm ambient temperature max. 85°C mounting distance 22mm type BS1010 actuating force: 350g red stroke 9mm		



1			
No.	300092	Ref. No.	3278
description	microswitch with plunger 400V 16A 2NO connection male faston 6.3mm ambient temperature max. 85°C mounting distance 22mm type XTD22A21 actuating force: 150g fryer black		



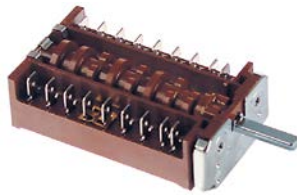
1			
No.	345285	Ref. No.	1973
description	microswitch with plunger 400V 16A 2NO connection male faston 6.3mm ambient temperature max. 85°C mounting distance 22mm type XTD22J actuating force: 400g black		



3 operating positions

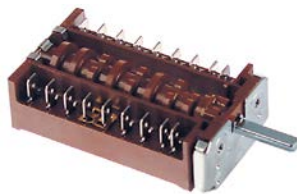


1	No.	346469	Ref. No.	6317-51
description	cam switch 3 operating positions 3NO/1CO sequence 0-1-2 32A shaft ø 6x4.6mm shaft L 23mm connection screw			



1	No.	347157	Ref. No.	6316-52
description	cam switch 3 operating positions 8NO sequence 0-1-2 16A shaft ø 6x4.6mm shaft L 23mm connection male faston 6.3mm plastic			

4 operating positions



1	No.	346468	Ref. No.	6316-51
description	cam switch 4 operating positions sequence 0-1-2-3 shaft ø 6x4.6mm connection male faston 8-pole			

lamps

indicator lights

indicator lights 3-piece (housing, lens and bulb)

ø16.2mm



1	No.	359686	Ref. No.	3270
description	indicator light lens clear			



1	No.	359688	Ref. No.	3272
description	indicator light lens green			



1	No.	359687	Ref. No.	3271
description	indicator light lens yellow			



1	No.	359685	Ref. No.	3269
description	lamp socket mounting measurements ø16.2mm socket E10			

accessories for	359685			
	No.	359686	Ref. No.	3270
	indicator light lens clear			
	No.	359687	Ref. No.	3271
	indicator light lens yellow			
	No.	359688	Ref. No.	3272
	indicator light lens green			
	No.	359689	Ref. No.	—
	indicator light lens red			

lamps

neon light bulbs



1	No.	359585	Ref. No.	739
description	neon light bulb socket E10 230V green ø 10mm L 28mm			

accessories for	359585			
	No.	359060	Ref. No.	—
	lamp socket mounting measurements ø16.2mm socket E10 connection screw			

	No.	359685	Ref. No.	3269
	lamp socket mounting measurements ø16.2mm socket E10			



1	No.	359602	Ref. No.	0728 733
description	neon light bulb socket E14 230V clear ø 14mm L 30mm			

indicator lights (complete)

ø10mm

with screw socket



1	No. 359867	Ref. No. 6324
description	indicator light ø 10mm 230V clear connection male faston 4.8mm socket screw base	



1	No. 359870	Ref. No. 6326 V2000+BB+GREEN
description	indicator light ø 10mm 230V green connection male faston 4.8mm socket screw base	



1	No. 359872	Ref. No. 6327 6-3408
description	indicator light ø 10mm 230V red connection male faston 4.8mm socket screw base	



1	No. 359871	Ref. No. 5175 6325
description	indicator light ø 10mm 230V yellow connection male faston 4.8mm socket screw base	

ø12mm

with plug-in socket



1	No. 359288	Ref. No. 9024-56
description	indicator light ø 12mm 230V green	



1	No. 359393	Ref. No. 9024-55
description	indicator light ø 12mm 230V red with cable	

LED

indicator lamps

mounting diameter 8mm



1	No. 360749	Ref. No. B0060-04
description	indicator light LED mounting ø 8mm green 230VAC connection F2.8x0.8 mounting thread M8x0.75	



1	No. 360750	Ref. No. B0060-03
description	indicator light LED mounting ø 8mm red 230VAC connection F2.8x0.8 mounting thread M8x0.75	



1	No. 360747	Ref. No. B0060-1
description	indicator light LED mounting ø 8mm white 230VAC connection F2.8x0.8 mounting thread M8x0.75	



1	No. 360748	Ref. No. B0060-02
description	indicator light LED mounting ø 8mm yellow 230VAC connection F2.8x0.8 mounting thread M8x0.75	

screw-on/push-on fit

neon light bulbs



1	No. 359585	Ref. No. 739
description	neon light bulb socket E10 230V green ø 10mm L 28mm	

accessories for	359585		
------------------------	--------	--	--



No.	359060	Ref. No.	—
description	lamp socket mounting measurements ø16.2mm socket E10 connection screw		



No.	359685	Ref. No.	3269
description	lamp socket mounting measurements ø16.2mm socket E10		




1	No. 359602	Ref. No. 0728 733
description	neon light bulb socket E14 230V clear ø 14mm L 30mm	




timers

audible timers

 <p>1</p>			
No.	350166	Ref. No.	3190 6341
description	audible timer operation time 15min ø 52mm shaft ø 6x4.6mm shaft L 23mm mounting distance 28mm		
accessories for	350166		
	No.	111924	Ref. No. 6335
description	knob time 15min t.max.°C ø 50mm shaft ø 6x4.6mm shaft flat right black		

alarm devices


buzzers


 <p>1</p>			
No.	350224	Ref. No.	6338
description	buzzer 110-230VAC/VDC connection F2,8x0,5 thread thread M25x1.5 mounting ø 25.5mm		

contactors

BENEDIKT & JÄGER

power contactors

 <p>1</p>			
No.	381492	Ref. No.	6281-12
description	power contactor resistive load 20A 230VAC (AC3/400V) 4kW main contacts 3NO auxiliary contacts 1NC connection screw type K1-09D01		

 <p>1</p>			
No.	380773	Ref. No.	3251 6282-11
description	power contactor resistive load 25A 230VAC (AC3/400V) 10A/4kW main contacts 3NO auxiliary contacts 1NC connection screw connection type K3-10A01230		

ISKRA (FANAL)


power contactors

 <p>1</p>			
No.	380413	Ref. No.	3252 6281 6281-11
description	power contactor resistive load 20A 400VAC (AC3/400V) 8.5A/5.5kW main contacts 3NO auxiliary contacts 1NC connection screw connection type Fanal DSL7 01 type ISKRA K07M 01		

probes

producer-specific probes

core probes

 <p>1</p>			
No.	379871	Ref. No.	5175
description	core temperature probe thermocouple K (NiCr-Ni) cable PTFE probe -40 up to +250°C cable -40 up to +250°C connection plug probe ø3x100mm thread M16 cable length 2.2m handle ø 10mm handle length 40mm		

fuses

fine fuses

fine fuse holders

 <p>1</p>			
No.	550558	Ref. No.	6401 6401-SA
description	fuse holder suitable fuse ø5x20mm ø 12.5mm 10A rated 250V connection F4.8		



electronic components

resistors



No.	359502	Ref. No.	0742 6328
description	resistor 120KOhm 3W		



No.	360751	Ref. No.	6339-27 6339-27-01SA
description	resistor 27KOhm 25W with cable cable length 400mm		

equipment-specific units

for deep fryers

spare parts and accessories



No.	550892	Ref. No.	3155
description	blind screw connection		

miscellaneous



No.	693476	Ref. No.	1860
description	bar for outlet		



No.	693509	Ref. No.	3172
description	bar for outlet		



No.	694971	Ref. No.	6128
description	bar for outlet L 240mm W 80mm WS 8		



No.	693478	Ref. No.	0663
description	base plate for oil tap		



No.	693479	Ref. No.	0676 6433
description	drain fitting thread 1"		

accessories for 693479



No.	512073	Ref. No.	—
description	flat gasket rubber ED ø 31mm ID ø 22mm thickness 2mm Qty 1 pcs		



No.	532020	Ref. No.	—
description	O-ring EPDM thickness 1.78mm ID ø 31.47mm Qty 10 pcs		



No.	693500	Ref. No.	6120
description	hook for heating element		





No.	693480	Ref. No.	0665
description	slide for oil tap		





knobs


universal knobs


 <p>1</p>			
No.	112562	Ref. No.	6331 6333-01
description	knob 0-ECO-FRY t.max.°C ø 50mm shaft ø 6x4.6mm shaft flat upper black		


 <p>1</p>			
No.	112496	Ref. No.	6333-01
description	knob 0-SCHMELZEN-1 ø 50mm shaft ø 6x4.6mm shaft flat upper black		

 <p>1</p>			
No.	111926	Ref. No.	6332
description	knob 0-SCHMELZEN-BACKEN ø 50mm shaft ø 6x4.6mm shaft flat upper		

 <p>1</p>			
No.	110231	Ref. No.	5166
description	knob switch 0-1-0-1 t.max.°C ø 50mm shaft ø 6x4.6mm shaft flat upper black		


 <p>1</p>			
No.	111925	Ref. No.	6336
description	knob thermostat t.max. 190°C ø 50mm shaft ø 6x4.6mm shaft flat left black temperature range 110-190°C rotation 270°		


 <p>1</p>			
No.	111944	Ref. No.	5168
description	knob thermostat t.max. 190°C ø 50mm shaft ø 6x4.6mm shaft flat left black temperature range 120-190°C rotation 270°		


 <p>1</p>			
No.	111924	Ref. No.	6335
description	knob time 15min t.max.°C ø 50mm shaft ø 6x4.6mm shaft flat right black		


producer-specific knobs


<p>VALENTINE</p>			
 <p>1</p>			
No.	112851	Ref. No.	B0090-01
description	knob 0-ECO-1 ø 50mm shaft ø 6x4.6mm shaft flat upper rotation 180° black		


 <p>1</p>			
No.	112562	Ref. No.	6331 6333-01
description	knob 0-ECO-FRY t.max.°C ø 50mm shaft ø 6x4.6mm shaft flat upper black		


 <p>1</p>			
No.	112496	Ref. No.	6333-01
description	knob 0-SCHMELZEN-1 ø 50mm shaft ø 6x4.6mm shaft flat upper black		


			
1			
No.	111926	Ref. No.	6332
description	knob 0-SCHMELZEN-BACKEN ø 50mm shaft ø 6x4.6mm shaft flat upper		


			
1			
No.	111944	Ref. No.	5168
description	knob thermostat t.max. 190°C ø 50mm shaft ø 6x4.6mm shaft flat left black temperature range 120-190°C rotation 270°		


			
1			
No.	110231	Ref. No.	5166
description	knob switch 0-1-0-1 t.max.°C ø 50mm shaft ø 6x4.6mm shaft flat upper black		


			
1			
No.	111924	Ref. No.	6335
description	knob time 15min t.max.°C ø 50mm shaft ø 6x4.6mm shaft flat right black		


			
1			
No.	111930	Ref. No.	0712-02
description	knob switch zero mark t.max.°C temperature range°C ø 42mm shaft ø 6x4.6mm shaft flat upper white		

accessories			
fascias			
			
1			
No.	111931	Ref. No.	3191
description	bezel 15min		

			
1			
No.	112855	Ref. No.	B0090-02
description	knob t.max. 190°C temperature range 95-190°C ø 50mm shaft ø 6x4.6mm shaft flat left rotation 285° black		

			
1			
No.	111932	Ref. No.	0716
description	bezel switch and thermostat		

			
1			
No.	111925	Ref. No.	6336
description	knob thermostat t.max. 190°C ø 50mm shaft ø 6x4.6mm shaft flat left black temperature range 110-190°C rotation 270°		

handles and hand wheels			
mushroom cap handles			
			
1			
No.	693477	Ref. No.	0670
description	mushroom cap handle thread M5 handle ø 32mm L 25mm plastic black		



bracket handles




1

No.	693501	Ref. No.	5134
description	pull handle L 112mm H 30mm mounting distance 85mm		

baskets

fryer baskets

VALENTINE




1

No.	970475	Ref. No.	9024-60
description	fryer basket L1 245mm W1 285mm H1 125mm hinged handle		




1

No.	970889	Ref. No.	9021-57
description	fryer basket L1 250mm W1 220mm H1 100mm		



1

No.	970474	Ref. No.	9021-57
description	fryer basket L1 260mm W1 220mm H1 100mm hinged handle		




1

No.	970148	Ref. No.	3180
description	fryer basket L1 268mm W1 160mm H1 120mm		




1

No.	970482	Ref. No.	3181
description	fryer basket L1 268mm W1 255mm H1 120mm		




1

No.	970478	Ref. No.	5145 5145-02
description	fryer basket L1 270mm W1 160mm H1 100mm L2 495mm H3 170mm chrome-plated steel		




1

No.	970476	Ref. No.	5146 5146-02
description	fryer basket L1 270mm W1 240mm H1 100mm		



1

No.	970477	Ref. No.	5147 5147-02
description	fryer basket L1 270mm W1 340mm H1 100mm		

			
1			
No.	970479	Ref. No.	5148 5148-02
description	fryer basket L1 270mm W1 440mm H1 100mm		

			
1			
No.	970480	Ref. No.	3179
description	fryer basket L1 280mm W1 210mm H1 120mm		

			
1			
No.	970803	Ref. No.	B2080-01
description	fryer basket L1 285mm W1 155mm H1 135mm		


			
1			
No.	970461	Ref. No.	6417-02 6417-04
description	fryer basket L1 285mm W1 157mm H1 135mm		

			
1			
No.	970462	Ref. No.	6419-02 6419-04
description	fryer basket L1 285mm W1 202mm H1 135mm		

			
1			
No.	970484	Ref. No.	6420-02 6420-04 B6080-01
description	fryer basket L1 285mm W1 250mm H1 135mm L2 530mm H2 170mm H3 275mm SS		

			
1			
No.	970463	Ref. No.	6418-02
description	fryer basket L1 290mm W1 350mm H1 135mm		

			
1			
No.	970465	Ref. No.	1955
description	fryer basket L1 300mm W1 160mm H1 140mm		

			
1			
No.	970466	Ref. No.	1957
description	fryer basket L1 310mm W1 360mm H1 150mm		

			
1			
No.	970780	Ref. No.	6419-04 B2580-01
description	fryer basket W1 202mm L1 285mm H1 135mm		



valves and tank inlets

ball valves

universal

ball valves with lever handle




1


No.	520280	Ref. No.	5137
description	ball valve connection 1/2" IT - 1/2" IT DN15 total length 50mm with lever handle handle length 85mm		


producer-specific

VALENTINE



1

No.	514362	Ref. No.	6431
description	ball valve inlet 1" ET outlet 1" IT L 73mm without handle		
accessories for	514362		
	No.	Ref. No.	6432
	514363		
	nut thread 1" H 12.5mm SS WS 46 Qty 1 pcs		



1


No.	514363	Ref. No.	6432
description	nut thread 1" H 12.5mm SS WS 46 Qty 1 pcs		

fastening material

nuts


hexagonal nuts

hexagonal nuts metric (without norm)



1


No.	345351	Ref. No.	1049 3203
description	nut thread M12x0.75 H 1.6mm WS 14 chrome-plated brass Qty 1 pcs		



1

No.	550559	Ref. No.	3273
description	nut thread M16x1 H 5.5mm WS 19		

hexagonal nuts inch thread




1

No.	514363	Ref. No.	6432
description	nut thread 1" H 12.5mm SS WS 46 Qty 1 pcs		

washers

washers


DIN 125A



1

No.	560112	Ref. No.	4105 4815-05
description	plain washer ID ø 5.3mm ED ø 10mm thickness 1mm SS Qty 20 pcs DIN 125A for thread M5		

miscellaneous



1

No.	550562	Ref. No.	4146 6348-17
description	plain washer ID ø 12mm ED ø 18mm thickness 1.5mm SS Qty 1 pcs		