

# Professionall

Solutii profesionale pentru echipamente profesionale



**GAS COMPONENTS**



**ELECTRIC COMPONENTS**



**WATER TECHNOLOGY**



**MECHANICAL COMPONENTS**



**TOOLS**

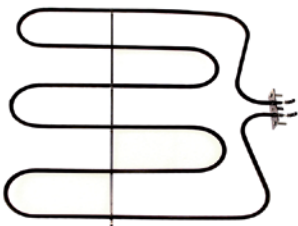
Spare parts suitable for

# SMEG




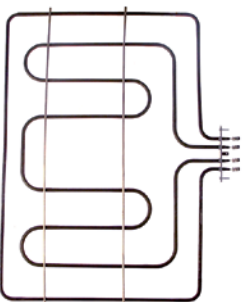
# heating elements

## heating elements for ovens



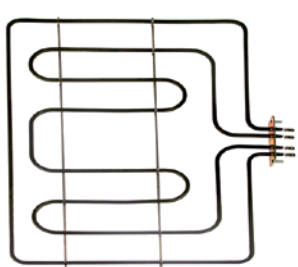
1

<b>No.</b>	418512	<b>Ref. No.</b>	38087 806890366
<b>description</b>	heating element 1190W 220V heating circuits 1 L 375mm W 400mm L1 47mm L2 327mm W1 183mm W2 30mm flange length 70mm flange width 22mm hole distance 56mm bridge length 420mm tube ø 6.3mm connection male faston 6.3mm windings 3 rectangular flange mounting thread M4		
<b>accessories for</b>	418512		
	<b>No.</b>	510368	<b>Ref. No.</b> —
	gasket L 70mm W 23.5mm hole ø 5mm hole distance 56mm FIBER thickness 2mm for heating element		



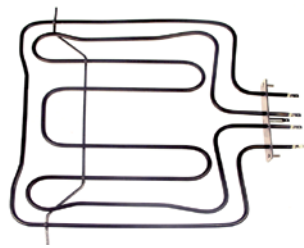
1

<b>No.</b>	418542	<b>Ref. No.</b>	806890580 806890592
<b>description</b>	heating element 1750W 240V heating circuits 2 L 387mm W 519mm L1 31mm L2 357mm W1 230mm W2 63mm flange length 100mm flange width 22mm hole distance 86mm bridge length 532mm hole ø M4mm tube ø 6.5mm connection male faston 6.3mm rectangular flange dry heating element		



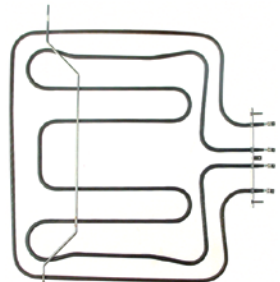
1

<b>No.</b>	418514	<b>Ref. No.</b>	50271 806890477
<b>description</b>	heating element 2300W 230V heating circuits 2 L 384mm W 526mm L1 30mm L2 354mm W1 233mm W2 60mm flange length 100mm flange width 22mm hole distance 86mm bridge length 545mm hole ø M4mm tube ø 6.3mm connection male faston 6.3mm rectangular flange oven grill settin		



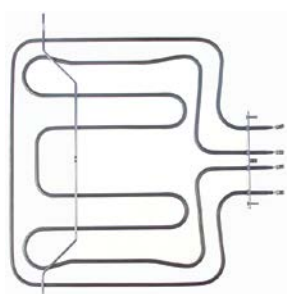
1

<b>No.</b>	418511	<b>Ref. No.</b>	56537 806890527
<b>description</b>	heating element 2700W 230V heating circuits 2 L 370mm W 390mm L1 42mm L2 328mm W1 142mm W2 105mm flange length 150mm flange width 24mm bridge length 460mm hole distance 134mm hole ø M4mm tube ø 6.3mm connection male faston 6.3mm connection length 55mm rectangular flange dry heating element oven		



1

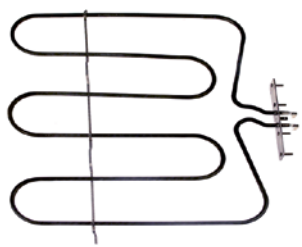
<b>No.</b>	418539	<b>Ref. No.</b>	806890278
<b>description</b>	heating element 2830W 240V heating circuits 2 L 370mm W 390mm L1 42mm L2 328mm W1 142mm W2 105mm flange length 150mm flange width 24mm bridge length 460mm hole distance 134mm hole ø M4mm tube ø 6.3mm connection male faston 6.3mm connection length 35mm rectangular flange dry heating element		



1

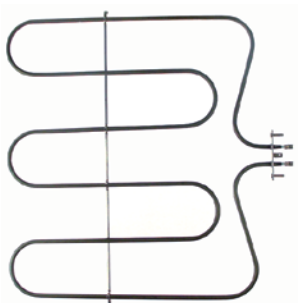
<b>No.</b>	418540	<b>Ref. No.</b>	806890409
<b>description</b>	heating element 2830W 240V heating circuits 2 L 370mm W 390mm L1 42mm L2 328mm W1 142mm W2 105mm flange length 150mm flange width 24mm bridge length 460mm hole distance 134mm tube ø 6.3mm connection male faston 6.3mm connection length 55mm rectangular flange dry heating element mounting thread M4		

1 electric components




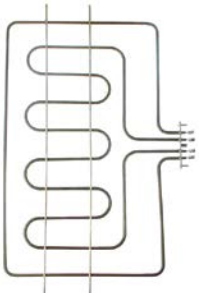
1

<b>No.</b>	418515	<b>Ref. No.</b>	20876 806890230 806890275
<b>description</b>	heating element 300W 230V heating circuits 1 L 375mm W 400mm L1 57mm L2 320mm W1 185mm W2 30mm flange length 150mm flange width 24mm hole distance 134/56mm bridge length 460mm hole ø M4mm tube ø 6.3mm connection male faston 6.3mm windings 3 151		



1

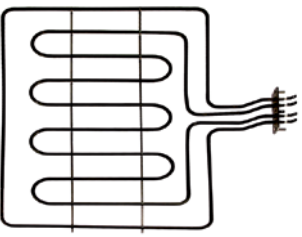
<b>No.</b>	418541	<b>Ref. No.</b>	806890276
<b>description</b>	heating element 600W 230V heating circuits 1 L 375mm W 400mm L1 17mm L2 351mm W1 185mm W2 30mm flange length 70mm flange width 22mm hole distance 56mm bridge length 420mm thread M4 tube ø 6.3mm connection male faston 6.3mm windings 3 rectangular flange dry heating element		
<b>accessories for</b>	418541		
	<b>No.</b>	510368	<b>Ref. No.</b> —
	 gasket L 70mm W 23.5mm hole ø 5mm hole distance 56mm FIBER thickness 2mm for heating element		



2

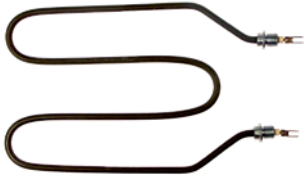
<b>No.</b>	418543	<b>Ref. No.</b>	806890438
<b>description</b>	heating element 4200W 240V heating circuits 2 L 365mm W 540mm L1 40mm L2 325mm W1 240mm W2 61mm flange length 100mm flange width 22mm hole distance 87mm bridge length 610mm hole ø M4mm tube ø 6.3mm connection male faston 6.3mm rectangular flange dry heating element		

heating elements for hot counters







1

<b>No.</b>	418513	<b>Ref. No.</b>	50272 806890471
<b>description</b>	heating element 4300W 230V heating circuits 2 L 460mm W 540mm L1 100mm L2 360mm W1 240mm W2 60mm flange length 100mm flange width 22mm hole distance 88mm bridge length 550mm hole ø M4mm tube ø 6.5mm connection male faston 6.3mm rectangular flange dry heating element oven grill settin		




1


<b>No.</b>	418538	<b>Ref. No.</b>	806890454
<b>description</b>	heating element 200W 230V heating circuits 1 L 245mm W 160mm W1 36mm W2 88mm connection length 23mm tube ø 6.3mm connection male faston 6.3mm dry heating element for vitrine L1 15mm L2 55mm L3 175mm 2 hole fixing thread 1/4" mounting distance 84mm		
<b>accessories for</b>	418538		
	<b>No.</b>	361182	<b>Ref. No.</b> —
	 nut thread 1/4" H 5mm nickel-plated brass WS 17 Qty 1 pcs		
	<b>No.</b>	510417	<b>Ref. No.</b> —
	 flat gasket fibre ED ø 20mm ID ø 14mm thickness 2mm Qty 1 pcs		
	<b>No.</b>	520228	<b>Ref. No.</b> —
	 tooth lock washer ID ø 15.3mm ED ø 24mm steel Qty 1 pcs for thread M14		
	<b>No.</b>	550262	<b>Ref. No.</b> —
	 flat gasket copper ED ø 20mm ID ø 14mm thickness 2mm		




heating elements for convection





1

<b>No.</b>	418537	<b>Ref. No.</b>	45697 806890437
<b>description</b>	heating element 1330/2660W 230V heating circuits 2 ID ø 222mm ED ø 235mm L 245mm H 38mm L1 10mm W1 60mm H1 13mm H2 25mm flange length 100mm flange width 22mm hole distance 86mm connection male faston 6.3mm connection length 43mm tube ø 6.5mm convection heating element mounting thread M4 rectangular flange with thread bolt		
<b>accessories for</b>	418537		
	<b>No.</b>	550938	<b>Ref. No.</b> 784131065
	gasket L 103mm W 25mm thickness 1mm for heating element		




1

<b>No.</b>	418584	<b>Ref. No.</b>	806890593
<b>description</b>	heating element 1550W 230V heating circuits 1 ID ø 180mm ED ø 192mm L 210mm H 28mm L1 12mm W1 31mm H1 11mm H2 18mm flange length 70mm flange width 22mm hole distance 28mm connection male faston 6.3mm tube ø 6mm convection heating element hole ø 5mm rectangular flange		
<b>accessories for</b>	418584		
	<b>No.</b>	510368	<b>Ref. No.</b> —
	gasket L 70mm W 23.5mm hole ø 5mm hole distance 56mm FIBER thickness 2mm for heating element		




1

<b>No.</b>	418536	<b>Ref. No.</b>	693490094
<b>description</b>	heating element 1550W 230V heating circuits 1 ID ø 188mm ED ø 195mm L 215mm H 32mm L1 15mm W1 33mm H1 9mm H2 21mm flange length 100mm flange width 22mm hole distance 83mm connection male faston 6.3mm connection length 38mm tube ø 6.3mm convection heating element mounting thread M4 rectangular flange with thread bolt		





1

<b>No.</b>	418510	<b>Ref. No.</b>	20875 806890232 806890274
<b>description</b>	heating element 1700W 230V heating circuits 1 rectangular flange with thread bolt		



1

<b>No.</b>	418535	<b>Ref. No.</b>	806890217 806890355 806890397 806890591 806890807 806890882
<b>description</b>	heating element 2000W 230V heating circuits 1 ID ø 180mm ED ø 192mm L 210mm H 28mm L1 13mm W1 30mm H1 10mm H2 18mm flange length 70mm flange width 22mm hole distance 28mm connection male faston 6.3mm connection length 37mm tube ø 6.3mm convection heating element hole ø 4.5mm rectangular flange		
<b>accessories for</b>	418535		
	<b>No.</b>	510368	<b>Ref. No.</b> —
	gasket L 70mm W 23.5mm hole ø 5mm hole distance 56mm FIBER thickness 2mm for heating element		





1

<b>No.</b>	418571	<b>Ref. No.</b>	806890378
<b>description</b>	heating element 2600W 230V heating circuits 2 ID ø 180mm ED ø 192mm L 212mm H 34mm L1 10mm W1 60mm H1 10mm H2 24mm flange length 100mm flange width 22mm hole distance 86mm connection male faston 6.3mm tube ø 6.3mm convection heating element mounting thread M4 rectangular flange with thread bolt		


			
1			
<b>No.</b>	418509	<b>Ref. No.</b>	64102 806890550
<b>description</b>	heating element 2660W 230V heating circuits 1 ID ø 210mm ED ø 223mm L 245mm H 34mm L1 14mm W1 30mm H1 6mm H2 24mm flange length 100mm flange width 23mm hole distance 86mm connection male faston 6.3mm connection length 38mm tube ø 6.3mm convection heating element mounting thread M4 rectangular flange with thread bolt		
<b>For models:</b>	ALFA135XM		


			
1			
<b>No.</b>	418507	<b>Ref. No.</b>	46286 806890449 806890589 806890656
<b>description</b>	heating element 2700W 230V heating circuits 1 ID ø 180mm ED ø 195mm L 210mm H 30mm L1 10mm W1 30mm H1 11mm H2 25mm flange length 70mm flange width 22mm hole distance 26mm connection male faston 6.3mm connection length 193mm tube ø 6.3mm convection heating element hole ø 4.5mm rectangular flange		
<b>accessories for</b>	418507		
		<b>No.</b> 510368	<b>Ref. No.</b> —
	gasket L 70mm W 23.5mm hole ø 5mm hole distance 56mm FIBER thickness 2mm for heating element		


			
1			
<b>No.</b>	418508	<b>Ref. No.</b>	40656 806890118 806890386
<b>description</b>	heating element 2700W 230V heating circuits 1 ID ø 181mm ED ø 194mm L 208mm H 30mm L1 10mm W1 30mm H1 10mm H2 24mm flange length 70mm flange width 22mm hole distance 56mm connection male faston 6.3mm tube ø 6.3mm convection heating element mounting thread M4 rectangular flange with thread bolt		
<b>accessories for</b>	418508		
		<b>No.</b> 510368	<b>Ref. No.</b> —
	gasket L 70mm W 23.5mm hole ø 5mm hole distance 56mm FIBER thickness 2mm for heating element		

accessories


flange gaskets

			
1			
<b>No.</b>	550938	<b>Ref. No.</b>	784131065
<b>description</b>	gasket L 103mm W 25mm thickness 1mm for heating element		

			
1			
<b>No.</b>	550940	<b>Ref. No.</b>	784130392
<b>description</b>	gasket L 70mm W 31mm hole distance 55mm thickness 1.2mm for heating element		

			
1			
<b>No.</b>	550937	<b>Ref. No.</b>	784130396
<b>description</b>	gasket L 71mm W 21mm hole ø 5mm hole distance 57mm fibre thickness 1mm for heating element		


clamps

			
1			
<b>No.</b>	550939	<b>Ref. No.</b>	895090304
<b>description</b>	probe clip for pipe ømm for probe ø 6mm		

energy regulators

EGO

1-circuit


			
1			
<b>No.</b>	380015	<b>Ref. No.</b>	23921 816810066 818731068
<b>description</b>	energy regulator 230V 13A single-circuit turn direction right shaft ø 6x4.6mm shaft L 23mm mounting thread M4 power release 6-100% no. 50.57021.010		




# thermostats


## bi-metal thermostats


### safety bi-metal thermostats


 <p>1</p>			
<b>No.</b>	390531	<b>Ref. No.</b>	36627 818730541
<b>description</b>	bi-metal safety thermostat hole distance 40mm switch-off temp. 150°C 2NC 2-pole 16A connection F6.3 2 hole fixing		


### bi-metal thermostats

 <p>1</p>			
<b>No.</b>	390570	<b>Ref. No.</b>	818730567 818731477 818731550
<b>description</b>	bi-metal thermostat hole distance 23.5mm switch-off temp. 160°C 1NC 1-pole 16A 250V connection F6.3		

 <p>1</p>			
<b>No.</b>	390294	<b>Ref. No.</b>	818730424
<b>description</b>	bi-metal thermostat hole distance 23.5mm switch-off temp. 70°C 1NC 1-pole 16A 250V connection F6.3 2 hole fixing Ty.60 t.max. 210°C		

 <p>1</p>			
<b>No.</b>	390532	<b>Ref. No.</b>	19215 28636 818730273 818730424
<b>description</b>	bi-metal thermostat hole distance 23.5mm switch-off temp. 70°C 1NC 1-pole 16A connection F6.3 2 hole fixing		

 <p>1</p>			
<b>No.</b>	390533	<b>Ref. No.</b>	23038 698731043 818730332 818731042
<b>description</b>	bi-metal thermostat hole distance 23.5mm switch-off temp. 160°C 1NC 1-pole 16A connection F6.3 M5		

 <p>1</p>			
<b>No.</b>	390429	<b>Ref. No.</b>	818731097
<b>description</b>	bi-metal thermostat switch-off temp. 130°C 10A		


## control and safety thermostats

### EGO

#### control thermostats

#### 55.10/19\_ series

 <p>1</p>			
<b>No.</b>	375831	<b>Ref. No.</b>	818730033
<b>description</b>	thermostat t.max. 270°C temperature range 40-270°C 1-pole 1NO 16A probe ø 3mm probe L 145mm capillary pipe 900mm capillary pipe isolated 900mm gland nut shaft ø 6x4.6mm shaft L 23mm shaft position upper rotation 270°		

 <p>1</p>			
<b>No.</b>	375822	<b>Ref. No.</b>	818730269
<b>description</b>	thermostat t.max. 275°C temperature range 50-275°C 1-pole 1NO probe ø 3mm probe L 133mm capillary pipe 900mm capillary pipe isolated 900mm gland nut shaft ø 6x4.6mm shaft L 43mm shaft position right rotation 247°		

 <p>1</p>			
<b>No.</b>	375823	<b>Ref. No.</b>	818731128
<b>description</b>	thermostat t.max. 296°C temperature range 50-275°C 1-pole 1NO 16A probe ø 3mm probe L 133mm capillary pipe 900mm capillary pipe isolated 900mm gland nut shaft ø 6x4.6mm shaft L 43mm shaft position upper		

1 electric components




<b>No.</b>	375824	<b>Ref. No.</b>	818730130
<b>description</b>	thermostat t.max. 320°C temperature range 50-320°C 1-pole 1NO 16A probe ø 3mm probe L 145mm capillary pipe 900mm capillary pipe isolated 900mm gland nut shaft L 23mm shaft position upper		




<b>No.</b>	390040	<b>Ref. No.</b>	818731106
<b>description</b>	thermostat t.max. 90°C temperature range 30-90°C 1-pole 1CO 16A probe ø 6mm probe L 130mm capillary pipe 2040mm capillary pipe isolated 1940mm gland nut shaft ø 6x4.6mm shaft L 23mm shaft position upper rotation 270° probe material SS		

55.14\_ series



<b>No.</b>	375826	<b>Ref. No.</b>	818730265
<b>description</b>	thermostat t.max. 290°C 1-pole gland nut		



<b>No.</b>	375825	<b>Ref. No.</b>	818730514
<b>description</b>	thermostat t.max. 300°C 1-pole gland nut		

55.17\_ series



<b>No.</b>	375933	<b>Ref. No.</b>	818731124 818731175
<b>description</b>	thermostat t.max. 295°C temperature range 62-295°C 1-pole 1CO 16A probe ø 3.03mm probe L 152mm capillary pipe 1060mm capillary pipe isolated 960mm gland nut shaft ø 6x4.6mm shaft L 23mm shaft position° shaft position rotation 270°		



<b>No.</b>	375815	<b>Ref. No.</b>	42763 818730616
<b>description</b>	thermostat t.max. 297°C 1-pole probe ø 3mm probe L 180mm capillary pipe isolatedmm gland nut shaft ø 6x4.6mm shaft L 33mm shaft position upper		



<b>No.</b>	390745	<b>Ref. No.</b>	818730616
<b>description</b>	thermostat t.max. 298°C 1-pole 1NO probe ø 3mm probe L 182mm capillary pipe 1000mm capillary pipe isolated 980mm gland nut shaft ø 6x4.6mm shaft L 33mm shaft position upper rotation 230° probe material SS		

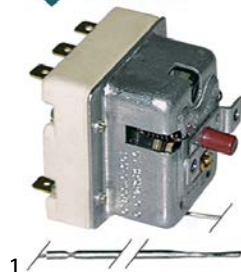


safety thermostats

55.32\_series



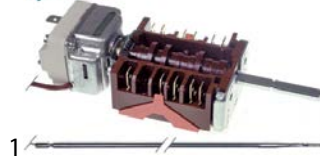
<b>No.</b>	375228	<b>Ref. No.</b>	44553 818731004
<b>description</b>	safety thermostat switch-off temp. 350°C 3-pole 20A probe ø 3mm probe L 188mm capillary pipe 900mm capillary pipe isolated 900mm gland nut probe SS		
<b>For models:</b>	ALFA135XM		



<b>No.</b>	390142	<b>Ref. No.</b>	818731004
<b>description</b>	safety thermostat switch-off temp. 360°C 3-pole 20A probe ø 3.1mm probe L 188mm capillary pipe 1490mm capillary pipe isolated 800mm gland nut probe SS		

control thermostats with operation switch

55.10/19\_series



<b>No.</b>	375828	<b>Ref. No.</b>	691730200
<b>description</b>	thermostat t.max. 294°C 1-pole 1NO probe ø 3.1mm probe L 226mm capillary pipe 900mm capillary pipe isolatedmm gland nut		



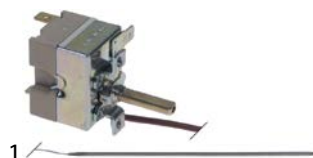
<b>No.</b>	375829	<b>Ref. No.</b>	691730184
<b>description</b>	thermostat t.max. 320°C temperature range 50-320°C 1-pole 1NO probe ø 3.1mm probe L 226mm capillary pipe 900mm capillary pipe isolatedmm gland nut shaft ø 6x4.6mm rotation 270°		

CAMPINI

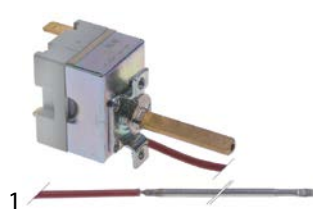
control thermostats



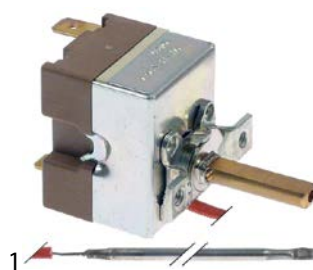
<b>No.</b>	375816	<b>Ref. No.</b>	13286 818730176
<b>description</b>	thermostat t.max. 270°C temperature range 50-270°C 1-poleA probe ø 3mm probe L 135mm capillary pipe 1450mm capillary pipe isolatedmm gland nut shaft Lmm		



<b>No.</b>	375934	<b>Ref. No.</b>	Ty 95
<b>description</b>	thermostat t.max. 280°C temperature range 50-280°C 1-pole 1NO 16A probe ø 3mm probe L 185mm capillary pipe 960mm capillary pipe isolated 700mm gland nut shaft ø 6x4.6mm shaft L 23mm shaft position upper rotation 270° probe material SS 250V		



<b>No.</b>	375919	<b>Ref. No.</b>	818730616
<b>description</b>	thermostat t.max. 292°C temperature range 50-292°C 1-pole 1NO 16A probe ø 3mm probe L 170mm capillary pipe 970mm capillary pipe isolated 970mm gland nut shaft ø 6x4.6mm shaft L 33mm shaft position upper rotation 230° probe material SS 250V		



<b>No.</b>	390973	<b>Ref. No.</b>	818730461
<b>description</b>	thermostat t.max. 320°C 1-pole 1NO 16A probe ø 3mm probe L 135mm capillary pipe 950mm capillary pipe isolated 950mm shaft ø 6x4.6mm shaft L 23mm shaft position upper rotation 270°		

JAEGER

control thermostats

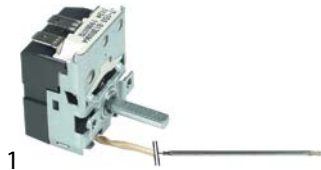


<b>No.</b>	375827	<b>Ref. No.</b>	818730556
<b>description</b>	thermostat t.max. 90°C temperature range 30-90°C 1-pole 1CO probe ø 6mm probe L 100mm capillary pipe 1500mm shaft ø 6x4.6mm shaft L 15mm shaft position upper rotation 270°		



various

control thermostats



<b>No.</b>	375811	<b>Ref. No.</b>	60444 818731175
<b>description</b>	thermostat t.max. 250°C temperature range 50-250°C 1-pole shaft ø 6x4.6mm		
<b>For models:</b>	ALFA135XM		



<b>No.</b>	375812	<b>Ref. No.</b>	31307
<b>description</b>	thermostat t.max. 280°C temperature range 50-280°C 1-pole 1NO probe ø 3.5mm probe L 110mm capillary pipe 950mm shaft ø 6x4.6mm shaft position upper rotation 270°		

accessories

probe clips

clamps



<b>No.</b>	550939	<b>Ref. No.</b>	895090304
<b>description</b>	probe clip for pipe ømm for probe ø 6mm		

connecting bows



<b>No.</b>	550060	<b>Ref. No.</b>	018290023
<b>description</b>	connecting bow long for thermostat Qty 1 pcs		

switches and momentary switches


rocker/momentary rocker switches

19x13mm



<b>No.</b>	301279	<b>Ref. No.</b>	814490954
<b>description</b>	rocker switch mounting measurements 19x13mm black 2NO 250V 6A 0-I connection male faston 4.8mm protection IP40 2-pole		




<b>No.</b>	301067 <sup>1</sup>	<b>Ref. No.</b>	814490439	
<b>description</b>	rocker switch mounting measurements 19x13mm red 2NO 250V 13A illuminated 0-I connection male faston 4.8mm protection IP40			
<b>accessories for</b>	301067			
	<b>No.</b>	301064	<b>Ref. No.</b>	—
	protective cover for pressure switch external size 23.4x17.4mm internal size 19x13mm H 7.5mm clear mounting measurementsmm			

<sup>1</sup>illuminated

push/momentary push switches

19x13mm



<b>No.</b>	346542 <sup>1</sup>	<b>Ref. No.</b>	814490496	
<b>description</b>	push switch mounting measurements 19x13mm yellow 2NO 250V 16A illuminated connection male faston 4.8mm ambient temperature max. 85°C protection IP40			
<b>accessories for</b>	346542			
	<b>No.</b>	346541	<b>Ref. No.</b>	—
	protective cover for rocker switch external size 23.4x17.4mm internal size 19x13mm H 9.5mm mounting measurementsmm			

<sup>1</sup>illuminated

microswitches

lever actuated





<b>No.</b>	346838	<b>Ref. No.</b>	26594 814490215
<b>description</b>	microswitch with double lever 250V 16A 2CO connection male faston 6.3mm L 40mm ambient temperature max. 125°C mounting distancecm type VRSR01DA1 actuating force: 160g		
<b>For models:</b>	ALFA135XM		




<b>No.</b>	346861	<b>Ref. No.</b>	814490182
<b>description</b>	microswitch with double lever 250V 16A 2CO connection male faston 6.3mm L 82mm ambient temperature max. 125°C mounting distance 22mm type AH2AF actuating force: 80g		




			
1			
<b>No.</b>	345255	<b>Ref. No.</b>	814490424
<b>description</b>	microswitch with lever 250V 16A 1CO connection male faston 6.3mm L 35mm L1 28mm ambient temperature max. 125°C mounting distance 22mm actuating force: 136g lever length 27mm		

			
1			
<b>No.</b>	346862	<b>Ref. No.</b>	694490516
<b>description</b>	microswitch with double lever 250V 16A 2CO connection male faston 6.3mm ambient temperature max. 85°C with fixing sheet type AH2AF		


			
1			
<b>No.</b>	346863	<b>Ref. No.</b>	694490661
<b>description</b>	microswitch with lever 250V 10A 1CO ambient temperature max. 85°C		

pin-plunger actuated

M10

			
1			
<b>No.</b>	346864	<b>Ref. No.</b>	814490072
<b>description</b>	microswitch with plunger thread M10x0.75 thread L 6mm 250V 10A 1NO connection male faston 6.3mm stroke 3mm mounting distance 22mm ambient temperature max. 125°C actuating force: 200g		

miscellaneous

			
1			
<b>No.</b>	346834	<b>Ref. No.</b>	58008 814490532
<b>description</b>	microswitch with plunger 250V 16A 1NO connection male faston 6.3mm ambient temperature max. 125°C		

system switches

SMEG


push buttons

			
1			
<b>No.</b>	346860	<b>Ref. No.</b>	768550033
<b>description</b>	push button ø 21mm steam black		

element holders


			
1			
<b>No.</b>	346835	<b>Ref. No.</b>	58006 768412841
<b>description</b>	element holder ø 24mm for push buttons ø 21mm		

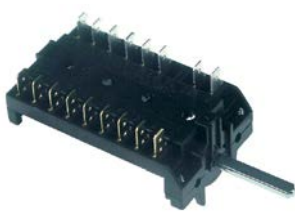
switches

			
1			
<b>No.</b>	346834	<b>Ref. No.</b>	58008 814490532
<b>description</b>	microswitch with plunger 250V 16A 1NO connection male faston 6.3mm ambient temperature max. 125°C		

cam switches


7-position

			
1			
<b>No.</b>	301289	<b>Ref. No.</b>	811730316
<b>description</b>	cam switch 7 operating positions 7NO sequence 0-1-2-3-4-5-6 16A shaft ø 6x4.6mm shaft L 34mm connection male faston 6.3mm 7-position plastic		

1


<b>No.</b>	300203	<b>Ref. No.</b>	50273 811730232
<b>description</b>	cam switch 7-position shaft ø 6x4.6mm connection male faston		



1

<b>No.</b>	300202	<b>Ref. No.</b>	63228 811730316
<b>description</b>	cam switch 7-position shaft ø 6x4.6mm shaft L 34mm connection male faston 6.3mm		


### 2 operating positions



1

<b>No.</b>	301280	<b>Ref. No.</b>	811730194 811730206
<b>description</b>	cam switch 2 operating positions 1NO sequence 0-1 16A shaft ø 6x4.6mm shaft L 23mm connection male faston 6.3mm		


### 3 operating positions



1


<b>No.</b>	301244	<b>Ref. No.</b>	811730166
<b>description</b>	cam switch 3 operating positions sequence 1-0-2 shaft ø 6x4.6mm connection male faston		

### 7 operating positions



1


<b>No.</b>	301243	<b>Ref. No.</b>	811730128
<b>description</b>	cam switch 7 operating positions shaft ø 6x4.6mm connection male faston 8-pole		



1


<b>No.</b>	301242	<b>Ref. No.</b>	811730074
<b>description</b>	cam switch 7 operating positions shaft ø 6x4.6mm shaft L 40mm connection male faston 8-pole		

### operation switches



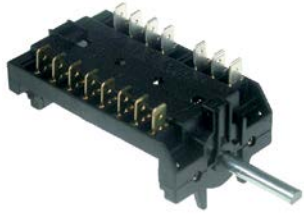
1

<b>No.</b>	300201	<b>Ref. No.</b>	51691 811730241
<b>description</b>	cam switch 3 operating positions sequence 0-1-2 shaft ø 6x4.6mm connection male faston 6-pole rotation 310°		
<b>For models:</b>	ALFA135XM		



1


<b>No.</b>	301241	<b>Ref. No.</b>	811730109
<b>description</b>	cam switch 5 operating positions operation switch sequence 0-1-2-3-4 shaft ø 6x4.6mm connection male faston 3-pole ambient temperature max. 330°C		




1


<b>No.</b>	300205	<b>Ref. No.</b>	46172 811730281
<b>description</b>	cam switch 5 operating positions operation switch sequence 0-1-2-3-4 shaft ø 6x4.6mm connection male faston 8-pole ambient temperature max. 318°C		



			
1			
<b>No.</b>	347655	<b>Ref. No.</b>	811730383
<b>description</b>	operation switch 3 operating positions 8NO 16A sequence 0-1-2 shaft ø 6x4.6mm shaft L 33mm connection male faston 6.3mm plastic		

## encoders and potentiometers

			
1			
<b>No.</b>	300206	<b>Ref. No.</b>	58016 816810234
<b>description</b>	potentiometer		

			
1			
<b>No.</b>	300208	<b>Ref. No.</b>	816810291
<b>description</b>	potentiometer		


## lamps


### indicator lights


#### indicator lights 2-piece (lens and indicator lamp)

#### indicator light lenses


#### ø 8mm (type RL-2)


			
1			
<b>No.</b>	359819	<b>Ref. No.</b>	763870058
<b>description</b>	indicator light lens green Qty 1 pcs ø 8mm		

			
1			
<b>No.</b>	359833	<b>Ref. No.</b>	13720 763870059
<b>description</b>	indicator light lens red Qty 1 pcs ø 8mm		





			
1			
<b>No.</b>	359820	<b>Ref. No.</b>	763870140
<b>description</b>	indicator light lens yellow Qty 1 pcs ø 8mm		



#### ø12mm (type SDK-3)

			
1			
<b>No.</b>	359277	<b>Ref. No.</b>	763870038
<b>description</b>	indicator light housings mounting measurements ø12mm green Qty 1 pcs		


			
1			
<b>No.</b>	359278	<b>Ref. No.</b>	763870023 763870044
<b>description</b>	indicator light housings mounting measurements ø12mm yellow Qty 1 pcs		


#### indicator lamps for socket type RL

			
1			
<b>No.</b>	359818	<b>Ref. No.</b>	13725 824610124 824610138 824610243
<b>description</b>	indicator light 230V clear connection male faston 6.3mm		
<b>accessories for</b>	359818		
			
	<b>No.</b>	359820	<b>Ref. No.</b> 763870140
	indicator light lens yellow Qty 1 pcs ø 8mm		
			
	<b>No.</b>	359833	<b>Ref. No.</b> 13720 763870059
	indicator light lens red Qty 1 pcs ø 8mm		
			
	<b>No.</b>	359948	<b>Ref. No.</b> —
	indicator light lens clear Qty 1 pcs ø 8mm		

			
1			
<b>No.</b>	359817	<b>Ref. No.</b>	24526 8246101140 8246101191 824610124 824610125 824610190 824610226 824610243 824610244 824610505
<b>description</b>	indicator light 230V green connection male faston 6.3mm		
<b>accessories for</b>	359817		
	<b>No.</b>	359819	<b>Ref. No.</b> 763870058
	 indicator light lens green Qty 1 pcs ø 8mm		


indicator lamps for socket type SRZ / SDK / SDY / SFK


			
1			
<b>No.</b>	359130	<b>Ref. No.</b>	824610038 824610536
<b>description</b>	indicator lamp 230V clear connection male faston 6.3mm ø 8mm		

			
1			
<b>No.</b>	359132	<b>Ref. No.</b>	824610129
<b>description</b>	indicator lamp green 250V connection male faston 6.3mm protection IP54 ambient temperature max. 85°C		

indicator lights (complete)


ø10mm  
with plug-in socket


			
1			
<b>No.</b>	359139	<b>Ref. No.</b>	50168 814610691 824610596
<b>description</b>	indicator light ø 10mm green 230V connection male faston 6.3mm Qty 1 pcs		
<b>For models:</b>	ALFA135XM		

			
1			
<b>No.</b>	359140	<b>Ref. No.</b>	50169 824610597
<b>description</b>	indicator light ø 10mm yellow 230V connection male faston 6.3mm Qty 1 pcs		
<b>For models:</b>	ALFA135XM		

ø13mm

with plug-in socket


			
1			
<b>No.</b>	359936	<b>Ref. No.</b>	763870077
<b>description</b>	indicator light housings mounting measurements ø13mm green square		


			
1			
<b>No.</b>	359940	<b>Ref. No.</b>	763870045
<b>description</b>	indicator light housings mounting measurements ø13mm orange square		

screw-on/push-on fit

light bulbs

for ovens

			
1			
<b>No.</b>	359610	<b>Ref. No.</b>	20387 824610072 824610092 824610198 824610591
<b>description</b>	light bulb t.max. 300°C socket E14 15W 230V ø 22mm L 47mm lens L 20mm for oven lamp type Philips		

			
1			
<b>No.</b>	359612	<b>Ref. No.</b>	21288 824610176 824610204
<b>description</b>	light bulb t.max. 300°C socket E14 25W 230V ø 25mm L 56mm lens L 30mm for oven lamp type Philips		
<b>For models:</b>	ALFA135XM		

halogen lamp

for socket G4 / G6.35 / G9



1

<b>No.</b>	359946	<b>Ref. No.</b>	824610747
<b>description</b>	halogen lamp socket G9 230V 40W temp.-resist. 300°C		

fluorescent lamps

fluorescent lamps

G23



1

<b>No.</b>	359933	<b>Ref. No.</b>	824610550 824610640
<b>description</b>	fluorescent lamp socket G23 L 237mm 11W 230V		

oven lamps

universal oven lamps

mounting diameter 35.5mm



1

<b>No.</b>	359695	<b>Ref. No.</b>	20594 696050018 696050051 696050052
<b>description</b>	oven lamp mounting ø 35.5mm 230V 25W socket E14 temp.-resist. 300°C		



1

<b>No.</b>	359934	<b>Ref. No.</b>	696050082
<b>description</b>	oven lamp mounting ø 35.5mm 230V 25W socket E14 temp.-resist. 300°C connection male faston 6.3mm hard glas		

55x100mm






1

<b>No.</b>	359697	<b>Ref. No.</b>	51926 754131162
<b>description</b>	gasket		
<b>For models:</b>	ALFA135XM		



1

<b>No.</b>	359696	<b>Ref. No.</b>	21069 696050050
<b>description</b>	oven lamp complete L 100mm W 55mm 230V 25W socket E14 temp.-resist. 300°C connection male faston 6.3mm		
<b>For models:</b>	ALFA135XM		
<b>spare parts for</b>	359696		
	<b>No.</b>	359612	<b>Ref. No.</b> 21288 824610176 824610204
	light bulb t.max. 300°C socket E14 25W 230V ø 25mm L 56mm lens L 30mm for oven lamp type Philips		
	<b>No.</b>	359697	<b>Ref. No.</b> 51926 754131162
	gasket		
	<b>No.</b>	359938	<b>Ref. No.</b> —
	borosilicate glass L 115mm W 69mm		

lamps

light bulbs



1

<b>No.</b>	359610	<b>Ref. No.</b>	20387 824610072 824610092 824610198 824610591
<b>description</b>	light bulb t.max. 300°C socket E14 15W 230V ø 22mm L 47mm lens L 20mm for oven lamp type Philips		



1

<b>No.</b>	359612	<b>Ref. No.</b>	21288 824610176 824610204
<b>description</b>	light bulb t.max. 300°C socket E14 25W 230V ø 25mm L 56mm lens L 30mm for oven lamp type Philips		
<b>For models:</b>	ALFA135XM		

halogen lamps

for socket G4 / G6.35 / G9



1

<b>No.</b>	359946	<b>Ref. No.</b>	824610747
<b>description</b>	halogen lamp socket G9 230V 40W temp.-resist. 300°C		



## lamp accessories

## sockets



1


<b>No.</b>	359935	<b>Ref. No.</b>	826050153
<b>description</b>	lamp socket socket E14		

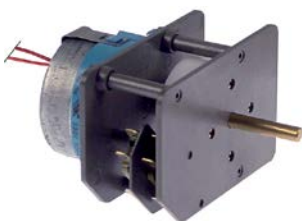
## timers

## programme timers




1

<b>No.</b>	360361	<b>Ref. No.</b>	818800121
<b>description</b>	programme timer FIBER P04 engines 1 chambers 2 operation time 60min 230V shaft $\varnothing$ 6x4.6mm shaft L 20mm manuf. no. P045J02M801 motor type M51BJ0R6400		
<b>spare parts for</b>	360361		
	<b>No.</b>	360673	<b>Ref. No.</b> —
	motor kit pinion $\varnothing$ 6.8mm teeth 15 230V voltage AC 50/60Hz turn direction clockwise motor $\varnothing$ 48mm H 18.5mm motor type UDS-40NE1RNZ165 cable length 150mm with holder		



1

<b>No.</b>	360360	<b>Ref. No.</b>	818800137
<b>description</b>	timer FIBER P04 engines 1 chambers 2 operation time 60min 230V shaft $\varnothing$ 6x4.6mm shaft L 30mm manuf. no. P045J02M803 motor type M51BJ0R6400		
<b>spare parts for</b>	360360		
	<b>No.</b>	360673	<b>Ref. No.</b> —
	motor kit pinion $\varnothing$ 6.8mm teeth 15 230V voltage AC 50/60Hz turn direction clockwise motor $\varnothing$ 48mm H 18.5mm motor type UDS-40NE1RNZ165 cable length 150mm with holder		

## electric timers



1

<b>No.</b>	350125	<b>Ref. No.</b>	818800147 818800181
<b>description</b>	timer JV101 operation time 60min time spreadmin 2CO/1NO permanent position yes impulse electric 16A shaft $\varnothing$ 6x4.6mm shaft L 34mm mounting distance 28mm 3-pole 230V chambers 2		



1

<b>No.</b>	350127	<b>Ref. No.</b>	698800138 948800080
<b>description</b>	timer MI1 operation time 60min 2CO/1NO permanent position yes impulse electric 16A shaft $\varnothing$ 6x4.6mm shaft L 32mm mounting distance 28mm connection lateral 250V 3-pole		



1


<b>No.</b>	350213	<b>Ref. No.</b>	818800190
<b>description</b>	timer MI1 operation time 60min time spreadmin 2CO/1NO permanent position yes impulse electric 16A shaft $\varnothing$ 6x4.6mm shaft L 32mm mounting distance 28mm connection lateral 250V 3-pole		






1


<b>No.</b>	360362	<b>Ref. No.</b>	818800128
<b>description</b>	timer MS65 operation time 60min time spreadmin 2CO/1NO at 250V 16A permanent position yes impulse electric shaft $\varnothing$ 6x4.6mm shaft L 22mm connection rear front measurements $\varnothing$ 78mm 3 holes 1-pole 230V		




 <p>1</p>			
<b>No.</b>	350108	<b>Ref. No.</b>	23560 59213 818800079
<b>description</b>	timer MS65 operation time 60min time spreadmin 2CO/1NO at 250V 16A permanent position yes impulse electric shaft ø 6x4.6mm shaft L 34mm mounting distance 28mm connection lateral 3-pole		
<b>For models:</b>	ALFA135XM		


 <p>1</p>							
<b>No.</b>	360363	<b>Ref. No.</b>	3749 900553 948800035 948800062 980081				
<b>description</b>	timer MS65 without bell operation time 60min with buzzer 50Hz 230V						
<b>spare parts for</b>	360363						
 <table border="1"> <tr> <td><b>No.</b></td> <td>350108</td> <td><b>Ref. No.</b></td> <td>23560 59213 818800079</td> </tr> </table> <p>timer MS65 operation time 60min time spreadmin 2CO/1NO at 250V 16A permanent position yes impulse electric shaft ø 6x4.6mm shaft L 34mm mounting distance 28mm connection lateral 3-pole</p>				<b>No.</b>	350108	<b>Ref. No.</b>	23560 59213 818800079
<b>No.</b>	350108	<b>Ref. No.</b>	23560 59213 818800079				


 <p>1</p>			
<b>No.</b>	350178	<b>Ref. No.</b>	948800141
<b>description</b>	timer DTJ 1-pole operation time 120min impulse mechanical 1NO at 250V 16A permanent position yes shaft ø 6x4.6mm shaft L 40mm mounting distance 28mm connection lateral		

 <p>1</p>			
<b>No.</b>	350111	<b>Ref. No.</b>	948800080
<b>description</b>	timer DTJ with bell 2-pole operation time 60min impulse mechanical 1NO/1NC at 250V 16A permanent position yes shaft ø 6x4.6mm shaft L 40mm mounting distance 28mm connection lateral		

 <p>1</p>			
<b>No.</b>	350120	<b>Ref. No.</b>	948800141
<b>description</b>	timer M11 with bell 1-pole operation time 120min impulse mechanical 1NO at 250V 16A permanent position yes shaft ø 6x4.6mm shaft 6x4.6mm shaft L 40mm mounting distance 28mm mounting thread M4 connection male faston 6.3mm		


mechanical timers

 <p>1</p>			
<b>No.</b>	350107	<b>Ref. No.</b>	66590 818600056
<b>description</b>	timer C20 with bell 2-pole operation time 90min impulse mechanical 1CO/1NO at 250V 16A permanent position yes shaft ø 6x4.6mm shaft L 24mm mounting distance 28mm connection rear		

 <p>1</p>			
<b>No.</b>	350177	<b>Ref. No.</b>	818600029 948800078
<b>description</b>	timer C53 2-pole operation time 840min impulse mechanical 2NO at 250V 16A permanent position no shaft ø 6x4.6mm shaft L 35mm mounting distance 28mm connection lateral		

alarm devices

buzzer boards

 <p>1</p>			
<b>No.</b>	350109	<b>Ref. No.</b>	38642 817620004 817620013
<b>description</b>	alarm device		
<b>For models:</b>	ALFA135XM		





## contactors

### LOVATO

#### power contactors



1

<b>No.</b>	380690	<b>Ref. No.</b>	44860 816850208
<b>description</b>	power contactor resistive load 20A 230VAC (AC3/400V) 9A/4kW main contacts 2NO auxiliary contacts 2NC connection male faston type 11BGF09T2A230		
<b>For models:</b>	ALFA135XM		



1

<b>No.</b>	380964	<b>Ref. No.</b>	816850242
<b>description</b>	power contactor resistive load 20A 230VAC (AC3/400V) 9A/4kW main contacts 4NO auxiliary contacts connection screw connection type 11BG09T4A230		

## relays

### power relays

#### with DIN rail mounting

#### lateral



1

<b>No.</b>	380701	<b>Ref. No.</b>	816850187
<b>description</b>	power relays FINDER 230VAC 16A 2CO connection male faston 4.8mm DIN rail manuf. no. 62.32.8.230.0008		

## probes

### producer-specific probes

#### probes



1

<b>No.</b>	378031	<b>Ref. No.</b>	697870047 697870109
<b>description</b>	temperature probe PTC 1kOhm cable glass fibre probe -50 up to +150°C cable -50 up to +350°C connection plug thread probe ø6x-100mm cable length 0.95m		



1

<b>No.</b>	378032	<b>Ref. No.</b>	697870037
<b>description</b>	temperature probe PTC 1kOhm cable glass fibre probe -50 up to +150°C cable -50 up to +350°C connection plug thread probe ø6x-100mm cable length 0.95m		

## electronics

### PCBs




1

<b>No.</b>	401598	<b>Ref. No.</b>	691650520
<b>description</b>	control PCB		



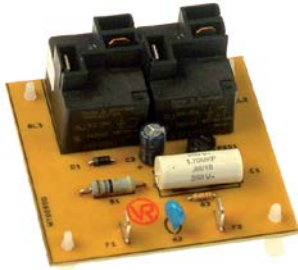
1

<b>No.</b>	402969	<b>Ref. No.</b>	691650857
<b>description</b>	control PCB for oven L 98mm W 77mm		


1

<b>No.</b>	401599	<b>Ref. No.</b>	691650523 811650495
<b>description</b>	control PCB with display		




1

<b>No.</b>	401601	<b>Ref. No.</b>	811650155
<b>description</b>	PCB		



1

<b>No.</b>	401600	<b>Ref. No.</b>	691650680
<b>description</b>	control PCB with keypad		



1

<b>No.</b>	401605	<b>Ref. No.</b>	691650678 811650435
<b>description</b>	PCB		




1

<b>No.</b>	401597	<b>Ref. No.</b>	691650242 811650365
<b>description</b>	display L 85mm W 38mm		


## keypads

### accessories




1

<b>No.</b>	401576	<b>Ref. No.</b>	64445 811650472
<b>description</b>	main PCB		



1

<b>No.</b>	346836	<b>Ref. No.</b>	58007 768550030 768550039
<b>description</b>	push button START black ø 21mm		



1

<b>No.</b>	346837	<b>Ref. No.</b>	58009 768550031 768550040
<b>description</b>	push button STOP black ø 21mm		



## solenoid valves

## solenoid valves (water)

TP

## solenoid valves with reducers



1

<b>No.</b>	370388	<b>Ref. No.</b>	57674 813050142
------------	--------	-----------------	--------------------

**description** solenoid valve single angled 230VAC inlet 3/4" outlet 11.5mm input 3l/min output 0.25l/min t.max. 90°C TP plastic flow regulating valve outlet red flow regulating valve inlet red



1

<b>No.</b>	370389	<b>Ref. No.</b>	44557
------------	--------	-----------------	-------

**description** solenoid valve single angled 230VAC inlet 3/4" outlet 11.5mm input 3l/min output 0.25l/min t.max. 90°C TP plastic flow regulating valve outlet red flow regulating valve inlet red



1

<b>No.</b>	370394	<b>Ref. No.</b>	813050125 813050165
------------	--------	-----------------	------------------------

**description** solenoid valve single angled 230VAC inlet 3/4" outlet 11.5mm input 3l/min output 0.25l/min t.max. 90°C TP plastic flow regulating valve outlet red flow regulating valve inlet red



1

<b>No.</b>	370393	<b>Ref. No.</b>	813050131
------------	--------	-----------------	-----------

**description** solenoid valve single straight 230VAC inlet 3/4" outlet 11.5mm input 20l/min output 0.45l/min t.max. 90°C TP plastic flow regulating valve outlet violet flow regulating valve inlet brilliant-red

## metal

## solenoid valves (various)



1

<b>No.</b>	370390	<b>Ref. No.</b>	23896 813050070
------------	--------	-----------------	--------------------

**description** solenoid valve 230VAC connection 1/8" DN 6mm

## fans

## cross flow fans

## COPREL

## with standard coil



1

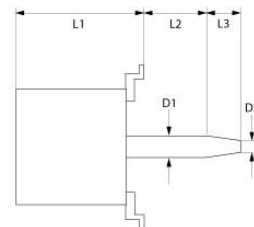
<b>No.</b>	601454	<b>Ref. No.</b>	695210323
------------	--------	-----------------	-----------

**description** cross flow fan TFR 45 roller  $\phi$  45mm roller length 120mm motor position right 230V/50Hz 17W universal bearing silicone connection male faston 6.3mm airflow 85m<sup>3</sup>/h -30 up to +100°C 230V 50Hz

## hot air motors



1



<b>No.</b>	601362	<b>Ref. No.</b>	51137 795210402
------------	--------	-----------------	--------------------

**description****For models:** ALFA135XM**accessories for** 601362

<b>No.</b>	365017	<b>Ref. No.</b>	—
------------	--------	-----------------	---

operating capacitor capacity 5 $\mu$ F 450V tolerance 5% 50/60Hz ambient temperature max. -25 to +85°C  $\phi$  28mm L 54mm M8 plastic connection male faston 6.3mm 16.10.08 protection



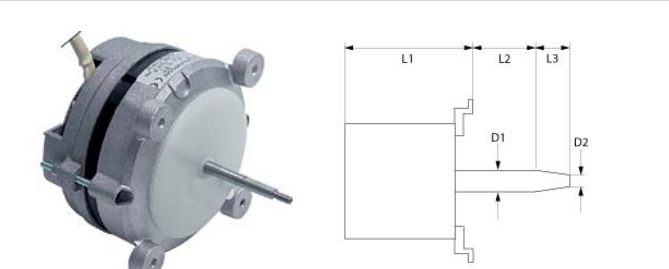
<b>No.</b>	694600	<b>Ref. No.</b>	44552 760570189
------------	--------	-----------------	--------------------

bush for hot air motors  $\phi$  25mm H 10mm seat  $\phi$  8.5mm




<b>No.</b>	694601	<b>Ref. No.</b>	44551 895092518
------------	--------	-----------------	--------------------

spring for hot air motors  $\phi$  22mm H 18mm ID  $\phi$  19mm



1

<b>No.</b>	601382	<b>Ref. No.</b>	795210307
<b>description</b>			




1

<b>No.</b>	694600	<b>Ref. No.</b>	44552 760570189
<b>description</b>	bush for hot air motors $\varnothing$ 25mm H 10mm seat $\varnothing$ 8.5mm		
<b>For models:</b>	ALFA135XM		



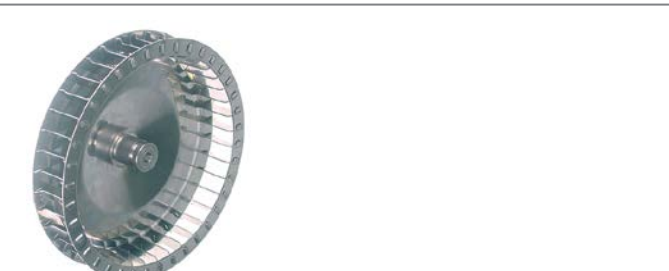
1

<b>No.</b>	601361	<b>Ref. No.</b>	019290071 069290197 699290170
<b>description</b>	fan wheel D1 $\varnothing$ 160mm H1 27mm blades 12 D2 $\varnothing$ 6.5mm D3 $\varnothing$ 6.5mm H2 10mm		




1

<b>No.</b>	601384	<b>Ref. No.</b>	069290070
<b>description</b>	fan wheel D1 $\varnothing$ 160mm H1 40mm blades 30 D2 $\varnothing$ 8mm D3 $\varnothing$ 8mm H2 26mm		



1

<b>No.</b>	601363	<b>Ref. No.</b>	069290083 079290106 59305
<b>description</b>	fan wheel D1 $\varnothing$ 196mm H1 37mm blades 38 D2 $\varnothing$ 8mm D3 $\varnothing$ 8mm H2 29mm		
<b>For models:</b>	ALFA135XM		




1

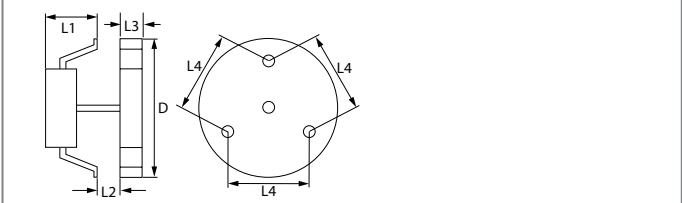
<b>No.</b>	694601	<b>Ref. No.</b>	44551 895092518
<b>description</b>	spring for hot air motors $\varnothing$ 22mm H 18mm ID $\varnothing$ 19mm		
<b>For models:</b>	ALFA135XM		


hot air fans

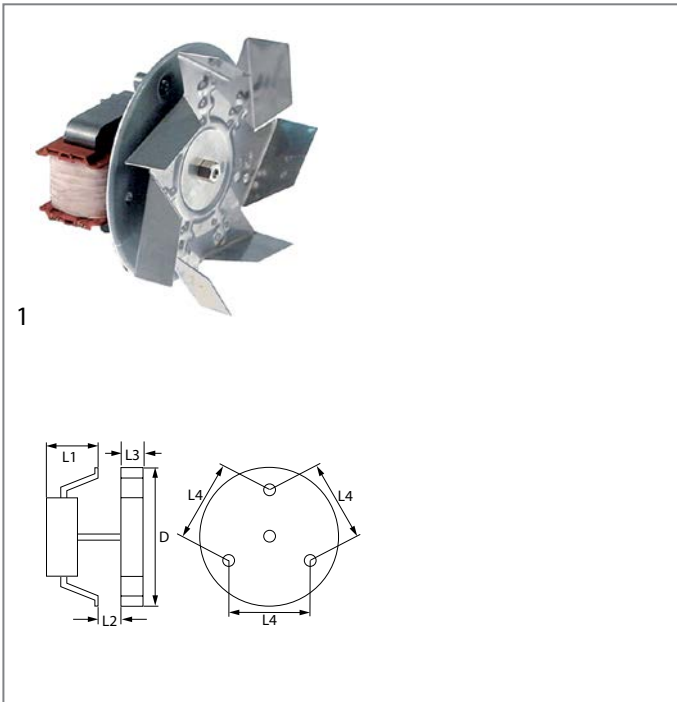
miscellaneous




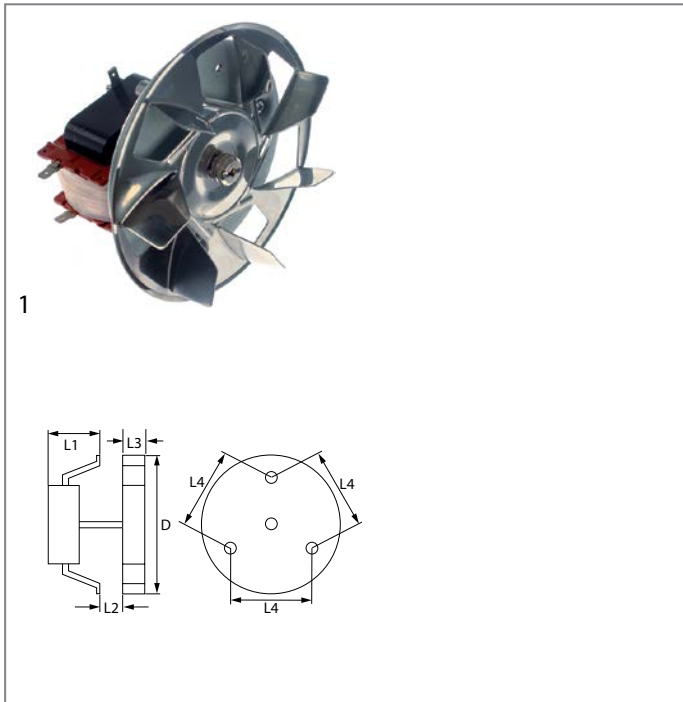
1



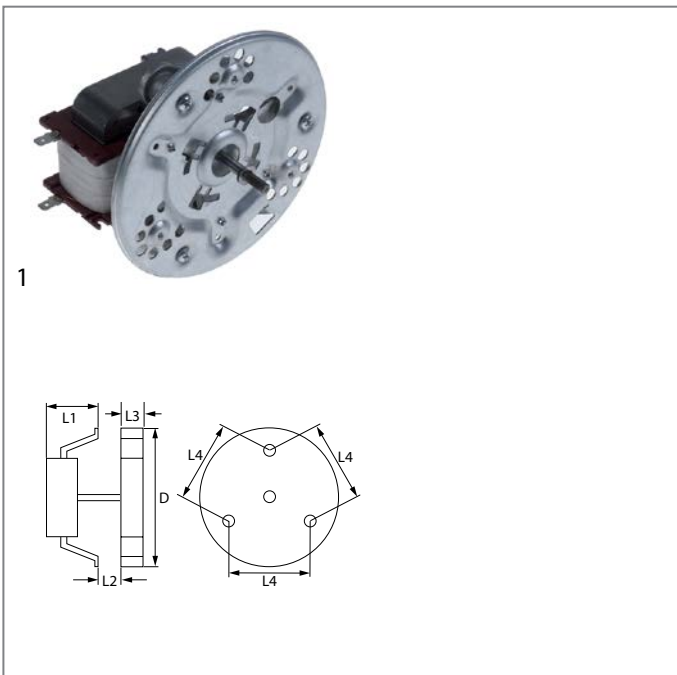
<b>No.</b>	500902	<b>Ref. No.</b>	699250048	
<b>description</b>	fan motor 220V 55W 50/60Hz L1 68mm FIME type L25R without fan wheel			
<b>accessories for</b>	500902			
	<b>No.</b>	550879	<b>Ref. No.</b>	—
	insulation $\varnothing$ 130mm thickness 3mm hole $\varnothing$ 20mm for hot air fan			




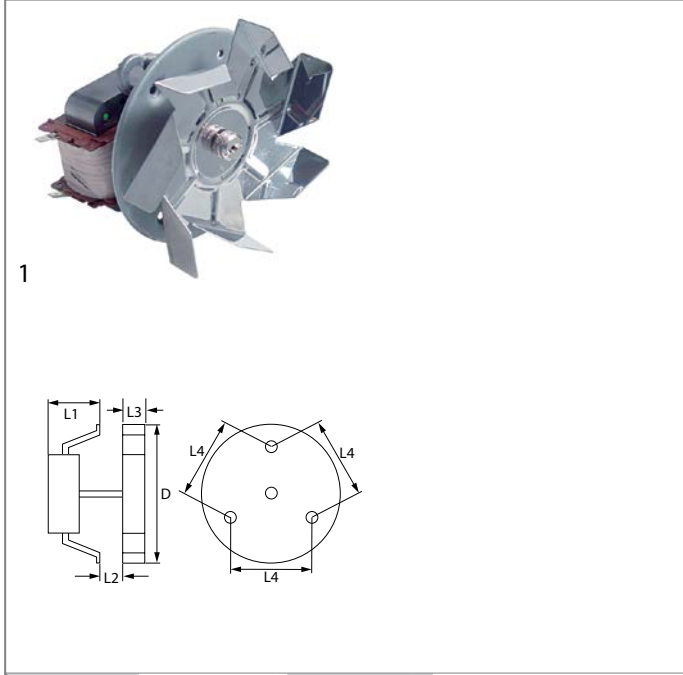
<b>No.</b>	601054	<b>Ref. No.</b>	699250005 699250029
<b>description</b>	hot air fan 220-240V 32W 50/60Hz L1 60mm L2 10mm L3 25mm L4 87mm fan wheel ø 150mm FIME type C20X0E01/46		
<b>accessories for</b>	601054		
	<b>No.</b>	550879	<b>Ref. No.</b> —
insulation ø 130mm thickness 3mm hole ø 20mm for hot air fan			




<b>No.</b>	601364	<b>Ref. No.</b>	20874 699250017 699250028
<b>description</b>	hot air fan 220V 35W L1 71mm L2 10mm L3 30mm L4 87mm fan wheel ø 152mm FIME type C30R0409/1CLH		



<b>No.</b>	500697	<b>Ref. No.</b>	699250108
<b>description</b>	hot air fan 220-240V 55W 50/60Hz L1 70mm L2 13mm L3mm L4 87mm FIME type L25R7795		
<b>accessories for</b>	500697		
	<b>No.</b>	601361	<b>Ref. No.</b> 019290071 069290197 699290170
fan wheel D1 ø 160mm H1 27mm blades 12 D2 ø 6.5mm D3 ø 6.5mm H2 10mm			




<b>No.</b>	601383	<b>Ref. No.</b>	699250031
<b>description</b>	hot air fan 220V 55W 50/60Hz L1 65mm L2 15mm L3 25mm L4 87mm fan wheel ø 150mm FIME type L25R7513		
<b>accessories for</b>	601383		
	<b>No.</b>	550879	<b>Ref. No.</b> —
insulation ø 130mm thickness 3mm hole ø 20mm for hot air fan			



accessories


fan wheels for hot air fans


			
1			
<b>No.</b>	601200	<b>Ref. No.</b>	039290121 039290137 66572
<b>description</b>	fan wheel ø 150mm W 20mm shaft intake ø 6x5mm zinc-plated blades 7		


electric accessories

terminals


connection terminals with screw/faston connections

			
1			
<b>No.</b>	505212	<b>Ref. No.</b>	825170088
<b>description</b>	power terminal block 2-pole max. 20A max 600V connection ø2.5mm <sup>2</sup> / F6.3 temp.-resist. 150°C cross section 4mm <sup>2</sup>		


			
1			
<b>No.</b>	550278	<b>Ref. No.</b>	825170033
<b>description</b>	power terminal block 3-pole max. 40A max 400V connection ø6mm <sup>2</sup> / F6.3 temp.-resist. 150°C cross section 6mm <sup>2</sup>		

			
1			
<b>No.</b>	550411	<b>Ref. No.</b>	3092 825170029
<b>description</b>	power terminal block 6-pole max. 40A max 450V connection ø6mm <sup>2</sup> / F6.3 temp.-resist. 150°C cross section 6mm <sup>2</sup>		
<b>For models:</b>	ALFA135XM		

connection terminals with strain relief

			
1			
<b>No.</b>	550356	<b>Ref. No.</b>	763450077 825170162
<b>description</b>	power terminal block 2-pole max 450V max. 16A cable ø 15mm cross section 1.5mm <sup>2</sup>		

various



			
1			
<b>No.</b>	693955	<b>Ref. No.</b>	825170239
<b>description</b>	terminal grounding cable		



ignition parts

thermocouples

threaded thermocouples

threaded thermocouples with cable link

			
1			
<b>No.</b>	102127	<b>Ref. No.</b>	948650127 948650128
<b>description</b>	thermocouple with two-conductors L 600mm M6x0.75 ø 2mm		
<b>accessories for</b>	102127		
	<b>No.</b>	102680	<b>Ref. No.</b> —
	nut thread M6x0.75 H 2.6mm WS 8 brass Qty 1 pcs type SEF 2		

			
1			
<b>No.</b>	102152	<b>Ref. No.</b>	948650126 948650135
<b>description</b>	thermocouple with two-conductors L 750mm M6x0.75 ø 2mm		
<b>accessories for</b>	102152		
	<b>No.</b>	102680	<b>Ref. No.</b> —
	nut thread M6x0.75 H 2.6mm WS 8 brass Qty 1 pcs type SEF 2		

## equipment-specific units for convection ovens/combi-steamers

### glass panels



1

<b>No.</b>	693856	<b>Ref. No.</b>	66602 772531731
<b>description</b>	glass panel L 420mm W 352mm thickness 4mm rectangular		



1

<b>No.</b>	693857	<b>Ref. No.</b>	66597 772531730
<b>description</b>	glass panel L 500mm W 358mm thickness 4mm rectangular		



1

<b>No.</b>	693859	<b>Ref. No.</b>	61055 772531560
<b>description</b>	glass panel L 633mm W 395mm thickness 4mm rectangular		
<b>For models:</b>	ALFA135XM		



1

<b>No.</b>	693858	<b>Ref. No.</b>	24529 26476 692530804 692530851
<b>description</b>	glass panel mounting pos. outer		



1

<b>No.</b>	693860	<b>Ref. No.</b>	61053 692531559
<b>description</b>	glass panel mounting pos. outer		
<b>For models:</b>	ALFA135XM		

### doors



1

<b>No.</b>	691119	<b>Ref. No.</b>	692050640
<b>description</b>	inner door complete oven		



1

<b>No.</b>	693973	<b>Ref. No.</b>	696135091
<b>description</b>	oven door H 310mm W 530mm outer part		



1

<b>No.</b>	691115	<b>Ref. No.</b>	682050676
<b>description</b>	oven door H 407mm W 693mm inner part		



1

<b>No.</b>	693974	<b>Ref. No.</b>	692050424
<b>description</b>	oven door H 405mm W 575mm inner part with disc		



1

<b>No.</b>	693975	<b>Ref. No.</b>	696130744
<b>description</b>	oven door H 410mm W 585mm complete		





1

<b>No.</b>	693976	<b>Ref. No.</b>	692530876
<b>description</b>	oven door H 410mm W 695mm outer part		



1

<b>No.</b>	693979	<b>Ref. No.</b>	692531328
<b>description</b>	oven door H 440mm W 695mm outer part		



1

<b>No.</b>	693978	<b>Ref. No.</b>	692050663
<b>description</b>	oven door H 435mm W 687mm inner part		



1

<b>No.</b>	693980	<b>Ref. No.</b>	696133545
<b>description</b>	oven door H 665mm W 650mm complete		





1

<b>No.</b>	693977	<b>Ref. No.</b>	696135208
<b>description</b>	oven door H 665mm W 650mm outer part		


for ovens

spare parts and accessories



1


<b>No.</b>	693953	<b>Ref. No.</b>	018250313
<b>description</b>	fastening angle		



1

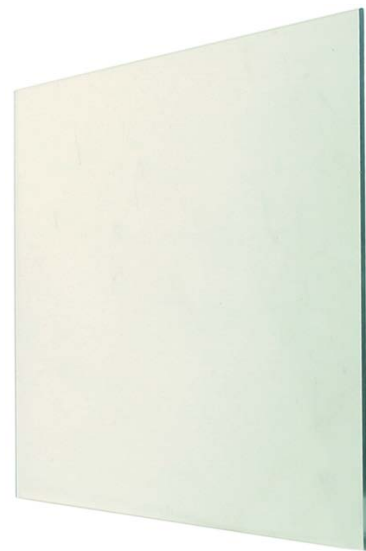
<b>No.</b>	693954	<b>Ref. No.</b>	766330227
<b>description</b>	hand protection for handle		

glass panels



1

<b>No.</b>	693963	<b>Ref. No.</b>	772530690
<b>description</b>	glass panel L 338mm W 168mm thickness 5mm rectangular		



1

<b>No.</b>	693968	<b>Ref. No.</b>	772530951
<b>description</b>	glass panel L 355mm W 290mm thickness 4mm rectangular		



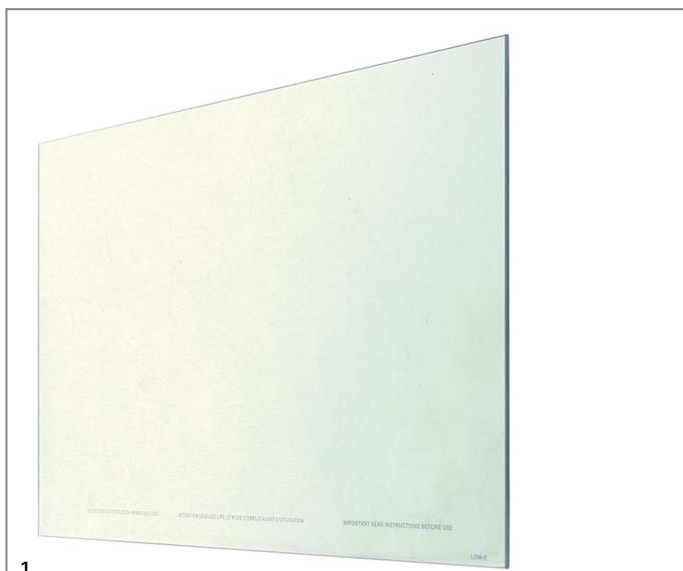
1

<b>No.</b>	693969	<b>Ref. No.</b>	772530952
<b>description</b>	glass panel L 355mm W 290mm thickness 4mm rectangular		



1

<b>No.</b>	693967	<b>Ref. No.</b>	772530783
<b>description</b>	glass panel L 425mm W 270mm thickness 5mm rectangular		



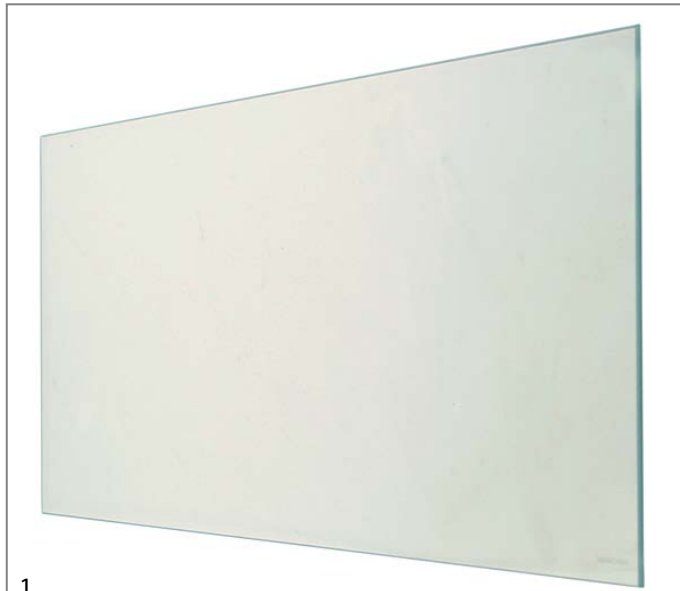
1

<b>No.</b>	693966	<b>Ref. No.</b>	772530875
<b>description</b>	glass panel L 425mm W 270mm thickness 4mm rectangular		



1

<b>No.</b>	693964	<b>Ref. No.</b>	772530771
<b>description</b>	glass panel L 425mm W 382mm thickness 4mm rectangular		



1

<b>No.</b>	693965	<b>Ref. No.</b>	772530846
<b>description</b>	glass panel L 564mm W 275mm thickness 5mm rectangular		



1

<b>No.</b>	693971	<b>Ref. No.</b>	692531228
<b>description</b>	glass panel L 605mm W 525mm thickness 5mm rectangular		



1

<b>No.</b>	693970	<b>Ref. No.</b>	772530975
<b>description</b>	glass panel L 585mm W 390mm thickness 4mm rectangular		



1

<b>No.</b>	693972	<b>Ref. No.</b>	692531609
<b>description</b>	glass panel L 644mm W 590mm thickness 4mm rectangular		


			
1			
<b>No.</b>	694522	<b>Ref. No.</b>	690071340
<b>description</b>	glass panel L 645mm W 600mm thickness 4mm rectangular		

## knobs

### producer-specific knobs


#### SMEG

			
1			
<b>No.</b>	112118	<b>Ref. No.</b>	25342 764971822
<b>description</b>	knob MIN/MED/MAX ø 55mm shaft ø 6x4.6mm shaft flat right with extended shaft black		


			
1			
<b>No.</b>	112114	<b>Ref. No.</b>	50274 764974969
<b>description</b>	knob oven ø 55mm shaft ø 6x4.6mm shaft flat bottom with extended shaft black		


			
1			
<b>No.</b>	112112	<b>Ref. No.</b>	25800 764971892
<b>description</b>	knob oven ø 55mm shaft ø 6x4.6mm shaft flat upper with extended shaft black		


			
1			
<b>No.</b>	112149	<b>Ref. No.</b>	764971925
<b>description</b>	knob oven ø 55mm shaft ø 6x4.6mm shaft flat upper with extended shaft black		


			
1			
<b>No.</b>	112119	<b>Ref. No.</b>	58017 764975209 764975375
<b>description</b>	knob potentiometer t.max.°C temperature range°C ø 55mm shaft ø 6x4.6mm shaft flat bottom with extended shaft		


			
1			
<b>No.</b>	112117	<b>Ref. No.</b>	44562 764972663
<b>description</b>	knob steaming ø 55mm shaft ø 6x4.6mm shaft flat upper with extended shaft		


			
1			
<b>No.</b>	112145	<b>Ref. No.</b>	764972664
<b>description</b>	knob switch 0-1/2-1 ø 55mm shaft ø 6x4.6mm shaft flat upper with extended shaft		


			
1			
<b>No.</b>	112110	<b>Ref. No.</b>	39894 764975392 764975909
<b>description</b>	knob thermostat t.max. 250°C temperature range 50-250°C ø 55mm shaft ø 6x4.6mm shaft flat bottom with extended shaft rotation 270° black		


			
1			
<b>No.</b>	112113	<b>Ref. No.</b>	50275 764975006
<b>description</b>	knob thermostat t.max. 250°C temperature range 50-250°C ø 55mm shaft ø 6x4.6mm shaft flat upper with extended shaft black		


			
1			
<b>No.</b>	112115	<b>Ref. No.</b>	24527 764971804 764972581
<b>description</b>	knob thermostat t.max. 275°C temperature range 50-275°C ø 55mm shaft ø 6x4.6mm shaft flat upper with extended shaft black		


			
1			
<b>No.</b>	112143	<b>Ref. No.</b>	764972639
<b>description</b>	knob thermostat t.max. 250°C temperature range 50-250°C ø 55mm shaft ø 6x4.6mm shaft flat upper with extended shaft black		


			
1			
<b>No.</b>	112144	<b>Ref. No.</b>	764972371
<b>description</b>	knob thermostat t.max. 300°C temperature range 100-300°C ø 55mm shaft ø 6x4.6mm shaft flat upper with extended shaft black		


			
1			
<b>No.</b>	112148	<b>Ref. No.</b>	764972459
<b>description</b>	knob thermostat t.max. 250°C temperature range 50-250°C ø 55mm shaft ø 6x4.6mm shaft flat upper with extended shaft black		

			
1			
<b>No.</b>	112155	<b>Ref. No.</b>	764974566
<b>description</b>	knob thermostat t.max. 300°C temperature range 100-300°C ø 55mm shaft ø 6x4.6mm shaft flat upper with extended shaft black		

			
1			
<b>No.</b>	112157	<b>Ref. No.</b>	764975415
<b>description</b>	knob thermostat t.max. 250°C temperature range 50-250°C ø 55mm shaft ø 6x4.6mm shaft flat upper with extended shaft black		

			
1			
<b>No.</b>	112156	<b>Ref. No.</b>	764975016
<b>description</b>	knob time 120min + permanent ON ø 55mm shaft ø 6x4.6mm shaft flat bottom with extended shaft black		

			
1			
<b>No.</b>	112111	<b>Ref. No.</b>	25801 764971891
<b>description</b>	knob thermostat t.max. 275°C temperature range 50-275°C ø 55mm shaft ø 6x4.6mm shaft flat right with extended shaft black		

			
1			
<b>No.</b>	112158	<b>Ref. No.</b>	764975534
<b>description</b>	knob time 14h ø 55mm shaft ø 6x4.6mm shaft flat bottom with extended shaft black		



1

<b>No.</b>	112153	<b>Ref. No.</b>	764971823
<b>description</b>	knob time 14h ø 55mm shaft ø 6x4.6mm shaft flat right with extended shaft black		



1

<b>No.</b>	112116	<b>Ref. No.</b>	24528 764971805
<b>description</b>	knob time 60min + permanent ON ø 55mm shaft ø 6x4.6mm shaft flat bottom with extended shaft black		
<b>For models:</b>	ALFA135XM		



1

<b>No.</b>	112146	<b>Ref. No.</b>	764972332 764975917
<b>description</b>	knob time 60min + permanent ON ø 55mm shaft ø 6x4.6mm shaft flat bottom with extended shaft black		



1

<b>No.</b>	112671	<b>Ref. No.</b>	764975910
<b>description</b>	knob time 60min + permanent ON t.max.°C temperature range°C ø 55mm shaft ø 6x4.6mm shaft flat lower black		



1

<b>No.</b>	112147	<b>Ref. No.</b>	764974462
<b>description</b>	knob time 60min + permanent ON t.max.°C temperature range°C ø 55mm shaft ø 6x4.6mm shaft flat upper with extended shaft black		



1

<b>No.</b>	112108	<b>Ref. No.</b>	66592 764975458
<b>description</b>	knob thermostat t.max. 280°C temperature range 50-280°C ø 55mm shaft ø 6x4.6mm shaft flat upper rotation 270° black		



1

<b>No.</b>	112109	<b>Ref. No.</b>	66591 764975457 764975915
<b>description</b>	knob time 90min + permanent ON ø 55mm shaft ø 6x4.6mm shaft flat upper black		



1

<b>No.</b>	112151	<b>Ref. No.</b>	764970986
<b>description</b>	knob oven ø 45mm shaft ø 6x4.6mm shaft flat upper black		



1


<b>No.</b>	110327	<b>Ref. No.</b>	764971537
<b>description</b>	knob switch zero mark ø 45mm shaft ø 6x4.6mm shaft flat upper black		





1


<b>No.</b>	112159	<b>Ref. No.</b>	764970877
<b>description</b>	knob thermostat t.max. 250°C temperature range 50-250°C ø 45mm shaft ø 6x4.6mm shaft flat upper black		



			
1			
<b>No.</b>	112152	<b>Ref. No.</b>	764971543
<b>description</b>	knob switch zero mark ø 40mm shaft ø 6x4.6mm shaft flat right black		

			
1			
<b>No.</b>	112154	<b>Ref. No.</b>	764974555
<b>description</b>	knob switch zero mark ø 42mm shaft ø 6x4.6mm shaft flat upper black		

			
1			
<b>No.</b>	112162	<b>Ref. No.</b>	764974870 764975149
<b>description</b>	knob thermostat t.max. 70°C temperature range 0-70°C ø 44mm shaft ø 6x4.6mm shaft flat lower black		

			
1			
<b>No.</b>	112667	<b>Ref. No.</b>	694972606
<b>description</b>	knob without symbol ø 30mm shaft ø 6x4.6mm shaft flat horizontal		

## handles and hand wheels

### ball handles

			
1			
<b>No.</b>	693948	<b>Ref. No.</b>	765930210
<b>description</b>	ball handle thread M4 ø 18mm stainless steel		

### handle bars

#### handle bars

			
1			
<b>No.</b>	693851	<b>Ref. No.</b>	174930427 24523
<b>description</b>	handle rod L 230mm ø 20mm		

			
1			
<b>No.</b>	693852	<b>Ref. No.</b>	174930451 27038
<b>description</b>	handle rod L 280mm ø 20mm		
<b>For models:</b>	ALFA135XM		

			
1			
<b>No.</b>	693959	<b>Ref. No.</b>	174930372
<b>description</b>	handle rod tube ø 16mm L 358mm		





## consoles



1			
<b>No.</b>	693850	<b>Ref. No.</b>	24521 27040 878411349 878411459 878414445+899370470
<b>description</b>	console for door handle mounting pos. left		
<b>For models:</b>	ALFA135XM		



1			
<b>No.</b>	693849	<b>Ref. No.</b>	24520 27039 878411348 878411458 878414446+899370470
<b>description</b>	console for door handle mounting pos. right		
<b>For models:</b>	ALFA135XM		



1			
<b>No.</b>	693951	<b>Ref. No.</b>	878411296
<b>description</b>	console for handle rod tube ø 10mm		

## handle rails

### handle rails



1			
<b>No.</b>	693956	<b>Ref. No.</b>	764930133
<b>description</b>	handle rail hole distance 583mm		



1			
<b>No.</b>	693957	<b>Ref. No.</b>	764930159 764930319
<b>description</b>	handle rail hole distance 583mm		



1			
<b>No.</b>	693958	<b>Ref. No.</b>	764930327
<b>description</b>	handle rail hole distance 583mm		

## bracket handles



1			
<b>No.</b>	693848	<b>Ref. No.</b>	184931004 66600
<b>description</b>	pull handle L 463mm H 50mm mounting distance 450mm		



1			
<b>No.</b>	693961	<b>Ref. No.</b>	184930822
<b>description</b>	pull handle L 540mm H 60mm mounting distance 522mm		

## miscellaneous



1			
<b>No.</b>	693949	<b>Ref. No.</b>	765930203
<b>description</b>	handle ø 20mm		

## locks

### snap locks


#### universal



1			
<b>No.</b>	700668	<b>Ref. No.</b>	177690123
<b>description</b>	snap lock L 62mm W 16mm H 35mm mounting distance 48.5/26mm spring thickness 1mm complete with door catch nickel-plated brass		

producer-specific

SMEG

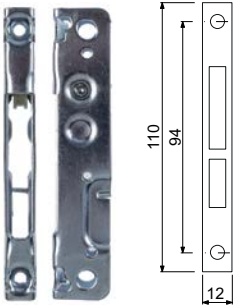


1

<b>No.</b>	691979	<b>Ref. No.</b>	177690163
<b>description</b>	snap lock L 82mm mounting distance 35mm		


## hinges

### oven hinges





1

<b>No.</b>	693045	<b>Ref. No.</b>	935970006
<b>description</b>	opposite support L 110mm W 12mm mounting distance 94mm		




1

<b>No.</b>	701218	<b>Ref. No.</b>	698290898
<b>description</b>	opposite support mounting distance 75mm L 138mm mounting pos. right W 23mm with microswitch H 115mm cut-out 10X30mm for oven hinge		
<b>spare parts for</b>	701218		
	<b>No.</b>	346863	<b>Ref. No.</b> 694490661
	microswitch with lever 250V 10A 1CO ambient temperature max. 85°C		




1

<b>No.</b>	700629	<b>Ref. No.</b>	61159 698290717
<b>description</b>	opposite support mounting distance 75mm L 95mm W 26mm left H 46mm M5 cut-out 10X30mm oven hinge		
<b>For models:</b>	ALFA135XM		




1

<b>No.</b>	700633	<b>Ref. No.</b>	12592 685970012
<b>description</b>	opposite support mounting distance 94mm L 110mm mounting pos. left W 13mm with welded metal sheet H 110mm oven hinge		




1

<b>No.</b>	700625	<b>Ref. No.</b>	12591 685970011
<b>description</b>	opposite support mounting distance 94mm L 111mm H 111mm mounting pos. right W 13mm with welded metal sheet cut-out 9/54mm oven hinge		



<b>No.</b>	700677	<b>Ref. No.</b>	685970027
<b>description</b>	opposite support mounting distance 94mm L 91mm mounting pos. left W 14mm H 111mm for hinge		




<b>No.</b>	700681	<b>Ref. No.</b>	685970024 685970043
<b>description</b>	opposite support mounting distance 94mm W2 21mm W 14mm right H 111mm H2 130mm oven hinge		




<b>No.</b>	693931	<b>Ref. No.</b>	685970051
<b>description</b>	opposite support mounting distance 94mm with plate oven hinge		






<b>No.</b>	700678	<b>Ref. No.</b>	685970026
<b>description</b>	opposite support mounting pos. right for hinge		




<b>No.</b>	700628	<b>Ref. No.</b>	61160 698290716
<b>description</b>	opposite support right oven hinge		
<b>For models:</b>	ALFA135XM		




<b>No.</b>	700671	<b>Ref. No.</b>	931330656
<b>description</b>	oven hinge lever length 135mm spring thickness 3.6mm L 155mm right/left		
<b>accessories for</b>	700671		
	<b>No.</b>	693931	<b>Ref. No.</b> 685970051
	opposite support mounting distance 94mm with plate oven hinge		
	<b>No.</b>	700633	<b>Ref. No.</b> 12592 685970012
	opposite support mounting distance 94mm L 110mm mounting pos. left W 13mm with welded metal sheet H 110mm oven hinge		

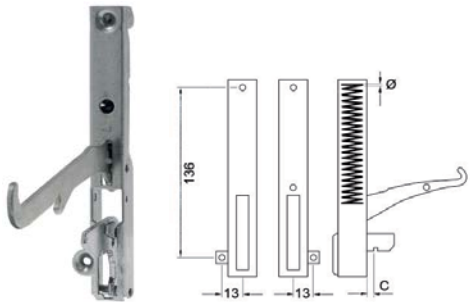


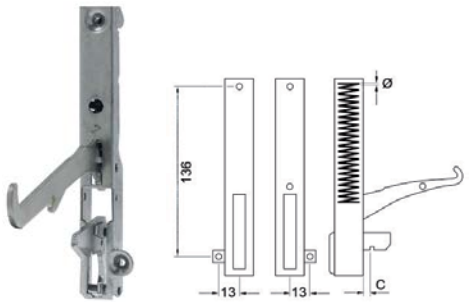
<b>No.</b>	700630 <sup>1</sup>	<b>Ref. No.</b>	29943 3664 691330361 931330128 931330129 933970006 9742 9743
<b>description</b>	oven hinge mounting distance 120mm mounting distance 2mm lug mounting 12mm lever length 120mm groove distance 12mm spring thickness 3mm mounting ear position left/right spring length 57mm W 20mm complete		
<b>accessories for</b>	700630		
	<b>No.</b>	693045	<b>Ref. No.</b> 935970006
	opposite support L 110mm W 12mm mounting distance 94mm		

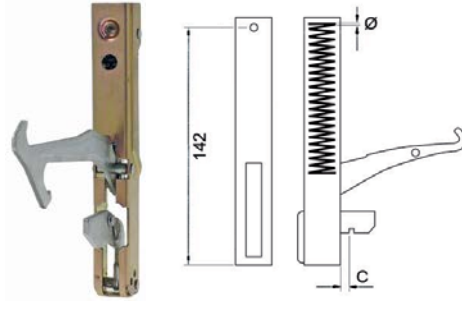



<sup>1</sup>with opposite support

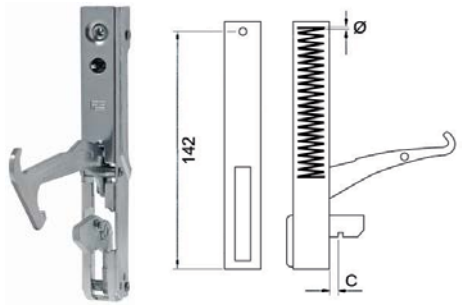


			
1			
<b>No.</b>	700669	<b>Ref. No.</b>	931330807
<b>description</b>	oven hinge mounting distance 135mm lever length 140mm spring thickness 4.2mm L 165mm left		





			
1			
<b>No.</b>	700670	<b>Ref. No.</b>	931330808
<b>description</b>	oven hinge mounting distance 135mm lever length 140mm spring thickness 4.2mm L 165mm right		





			
1			
<b>No.</b>	700674	<b>Ref. No.</b>	931330250
<b>description</b>	oven hinge mounting distance 135mm mounting distance 2mm lug mounting 14mm lever length 133mm groove distance 13mm spring thickness 4mm mounting ear position left spring length 67mm W 22mm		

			
1			
<b>No.</b>	700673	<b>Ref. No.</b>	931330249
<b>description</b>	oven hinge mounting distance 137mm lug mounting 12mm lever length 133mm groove distance 13mm spring thickness 4mm mounting ear position right spring length 67mm L 165mm W 21mm		


			
1			
<b>No.</b>	700624	<b>Ref. No.</b>	36072 931330461
<b>description</b>	oven hinge mounting distance 142mm mounting distance 2mm lug mountingmm lever length 100mm groove distance 12mm spring thickness 3.5mm mounting ear position spring length 55mm L 155mm mounting pos. right/left W 22mm		
<b>accessories for</b>	700624		
	<b>No.</b>	693045	<b>Ref. No.</b> 935970006
	opposite support L 110mm W 12mm mounting distance 94mm		
	<b>No.</b>	700625	<b>Ref. No.</b> 12591 685970011
	opposite support mounting distance 94mm L 111mm H 111mm mounting pos. right W 13mm with welded metal sheet cut-out 9/54mm oven hinge		
	<b>No.</b>	700633	<b>Ref. No.</b> 12592 685970012
	opposite support mounting distance 94mm L 110mm mounting pos. left W 13mm with welded metal sheet H 110mm oven hinge		


			
1			
<b>No.</b>	700672	<b>Ref. No.</b>	931330806
<b>description</b>	oven hinge mounting distance 142mm mounting distance 2mm lug mountingmm lever length 98mm groove distance 12mm spring thickness 4mm mounting ear position spring length 57mm L 155mm W 23mm		
<b>accessories for</b>	700672		
	<b>No.</b>	693931	<b>Ref. No.</b> 685970051
	opposite support mounting distance 94mm with plate oven hinge		
	<b>No.</b>	700633	<b>Ref. No.</b> 12592 685970012
	opposite support mounting distance 94mm L 110mm mounting pos. left W 13mm with welded metal sheet H 110mm oven hinge		


			
<b>No.</b>	700623	<b>Ref. No.</b>	50501 931330805
<b>description</b>	oven hinge mounting distance 154mm lever length 91mm groove distance 14mm spring thickness 3mm mounting pos. left/right zinc-coated steel		
<b>accessories for</b>	700623		
	<b>No.</b>	700628	<b>Ref. No.</b> 61160 698290716
opposite support right oven hinge			
	<b>No.</b>	700629	<b>Ref. No.</b> 61159 698290717
opposite support mounting distance 75mm L 95mm W 26mm left H 46mm M5 cut-out 10X30mm oven hinge			
	<b>No.</b>	700841	<b>Ref. No.</b> —
opposite support mounting distance 85mm L 107mm W 12.5mm for hinge			


			
<b>No.</b>	700627	<b>Ref. No.</b>	57756 931330887 931331154
<b>description</b>	oven hinge mounting distance 154mm mounting distance 2mm lug mountingmm lever length 79mm groove distance 14mm spring thickness 3.5mm mounting ear position spring length 54mm L 165mm mounting pos. left/right zinc-coated steel		
<b>For models:</b>	ALFA135XM		
<b>accessories for</b>	700627		
	<b>No.</b>	700628	<b>Ref. No.</b> 61160 698290716
opposite support right oven hinge			
	<b>No.</b>	700629	<b>Ref. No.</b> 61159 698290717
opposite support mounting distance 75mm L 95mm W 26mm left H 46mm M5 cut-out 10X30mm oven hinge			
	<b>No.</b>	700841	<b>Ref. No.</b> —
opposite support mounting distance 85mm L 107mm W 12.5mm for hinge			

### door bearing


			
<b>No.</b>	693944	<b>Ref. No.</b>	175550418
<b>description</b>	bolt thread M10 ø 10mm for hinge		

			
<b>No.</b>	693945	<b>Ref. No.</b>	071330429
<b>description</b>	hinge mounting ø uppermm		


			
<b>No.</b>	691116	<b>Ref. No.</b>	681330748 691330772
<b>description</b>	hinge mounting pos. lower		

			
<b>No.</b>	693946	<b>Ref. No.</b>	071330430
<b>description</b>	hinge mounting pos. lower		

### accessories


<b>base plate</b>			
			
<b>No.</b>	693952	<b>Ref. No.</b>	015730360
<b>description</b>	base plate L 60mm W 30mm for hinge		


### equipment feet and end caps


<b>equipment feet</b>			
<b>with screw mounting</b>			
			
<b>No.</b>	701080	<b>Ref. No.</b>	695770174 695770490
<b>description</b>	equipment foot tube ø 60mm thread M10 thread L 20mm H 75-110mm plastic size 2 1/3" Qty 1 pcs		





screw-in feet

 <p>1</p>			
<b>No.</b>	691120	<b>Ref. No.</b>	975770098
<b>description</b>	equipment foot		


 <p>1</p>			
<b>No.</b>	692187	<b>Ref. No.</b>	975770287
<b>description</b>	equipment foot thread M10 thread L 30mm ø 40mm H 40mm Qty 1 pcs		


 <p>1</p>			
<b>No.</b>	693947	<b>Ref. No.</b>	975770040
<b>description</b>	equipment foot thread M8 thread L 15mm ø 26mm H 8mm Qty 1 pcs		

 <p>1</p>			
<b>No.</b>	691118	<b>Ref. No.</b>	765770220 975770293
<b>description</b>	equipment foot thread M8 thread L 25mm ø 25mm H 7mm Qty 1 pcs		


 <p>1</p>			
<b>No.</b>	701079	<b>Ref. No.</b>	975770151
<b>description</b>	equipment foot thread M8 thread L 27mm ø 39mm H 40mm Qty 1 pcs		

bolting feet

 <p>1</p>			
<b>No.</b>	692157	<b>Ref. No.</b>	755770207 765770202 765770402
<b>description</b>	equipment foot ø 19mm H 12mm bore ø 5mm Qty 1 pcs		

 <p>1</p>			
<b>No.</b>	701082	<b>Ref. No.</b>	760330044
<b>description</b>	equipment foot ø 60mm thread M10		


equipment feet with stem


 <p>1</p>			
<b>No.</b>	701083	<b>Ref. No.</b>	755770280
<b>description</b>	equipment foot ø 20mm H 10mm mounting ø 8mm overall height 15mm rubber Qty 1 pcs		


shelves and shelf rails


grates

producer-specific

 <p>1</p>			
<b>No.</b>	693984	<b>Ref. No.</b>	844090459
<b>description</b>	grate W 360mm D 325mm chrome-plated steel for bottom heaters suitable for refrigerator for bottom heaters Smeg sizes for bottom heaters		


 <p>1</p>			
<b>No.</b>	693987	<b>Ref. No.</b>	844090993 844091542
<b>description</b>	grate W 370mm D 310mm steel suitable for refrigerator Smeg		

 <p>1</p>			
<b>No.</b>	693986	<b>Ref. No.</b>	844090739
<b>description</b>	grate W 440mm D 340mm chrome-plated steel suitable for refrigerator Smeg		




1			
<b>No.</b>	693872	<b>Ref. No.</b>	2099 40139 844090173 844090493 844090738
<b>description</b>	grate W 440mm D 340mm chrome-plated steel wire gauge frame 5mm lengthwise wires gauge 2mm crossing wires 2 suitable for oven Smeg		


grid attachments



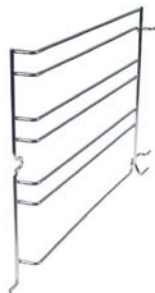
1			
<b>No.</b>	691107	<b>Ref. No.</b>	848590433
<b>description</b>	rack support mounting pos. left		




1			
<b>No.</b>	693862	<b>Ref. No.</b>	66580 848590768
<b>description</b>	rack support mounting pos. left		




1			
<b>No.</b>	693864	<b>Ref. No.</b>	53681 848590629 848590865
<b>description</b>	rack support mounting pos. left		




1			
<b>No.</b>	693866	<b>Ref. No.</b>	44536 848590430
<b>description</b>	rack support mounting pos. left		



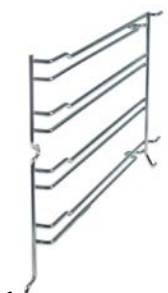
1			
<b>No.</b>	693868	<b>Ref. No.</b>	15702 848590129 848590322
<b>description</b>	rack support mounting pos. left		



1			
<b>No.</b>	693988	<b>Ref. No.</b>	844170283
<b>description</b>	rack support mounting pos. left		




1			
<b>No.</b>	693990	<b>Ref. No.</b>	848590285
<b>description</b>	rack support mounting pos. left		


1

<b>No.</b>	693994	<b>Ref. No.</b>	848590313
<b>description</b>	rack support mounting pos. left		




1

<b>No.</b>	691110	<b>Ref. No.</b>	848590321
<b>description</b>	rack support mounting pos. right		




1

<b>No.</b>	693996	<b>Ref. No.</b>	848590325
<b>description</b>	rack support mounting pos. left		



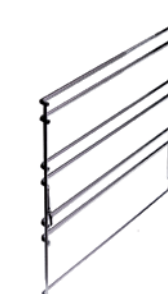
1

<b>No.</b>	693861	<b>Ref. No.</b>	66579 848590767
<b>description</b>	rack support mounting pos. right		




1

<b>No.</b>	693998	<b>Ref. No.</b>	848590361
<b>description</b>	rack support mounting pos. left		




1

<b>No.</b>	693863	<b>Ref. No.</b>	53680 848590630 848590864
<b>description</b>	rack support mounting pos. right		



1


<b>No.</b>	691108	<b>Ref. No.</b>	848590432
<b>description</b>	rack support mounting pos. right		





1


<b>No.</b>	693865	<b>Ref. No.</b>	44535 848590431 8485960864
<b>description</b>	rack support mounting pos. right		




			
<b>No.</b>	693989	<b>Ref. No.</b>	844170284
<b>description</b>	rack support mounting pos. right		

			
<b>No.</b>	693999	<b>Ref. No.</b>	848590360
<b>description</b>	rack support mounting pos. right		

			
<b>No.</b>	693991	<b>Ref. No.</b>	848590286
<b>description</b>	rack support mounting pos. right		

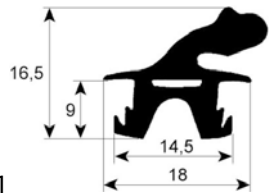
			
<b>No.</b>	693995	<b>Ref. No.</b>	848590312
<b>description</b>	rack support mounting pos. right		

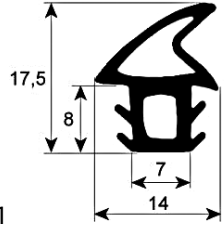
			
<b>No.</b>	693997	<b>Ref. No.</b>	848590326
<b>description</b>	rack support mounting pos. right		


## gaskets


### gaskets for heated units

#### door seals

			
<b>No.</b>	900631	<b>Ref. No.</b>	754131069
<b>description</b>	door seal profile 2443 W 565mm L 650mm external size Qty 1		

			
<b>No.</b>	900632	<b>Ref. No.</b>	45713 46903 754131089
<b>description</b>	door seal profile 2745 L 2160mm Qty 1		

			
<b>No.</b>	900635	<b>Ref. No.</b>	754130321
<b>description</b>	door seal profile 2927 L 520mm Qty 1		

			
<b>No.</b>	900634	<b>Ref. No.</b>	754130425
<b>description</b>	door seal profile 2927 L 520mm Qty 1 mounting pos. upper		



<b>No.</b>	900633	<b>Ref. No.</b>	754131220
<b>description</b>	oven gasket profile 2990 L 265mm Qty 1		

<b>No.</b>	900626	<b>Ref. No.</b>	754130243 754130244 754130427 754130476 754130786
<b>description</b>	window gasket L 1700mm		

door seals with fixing hook

<b>No.</b>	901435	<b>Ref. No.</b>	754131883 87914
<b>description</b>	door seal W 450mm with 4 mounting clips H 330mm		

<b>No.</b>	900627	<b>Ref. No.</b>	754130475 754131959
<b>description</b>	oven gasket L 320mm W 550mm external size		


<b>No.</b>	900628	<b>Ref. No.</b>	754130542
<b>description</b>	oven gasket L 350mm W 230mm with 5 mounting clips external size		

<b>No.</b>	900629	<b>Ref. No.</b>	754130785
<b>description</b>	oven gasket L 350mm W 280mm external size		

<b>No.</b>	900605	<b>Ref. No.</b>	66593 754131445
<b>description</b>	oven gasket L 360mm W 280mm with 5 mounting clips external size		

<b>No.</b>	900607	<b>Ref. No.</b>	34727 754130861
<b>description</b>	oven gasket L 430mm W 320mm external size		

<b>No.</b>	900606	<b>Ref. No.</b>	18853 754130519
<b>description</b>	oven gasket L 430mm W 330mm external size		

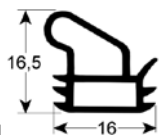


1

<b>No.</b>	900608	<b>Ref. No.</b>	48365 754131105
<b>description</b>	oven gasket L 550mm W 330mm with 6 mounting clips external size		
<b>For models:</b>	ALFA135XM		

special gaskets

door seals for dishwashers



1

<b>No.</b>	902203	<b>Ref. No.</b>	754131636 754132422
<b>description</b>	door seal L 560mm W 428mm 3-sided (long side open)		

kitchen accessories

gastronorm

GN containers

SS 18/10 - standard



1

<b>No.</b>	693982	<b>Ref. No.</b>	060370338
<b>description</b>	gastronorm plate stainless steel H 20mm L 325mm W 355mm inner edges rounded size GN 2/3		

baking sheets



1

<b>No.</b>	693869	<b>Ref. No.</b>	050370145 21099
<b>description</b>	baking sheet W 365mm L 325mm H 10mm stainless steel inner edges rounded		




1

<b>No.</b>	693981	<b>Ref. No.</b>	030370439 050370252
<b>description</b>	baking sheet W 435mm L 320mm H 10mm steel PTFE coated inner edges rounded		



1

<b>No.</b>	693870	<b>Ref. No.</b>	030370438 050370251 44528
<b>description</b>	baking sheet W 435mm L 320mm H 10mm zinc-plated inner edges rounded		



1

<b>No.</b>	691114	<b>Ref. No.</b>	050370272
<b>description</b>	baking sheet W 440mm L 362mm H 10mm steel PTFE coated inner edges rounded		




1

<b>No.</b>	693871	<b>Ref. No.</b>	050370086 050370277 12580
<b>description</b>	baking sheet W 440mm L 362mm zinc-plated inner edges rounded		

fastening material

screws


miscellaneous





1

<b>No.</b>	693854	<b>Ref. No.</b>	24679 899370893
<b>description</b>	screw thread M5 for grid attachment		



			
1			
<b>No.</b>	693855	<b>Ref. No.</b>	178412010 178414250 39882
<b>description</b>	screw thread M5 for grid attachment		
<b>For models:</b>	ALFA135XM		

			
1			
<b>No.</b>	693950	<b>Ref. No.</b>	895550158
<b>description</b>	screw thread M5/M6 for grid attachment		

nuts			
miscellaneous			
			
1			
<b>No.</b>	693853	<b>Ref. No.</b>	20516 873890148
<b>description</b>	nut thread M5 for grid attachment		