

# Professionall

Solutii profesionale pentru echipamente profesionale



**GAS COMPONENTS**



**ELECTRIC COMPONENTS**



**WATER TECHNOLOGY**



**MECHANICAL COMPONENTS**



**TOOLS**

Spare parts suitable for


# MAFIROL



## heating elements


### heating elements for refrigeration

#### heating elements for condensate evaporation



1


<b>No.</b>	418732	<b>Ref. No.</b>	877107800
<b>description</b>	heating element 650W 230V L 280mm W 95mm H 87mm L1 65mm L2 215mm cable length 1500mm connection distance 86mm tube ø 8.5mm heating circuits 1 immersion heater		
<b>For models:</b>	927100100, 927102100, 927200200, 927300200, 927300300		



1


<b>No.</b>	418733	<b>Ref. No.</b>	877107900
<b>description</b>	heating element 750W 230V L 430mm W 95mm H 98mm L1 85mm L2 345mm cable length 1500mm connection cable connection distance 86mm tube ø 8.5mm heating circuits 1 immersion heater		
<b>For models:</b>	927100200, 927100300, 927100400, 927102200, 927102300, 927102400, 927200300		

#### condensing trays heated




1

<b>No.</b>	750005	<b>Ref. No.</b>	222312100
<b>description</b>	condensing tray heated L 240mm W 240mm H 250mm		
<b>For models:</b>	927100100, 927102100		
<b>spare parts for</b>	750005		
	<b>No.</b>	<b>Ref. No.</b>	877107800
	heating element 650W 230V L 280mm W 95mm H 87mm L1 65mm L2 215mm cable length 1500mm connection distance 86mm tube ø 8.5mm heating circuits 1 immersion heater		



1

<b>No.</b>	750003	<b>Ref. No.</b>	226303600
<b>description</b>	condensing tray heated L 240mm W 240mm H 75mm 230V 650W connect with power contactor		
<b>For models:</b>	927200200, 927300200, 927300300		
<b>spare parts for</b>	750003		
	<b>No.</b>	<b>Ref. No.</b>	—
	float switch 250V 1A 1NO or 1NC thread M16x1.5 ø 17.4mm L 100.5mm mounting ø 28mm cable cable length 1500mm temp.-resist. -20 up to +90°C		
	<b>No.</b>	<b>Ref. No.</b>	877107800
	heating element 650W 230V L 280mm W 95mm H 87mm L1 65mm L2 215mm cable length 1500mm connection distance 86mm tube ø 8.5mm heating circuits 1 immersion heater		
<b>accessories for</b>	750003		
	<b>No.</b>	<b>Ref. No.</b>	880302100
	power relays Italiana Relè 230VAC 30A 1NO connection F6.3 bracket mounting dimensions 36.5x32.2x51.8mm manuf. no. A10-230AC-FA		



1

<b>No.</b>	750007	<b>Ref. No.</b>	224011500
<b>description</b>	condensing tray heated L 300mm W 155mm H 105mm 230V 300W without level electrode		







1

<b>No.</b>	750006	<b>Ref. No.</b>	222312200
<b>description</b>	condensing tray heated L 380mm W 240mm H 250mm		
<b>For models:</b>	927100200, 927100300, 927100400, 927102200, 927102300, 927102400		


1 electric components





			
1			
<b>No.</b>	750004	<b>Ref. No.</b>	227206000
<b>description</b>	condensing tray heated L 380mm W 240mm H 75mm 230V 750W with float switch		
<b>For models:</b>	927200300		
<b>spare parts for</b>	750004		
	<b>No.</b>	<b>Ref. No.</b>	—
	348139		
	float switch 250V 1A 1NO or 1NC thread M16x1.5 ø 17.4mm L 100.5mm mounting ø 28mm cable length 1500mm temp.-resist. -20 up to +90°C		
	<b>No.</b>	<b>Ref. No.</b>	877107900
	418733		
	heating element 750W 230V L 430mm W 95mm H 98mm L1 85mm L2 345mm cable length 1500mm connection cable connection distance 86mm tube ø 8.5mm heating circuits 1 immersion heater		
<b>accessories for</b>	750004		
	<b>No.</b>	<b>Ref. No.</b>	880302100
	380185		
	power relays Italiana Relè 230VAC 30A 1NO connection F6.3 bracket mounting dimensions 36.5x32.2x51.8mm manuf. no. A1O-230AC-FA		


## heating cables

## drain heating cables

			
1			
<b>No.</b>	418735	<b>Ref. No.</b>	224820200
<b>description</b>	drain heating cable 37W 230V L 1980mm L1 (unheated) 190mm L2 (heated) 1790mm silicone 25W/m connection cable		
<b>For models:</b>	925701300, 925702300		

			
1			
<b>No.</b>	418734	<b>Ref. No.</b>	224820100
<b>description</b>	drain heating cable 37W 230V ø 6mm L 1670mm L1 (unheated) 130mm L2 (heated) 1650mm cable length 110mm silicone 25W/m connection cable		
<b>For models:</b>	925701200, 925702200		

			
1			
<b>No.</b>	418736	<b>Ref. No.</b>	224820300
<b>description</b>	drain heating cable 50W 230V ø 6mm L 2120mm L1 (unheated) 130mm L2 (heated) 2010mm cable length 110mm silicone 25W/m connection cable		
<b>For models:</b>	925701400, 925702400		

			
1			
<b>No.</b>	418737	<b>Ref. No.</b>	224820400
<b>description</b>	drain heating cable 62W 230V ø 6mm L 2680mm L1 (unheated) 130mm L2 (heated) 2550mm silicone 25W/m connection cable		
<b>For models:</b>	925701500, 925702500		

## accessories



## hexagonal nuts


			
1			
<b>No.</b>	560132	<b>Ref. No.</b>	886003500
<b>description</b>	hexagonal nut thread M5 H 4mm WS 8 SS DIN/ISO DIN 934 / ISO 4032/8673 Qty 20 pcs		
<b>For models:</b>	925600100, 925600200, 925600300, 925601200, 925601300, 925601400, 925603300, 925603400, 925603500, 925701100, 925701200, 925701300, 925701400, 925701500, 925701600, 925702100, 925702200, 925702300, 925702400, 925702500, 925702600, 926002000, 926002500, 926002600, 926003000, 926003100		

## switches and momentary switches

## rocker/momentary rocker switches

## 30x22mm

			
1			
<b>No.</b>	301003	<b>Ref. No.</b>	877124300
<b>description</b>	rocker switch mounting measurements 30x22mm green 2NO 250V 16A illuminated 0-I connection male faston 6.3mm ambient temperature max. 125/55°C protection IP65		
<b>For models:</b>	927100100, 927100200, 927100300, 927100400, 927102100, 927102200, 927102300, 927102400, 927200300, 927300100, 927300200, 927300300		
<b>accessories for</b>	301003		
	<b>No.</b>	<b>Ref. No.</b>	—
	301036		
	protective cover internal size 30x22mm for rocker switch mounting measurementsmm		

			
1			
<b>No.</b>	347019	<b>Ref. No.</b>	877124200
<b>description</b>	rocker switch mounting measurements 30x22mm orange 2NO 250V 16A illuminated lamp connection male faston 6.3mm ambient temperature max. 100/55°C protection IP40		
<b>For models:</b>	925701100, 925701200, 925701300, 925701400, 925701500, 925701600, 925702100, 925702200, 925702300, 925702400, 925702500, 925702600, 927100100, 927100200, 927100300, 927100400, 927102100, 927102200, 927102300, 927102400, 927200300		



float switches

<b>No.</b>	347020	<b>Ref. No.</b>	877121600
<b>description</b>	float switch thread M16x2 1NO or 1NC ø 16mm L 88.5mm mounting ø 16mm 250V 1A cable cable length 800mm		
<b>For models:</b>	927200200, 927200300, 927300200, 927300300		

lamps

fluorescent lamps

fluorescent lamps

G13

<b>No.</b>	357008	<b>Ref. No.</b>	877016000
<b>description</b>	fluorescent lamp socket G13 L 1198mm 36W 230V Qty 1 pcs		
<b>For models:</b>	927100200, 927100400, 927102200, 927102400		

<b>No.</b>	359386	<b>Ref. No.</b>	877010700
<b>description</b>	fluorescent lamp socket G13 L 1198mm 36W 230V Qty 1 pcs		
<b>For models:</b>	925600300, 925601300, 925603300, 925701300, 925701600, 925702300, 925702600, 927100100, 927100200, 927100300, 927100400, 927102100, 927102200, 927102300, 927102400		

<b>No.</b>	359390	<b>Ref. No.</b>	877016600
<b>description</b>	fluorescent lamp socket G13 L 1500mm 58W 230V Qty 1 pcs		
<b>For models:</b>	925601400, 925603400, 925701400, 925702400		

<b>No.</b>	359383	<b>Ref. No.</b>	877010200
<b>description</b>	fluorescent lamp socket G13 L 438mm 15W 230V Qty 1 pcs light colour 640		
<b>For models:</b>	927200100		

<b>No.</b>	359371	<b>Ref. No.</b>	877010400
<b>description</b>	fluorescent lamp socket G13 L 590mm 18W 230V Qty 1 pcs		
<b>For models:</b>	925600100, 925701100, 925702100, 927200200		

<b>No.</b>	359372	<b>Ref. No.</b>	877010500
<b>description</b>	fluorescent lamp socket G13 L 895mm 30W 230V Qty 1 pcs		
<b>For models:</b>	927200300		

<b>No.</b>	357007	<b>Ref. No.</b>	877016300
<b>description</b>	fluorescent lamp socket G13 L 895mm 30W ø 27mm 230V Qty 1 pcs		
<b>For models:</b>	927100100, 927100300, 927102100, 927102300		

<b>accessories for</b>	357007		
------------------------	--------	--	--

	<b>No.</b>	380464	<b>Ref. No.</b>	877003100
starter 4-65W				

	<b>No.</b>	401505	<b>Ref. No.</b>	877000500
electrical ballast 36W 230V Qty 1 pcs				

	<b>No.</b>	402065	<b>Ref. No.</b>	877000400
electrical ballast 30W 230V for fluorescent lamps Qty 1 pcs				

<b>No.</b>	359738	<b>Ref. No.</b>	877016700
<b>description</b>	fluorescent lamp socket G13 L 970mm 23W 230V Qty 1 pcs		
<b>For models:</b>	925600200, 925601200, 925603500, 925701200, 925701500, 925702200, 925702500		

accessories

starter

<b>No.</b>	380464	<b>Ref. No.</b>	877003100
<b>description</b>	starter 4-65W		
<b>For models:</b>	925600100, 925600200, 925600300, 925601200, 925601300, 925601400, 925603300, 925603400, 925603500, 925701100, 925701200, 925701300, 925701400, 925701500, 925701600, 925702100, 925702200, 925702300, 925702400, 925702500, 925702600, 927100100, 927100200, 927100300, 927100400, 927102100, 927102200, 927102300, 927102400		

ballasts

<b>No.</b>	402063	<b>Ref. No.</b>	877000100
<b>description</b>	electrical ballast 15W 230V for fluorescent lamps Qty 1 pcs		
<b>For models:</b>	927200100		



1	<b>No.</b>	401504	<b>Ref. No.</b>	877000200
<b>description</b> electrical ballast 18W 230V Qty 1 pcs				
<b>For models:</b> 925600100, 925701100, 925702100, 927200200				



1	<b>No.</b>	402064	<b>Ref. No.</b>	877000300
<b>description</b> electrical ballast 25W 230V Qty 1 pcs				
<b>For models:</b> 925600200, 925601200, 925603500, 925701200, 925701500, 925702200, 925702500				



1	<b>No.</b>	402065	<b>Ref. No.</b>	877000400
<b>description</b> electrical ballast 30W 230V for fluorescent lamps Qty 1 pcs				
<b>For models:</b> 927100100, 927100300, 927102100, 927102300, 927200300				



1	<b>No.</b>	401505	<b>Ref. No.</b>	877000500
<b>description</b> electrical ballast 36W 230V Qty 1 pcs				
<b>For models:</b> 925600300, 925601300, 925603300, 925701300, 925701600, 925702300, 925702600, 927100200, 927100400, 927102200, 927102400				



1	<b>No.</b>	402066	<b>Ref. No.</b>	877000800
<b>description</b> electrical ballast 58W 230V for fluorescent lamps Qty 1 pcs				
<b>For models:</b> 925601400, 925603400, 925701400, 925702400				

**covers**



1	<b>No.</b>	551020	<b>Ref. No.</b>	877030500
<b>description</b> protection cap for fluorescent lamps ø 30mm				
<b>For models:</b> 927100100, 927100200, 927100300, 927100400, 927102100, 927102200, 927102300, 927102400				

**protective tube**



1	<b>No.</b>	550614	<b>Ref. No.</b>	127113400
<b>description</b> protection pipe for fluorescent lamps L 1195mm ømm				
<b>For models:</b> 927100100, 927100200, 927100300, 927100400, 927102100, 927102200, 927102300, 927102400				



1	<b>No.</b>	550613	<b>Ref. No.</b>	870736300
<b>description</b> protection pipe for fluorescent lamps ø 28.7mm L 1180mm Qty 1 pcs				
<b>For models:</b> 927100200, 927100400, 927102200, 927102400				



1	<b>No.</b>	550612	<b>Ref. No.</b>	870736100
<b>description</b> protection pipe for fluorescent lamps ø 28.7mm L 875mm Qty 1 pcs				
<b>For models:</b> 927100100, 927100300, 927102100, 927102300				

**contactors**

**MOELLER/EATON**

**power contactors**



1	<b>No.</b>	380172	<b>Ref. No.</b>	877121000
<b>description</b> power contactor resistive load 20A 230VAC (AC3/400V) 9A/4kW main contacts 3NO auxiliary contacts 1NC connection screw connection type DILEM 01				
<b>For models:</b> 927100100, 927100200, 927100300, 927100400, 927102100, 927102200, 927102300, 927102400, 927200300, 927300100, 927300200, 927300300				



## relays

### power relays

#### with bracket mounting



1

<b>No.</b>	380185	<b>Ref. No.</b>	880302100
<b>description</b>	power relays Italiana Relè 230VAC 30A 1NO connection F6.3 bracket mounting dimensions 36.5x32.2x51.8mm manuf. no. A10-230AC-FA		
<b>For models:</b>	927200300		

### level relays

#### miscellaneous



1

<b>No.</b>	402067	<b>Ref. No.</b>	877121500
<b>description</b>	level relay 230V voltage AC type RNP20-023		
<b>For models:</b>	927100100, 927100200, 927100300, 927100400, 927102100, 927102200, 927102300, 927102400, 927200100, 927300100		

## electronic controllers

### DIXELL

#### refrigeration controllers

#### built-in version



1

<b>No.</b>	378000	<b>Ref. No.</b>	880313100 8803173+8803195
<b>description</b>	electronic controller DIXELL XR20CX-5N0C1 mounting measurements 71x29mm 230V voltage AC NTC/PTC relay outputs 1 NO-20A(8) NTC/PTC NTC/PTC/DI protection IP54 -50 up to +150°C display 3½ digits		
<b>accessories for</b>	378000		
	<b>No.</b>	378194	<b>Ref. No.</b> —
	temperature probe NTC 10kOhm cable PVC probe -20 up to +80°C cable -10 up to 100°C probe ø7x24.5mm cable length 1.5m without screw connection 2-wire		
	<b>No.</b>	378551	<b>Ref. No.</b> —
	adapter for reducer mounting measurements 71x29mm		

<b>accessories for</b>	378000		
	<b>No.</b>	379052	<b>Ref. No.</b> —
	temperature probe PTC 1kOhm cable silicone probe -50 up to +150°C cable -50 up to +180°C probe ø6x40mm cable length 1.5m without screw connection 2-wire		
	<b>No.</b>	379053	<b>Ref. No.</b> —
	temperature probe PTC 1kOhm cable PVC probe -50 up to +150°C cable -10 up to 100°C probe ø6x30mm cable length 3m without screw connection 2-wire		
	<b>No.</b>	379057	<b>Ref. No.</b> —
	temperature probe NTC 10kOhm cable PVC probe -20 up to +80°C cable -10 up to 100°C probe ø6x25mm cable length 3m 2-wire		
	<b>No.</b>	379064	<b>Ref. No.</b> —
	temperature probe PTC 1kOhm cable silicone probe -50 up to +150°C cable -50 up to +180°C probe ø6x40mm cable length 3m without screw connection 2-wire		
	<b>No.</b>	379142	<b>Ref. No.</b> —
	temperature probe PTC 1kOhm cable PVC probe -50 up to +150°C cable -10 up to 100°C probe ø6x30mm cable length 1.5m without screw connection 2-wire		
	<b>No.</b>	379160	<b>Ref. No.</b> —
	temperature probe NTC 10kOhm cable thermoplastic probe -40 up to +110°C cable -40 up to +110°C probe ø6x14mm cable length 1.5m without screw connection 2-wire		
	<b>No.</b>	379161	<b>Ref. No.</b> —
	temperature probe NTC 10kOhm cable thermoplastic probe -40 up to +110°C cable -40 up to +110°C probe ø6x14mm cable length 3m without screw connection 2-wire		
	<b>No.</b>	379343	<b>Ref. No.</b> —
	temperature probe NTC 10kOhm cable silicone probe -40 up to +110°C cable -50 up to +180°C probe ø6x40mm cable length 3m 2-wire		
	<b>No.</b>	379458	<b>Ref. No.</b> —
	temperature probe NTC 10kOhm cable silicone probe -40 up to +110°C cable -50 up to +180°C probe ø6x40mm cable length 1.5m without screw connection 2-wire		
	<b>No.</b>	379781	<b>Ref. No.</b> —
	temperature probe PTC 1kOhm cable thermoplastic probe -50 up to +150°C cable -40 up to +110°C probe ø6x14mm cable length 1.5m without screw connection 2-wire		
	<b>No.</b>	379782	<b>Ref. No.</b> —
	temperature probe PTC 1kOhm cable thermoplastic probe -50 up to +150°C cable -40 up to +110°C probe ø6x14mm cable length 3m 2-wire resistor 1kOhm		
	<b>No.</b>	402818	<b>Ref. No.</b> —
	programming key 4K for electronic controller DIXELL		
	<b>No.</b>	699260	<b>Ref. No.</b> —
	connection cable L 2m connection coded plug		


→ electric components



built-in version 2-piece



1

<b>No.</b>	402068	<b>Ref. No.</b>	880312100
<b>description</b>	power PCB DIXELL XM470K-500C1 mounting measurements 132x152mm built-in depth 40mm 230V voltage AC NTC relay outputs 4 NO-8A(3) NO-20A(8) NO-8A(3) NO-16A(3) NO-8A(3) NTC NTC NTC -40 up to +110°C display		
<b>For models:</b>	927300200, 927300300		
<b>accessories for</b>	402068		
		<b>No.</b>	378278
		<b>Ref. No.</b>	—
	keypad unit DIXELL T640 mounting measurements 150x30mm built-in depth 23mmV voltage relay outputs°C display 3½ digits		

## compressors

ACC/ZEL

R404a/R507

HMBP monophase

High/Medium evaporation temperature above -20/-15 °C



1

<b>No.</b>	605068	<b>Ref. No.</b>	880218000
<b>description</b>	compressor coolant R404a/R507 type ML45TB 220-240V 50Hz HMBP fully hermetic 10kg 1/5HP cylinder capacity 4.5cm <sup>3</sup> CSIR H 175.5mmW 192W 246W 309W 382W 465W 557W 659W 771W test method ASHRAE		
<b>For models:</b>	925600100		



1

<b>No.</b>	605069	<b>Ref. No.</b>	880218400
<b>description</b>	compressor coolant R404a/R507 type ML80TG 220-240V 50Hz HMBP fully hermetic 11.2kg 3/8HP cylinder capacity 7.6cm <sup>3</sup> CSIR H 175.5mmWWW 386W 487W 603W 734W 880W 1041W test method ASHRAE ambient temperature max. 43°C		
<b>For models:</b>	925601400, 925603400, 925701100, 925702100		



1

<b>No.</b>	605028	<b>Ref. No.</b>	880216900
<b>description</b>	compressor coolant R404a/R507 type ML90TB 220-240V 50Hz HMBP fully hermetic 11.6kg 3/8HP cylinder capacity 8.85cm <sup>3</sup> CSIR H 175.5mmW 323W 418W 532W 666W 819W 990W 1181W 1391W test method ASHRAE ambient temperature max. 43°C		
<b>For models:</b>	925603500, 925701200, 925701300, 925702200, 925702300		



1

<b>No.</b>	605071	<b>Ref. No.</b>	880217400
<b>description</b>	compressor coolant R404a/R507 type MS26TB 230V 50Hz HMBP fully hermetic 23kg cylinder capacity 25.9cm <sup>3</sup> CSR 1295W 1687W 2132W 2631W 3184W 3791W test method ASHRAE		
<b>For models:</b>	927100200, 927100400, 927102200, 927102400, 927200300		



1

<b>No.</b>	605072	<b>Ref. No.</b>	880216500
<b>description</b>	compressor coolant R404a/R507 type MX18TBa 220-240V 50Hz HMBP fully hermetic 17.2kg 7/8HP cylinder capacity 18.4cm <sup>3</sup> CSR H 213mmW 640W 839W 1076W 1350W 1663W 2013W 2400W 2826W test method ASHRAE ambient temperature max. 43°C		
<b>For models:</b>	925701600, 925702600, 927100300, 927102300, 927200100, 927300200, 927300300		
<b>spare parts for</b>	605072		
	<b>No.</b>	365006	<b>Ref. No.</b>
	operating capacitor capacity 16µF 400V tolerance 5% 50/60Hz ambient temperature max. -25 to +85°C ø 35mm L 121mm M8 aluminium connection cable 300mm MKP protection IP65		
	<b>No.</b>	365128	<b>Ref. No.</b>
	operating capacitor capacity 16µF 450V tolerance 5% 50-60Hz ambient temperature max. -25 to +85°C ø 40mm L 100mm M8 aluminium connection male faston 6.3mm 16.26.16 protection		



1

<b>No.</b>	605093	<b>Ref. No.</b>	8802172
<b>description</b>	compressor coolant R404a/R507 type MX21TB 220-240V 50Hz HMBP 17.5kg 1HP cylinder capacity 20.73cm <sup>3</sup> CSR H 221mmW 733W 813W 892W 970W 1046W 1121W 1195W 1268W test method ASHRAE ambient temperature max. 43°C		

CUBIGEL

R404a/R507  
HMBP monophase

High/Medium evaporation temperature above -20/-15 °C



1

<b>No.</b>	605013	<b>Ref. No.</b>	880216700
<b>description</b>	compressor coolant R404a/R507 type ML60TB 220-240V 50Hz HMBP fully hermetic 10.1kg 1/4HP power input 647W cylinder capacity 5.68cm <sup>3</sup> CSIR H 175.5mmW 244W 319W 407W 511W 628W 760W 906W 1067W test method ASHRAE		
<b>For models:</b>	925600200, 925600300, 925601200, 925601300, 925603300		



1

<b>No.</b>	605029	<b>Ref. No.</b>	880217000
<b>description</b>	compressor coolant R404a/R507 type MP12RB 220-240V 50Hz HMBP fully hermetic 13.5kg 1/2HP cylinder capacity 12cm <sup>3</sup> CSR H 203.6mmW 561W 734W 933W 1157W 1407W 1681W 1982WW test method ASHRAE ambient temperature max. 43°C		
<b>For models:</b>	925701400, 925702400		





1			
<b>No.</b>	605067	<b>Ref. No.</b>	880217100
<b>description</b>	compressor coolant R404a/R507 type MPT14RA 220-240V 50Hz HMBP fully hermetic 13.5kg 1/2HP cylinder capacity 14.32cm <sup>3</sup> CSR H 210mmWWW 665W 720W 775W 829W 882W 934W test method ASHRAE		
<b>For models:</b>	925701500, 925702500, 927300100		

**EMBRACO / ASPERA**

R404a/R507

HMBP monophase

High/Medium evaporation temperature above -20/-15 °C



1			
<b>No.</b>	605149	<b>Ref. No.</b>	8802189
<b>description</b>	compressor coolant R404a/R507 type NEK6144GK 220-240V 50Hz HMBP fully hermetic 10kg 1/6HP cylinder capacity 4.51cm <sup>3</sup> CSIR H 190mmW 271W 326W 395W 480W 580W 694W 825W test method ASHRAE46		



1			
<b>No.</b>	605132	<b>Ref. No.</b>	8802195
<b>description</b>	compressor coolant R404a/R507 type NT6222GK 200-240V 50Hz HMBP fully hermetic 17kg 1HP cylinder capacity 17.39cm <sup>3</sup> CSR H 252mmW 810W 1032W 1040W 1174W 1307W 1583W 2247W test method ASHRAE		
<b>accessories for</b>	605132		

	<b>No.</b>	365142	<b>Ref. No.</b>	—
	operating capacitor capacity 15µF 450V with metal case tolerance 5% 50/60Hz ø 40mm L 110mm M8x1.25			
	<b>No.</b>	365153	<b>Ref. No.</b>	—
	starting capacitor 52µF 330V 50/60Hz duty cycle 3s 41280A133 2252347 ø 36mm L 83mm M8 plastic connection cable 350mm			
	<b>No.</b>	390981	<b>Ref. No.</b>	—
	klixon suitable for NT6222GK			

**L'UNITE HERMETIQUE / TECUMSEH**

R404A

HMBP monophase

High/Medium evaporation temperature above -20/-15 °C



1			
<b>No.</b>	605027	<b>Ref. No.</b>	880217400
<b>description</b>	compressor coolant R404A type CAJ4517Z 220-240V 50Hz HMBP fully hermetic 24kg 1.2HP cylinder capacity 25.95cm <sup>3</sup> CSR H 282mmWW 1588W 1987W 2451W 2971W 3536W 4132W test method EN 12900 4742W		




1

<b>No.</b>	605070	<b>Ref. No.</b>	880224900
<b>description</b>	compressor coolant R404a type CAJ9513Z 220-240V 50Hz HMBP fully hermetic 23kg 1.1HP cylinder capacity 24.2cm <sup>3</sup> CSR H 282mmW 930W 1269W 1654W 2086W 2568W 3096W 3671W test method EN 12900 4278W		

**SECOP DANFOSS**  
**R404a/R507**  
**HMBP monophase**

High/Medium evaporation temperature above -20/-15 °C




1

<b>No.</b>	605146	<b>Ref. No.</b>	8802143	
<b>description</b>	compressor coolant R404a/R507 type SC15MLX 220-240V 50Hz HMBP fully hermetic 14kg 3/4HP cylinder capacity 15.28cm <sup>3</sup> CSIR H 219mmW 758W 951W 1183W 1458W 1780W 2155WW test method ASHRAE			
<b>spare parts for</b>	605146			
	No.	381548	Ref. No.	—
	start relay DANFOSS			

**evaporation and condensing trays**


**condensing trays heated**

**producer-specific**




1

<b>No.</b>	750005	<b>Ref. No.</b>	222312100	
<b>description</b>	condensing tray heated L 240mm W 240mm H 250mm			
<b>For models:</b>	927100100, 927102100			
<b>spare parts for</b>	750005			
	No.	418732	Ref. No.	877107800
	heating element 650W 230V L 280mm W 95mm H 87mm L1 65mm L2 215mm cable length 1500mm connection distance 86mm tube ø 8.5mm heating circuits 1 immersion heater			




1

<b>No.</b>	750003	<b>Ref. No.</b>	226303600	
<b>description</b>	condensing tray heated L 240mm W 240mm H 75mm 230V 650W connect with power contactor			
<b>For models:</b>	927200200, 927300200, 927300300			
<b>spare parts for</b>	750003			
	No.	348139	Ref. No.	—
	float switch 250V 1A 1NO or 1NC thread M16x1.5 ø 17.4mm L 100.5mm mounting ø 28mm cable cable length 1500mm temp.-resist. -20 up to +90°C			
	No.	418732	Ref. No.	877107800
	heating element 650W 230V L 280mm W 95mm H 87mm L1 65mm L2 215mm cable length 1500mm connection distance 86mm tube ø 8.5mm heating circuits 1 immersion heater			
<b>accessories for</b>	750003			
	No.	380185	Ref. No.	880302100
	power relays Italiana Relè 230VAC 30A 1NO connection F6.3 bracket mounting dimensions 36.5x32.2x51.8mm manuf. no. A10-230AC-FA			






1


<b>No.</b>	750006	<b>Ref. No.</b>	222312200
<b>description</b>	condensing tray heated L 380mm W 240mm H 250mm		
<b>For models:</b>	927100200, 927100300, 927100400, 927102200, 927102300, 927102400		



1

<b>No.</b>	750004	<b>Ref. No.</b>	227206000
<b>description</b>	condensing tray heated L 380mm W 240mm H 75mm 230V 750W with float switch		
<b>For models:</b>	927200300		
<b>spare parts for</b>	750004		
	<b>No.</b>	<b>348139</b>	<b>Ref. No.</b>
			—
	float switch 250V 1A 1NO or 1NC thread M16x1.5 ø 17.4mm L 100.5mm mounting ø 28mm cable length 1500mm temp.-resist. -20 up to +90°C		
	<b>No.</b>	<b>418733</b>	<b>Ref. No.</b>
			877107900
	heating element 750W 230V L 430mm W 95mm H 98mm L1 85mm L2 345mm cable length 1500mm connection cable connection distance 86mm tube ø 8.5mm heating circuits 1 immersion heater		
<b>accessories for</b>	750004		
	<b>No.</b>	<b>380185</b>	<b>Ref. No.</b>
			880302100
	power relays Italiana Relè 230VAC 30A 1NO connection F6.3 bracket mounting dimensions 36.5x32.2x51.8mm manuf. no. A10-230AC-FA		

universal



1

<b>No.</b>	750007	<b>Ref. No.</b>	224011500
<b>description</b>	condensing tray heated L 300mm W 155mm H 105mm 230V 300W without level electrode		

fans

axial fans

ebm-papst



1

<b>No.</b>	601482 <sup>1</sup>	<b>Ref. No.</b>	880102000
<b>description</b>	axial fan L 119mm W 119mm H 38mm 230VAC 50/60Hz 13W bearing slide bearing manuf. no. 4580ZW connection cable 310mm ebm-papst temp.-resist. 65°C		
<b>For models:</b>	925701100, 925701200, 925701300, 925701400, 925701500, 925701600, 925702100, 925702200, 925702300, 925702400, 925702500, 925702600, 927300100, 927300200, 927300300		

<sup>1</sup>with ball bearings



1

<b>No.</b>	601089 <sup>1</sup>	<b>Ref. No.</b>	880101400
<b>description</b>	axial fan L 119mm W 119mm H 38mm 230VAC 50/60Hz 19W bearing slide bearing manuf. no. 4650N metal connection male faston 2.8mm ebm-papst fan wheel ø 110mm temp.-resist. 55°C		
<b>For models:</b>	927100100, 927100300, 927102100, 927102300, 927200300		
<b>accessories for</b>	601089		
	<b>No.</b>	<b>550898</b>	<b>Ref. No.</b>
			—
	connecting cable cable length 2000mm connection F 2.8 connection distance 7.9mm for axial flow fan		
	<b>No.</b>	<b>691104</b>	<b>Ref. No.</b>
			—
	guard ø 115mm mounting distance 105mm for axial fan 119mm		


<sup>1</sup>with slide bearings





1

<b>No.</b>	601481 <sup>1</sup>	<b>Ref. No.</b>	880103500
<b>description</b>	axial fan L 127mm W 127mm H 38mm 230VAC 50/60Hz 18W bearing slide bearing manuf. no. 5950W metal connection male faston 2.8mm ebm-papst fan wheel ø 120mm temp.-resist. 75°C		
<b>For models:</b>	927100200, 927100400, 927102200, 927102400		

<sup>1</sup>with slide bearings



1

<b>No.</b>	601038 <sup>1</sup>	<b>Ref. No.</b>	880100800 880101300
<b>description</b>	axial fan L 80mm W 80mm H 38mm 230VAC 50/60Hz 12W bearing ball bearing manuf. no. 8556N metal connection cable 300mm ebm-papst fan wheel ø 75mm temp.-resist. 90°C airflow 50m <sup>3</sup> /h		
<b>For models:</b>	925600100, 925600200, 925600300, 925601200, 925601300, 925601400, 925603300, 925603400, 925603500		
<b>accessories for</b>	601038		
	<b>No.</b>	691102	<b>Ref. No.</b> —
	guard ø 75mm mounting distance 71mm for axial fan 80mm		

<sup>1</sup>with ball bearings

refrigeration fans

refrigeration motors universal

ELCO

N series - multi fit




1

<b>No.</b>	601427	<b>Ref. No.</b>	880100300
<b>description</b>	fan motor ELCO 10W 230V 50/60Hz bearing slide bearing L1 49mm L2 59mm L3 86.5mm W 83mm connection cable 500mm 1300/1550rpm 5 mounting options VNT10-20/028		
<b>For models:</b>	925600100, 925600200, 925600300, 925601200, 925601300, 925601400, 925603300, 925603400, 925603500, 925701100, 925701200, 925701300, 925701400, 925701500, 925701600, 925702100, 925702200, 925702300, 925702400, 925702500, 925702600, 927100100, 927100200, 927100300, 927100400, 927102100, 927102200, 927102300, 927102400, 927200300, 927300100, 927300200, 927300300		
<b>spare parts for</b>	601427		
	<b>No.</b>	560140	<b>Ref. No.</b> —
	hexagonal nut thread M4 H 4.8mm SS WS 7 Qty 20 pcs DIN/ISO DIN 985 self-locking		
	<b>No.</b>	560332	<b>Ref. No.</b> —
	plain washer ID ø 4.3mm ED ø 9mm thickness 0.8mm SS Qty 1 pcs		
	<b>No.</b>	560340	<b>Ref. No.</b> —
	hexagonal nut thread M4 H 3.2mm WS 7 SS DIN/ISO DIN 934 / ISO 4032/8673 Qty 1 pcs		

electronic components

miscellaneous



1

<b>No.</b>	403602	<b>Ref. No.</b>	8803200
<b>description</b>	delayer starting relay suitable for MAFIROL L 70mm W 54mm H 54mm 230V input current 20A 50Hz		

## equipment-specific units

## for refrigerated counters

## spare parts and accessories



1

<b>No.</b>	691499	<b>Ref. No.</b>	876032300 879008600
<b>description</b>	bush eccentric for glass plate		
<b>For models:</b>	925600100, 925600200, 925600300, 925701100, 925701200, 925701300, 925701400, 925701500, 925701600, 925702100, 925702200, 925702300, 925702400, 925702500, 925702600		



1

<b>No.</b>	691498	<b>Ref. No.</b>	870730700
<b>description</b>	bush for glass plate $\varnothing$ 7.5mm		
<b>For models:</b>	925600100, 925600200, 925600300, 925601200, 925601300, 925601400, 925603300, 925603400, 925603500, 925701100, 925701200, 925701300, 925701400, 925701500, 925701600, 925702100, 925702200, 925702300, 925702400, 925702500, 925702600, 926002000, 926002500, 926002600, 926003000, 926003100, 926006900, 926007000, 926007500, 926007600, 926008100, 926008200		



1

<b>No.</b>	691497	<b>Ref. No.</b>	879002300 890004800
<b>description</b>	fastening angle for glass plate		
<b>For models:</b>	925600100, 925600200, 925600300, 925601200, 925601300, 925601400, 925603300, 925603400, 925603500, 925701100, 925701200, 925701300, 925701400, 925701500, 925701600, 925702100, 925702200, 925702300, 925702400, 925702500, 925702600		



1

<b>No.</b>	691493	<b>Ref. No.</b>	879002200 890004700
<b>description</b>	suction cup for glass plate		
<b>For models:</b>	925600100, 925600200, 925600300, 925601200, 925601300, 925601400, 925603300, 925603400, 925603500, 925701100, 925701200, 925701300, 925701400, 925701500, 925701600, 925702100, 925702200, 925702300, 925702400, 925702500, 925702600		

## for display coolers

## housing and bezels

## miscellaneous

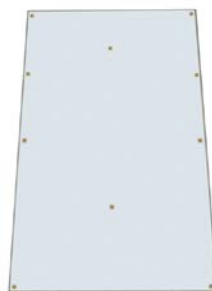


1

<b>No.</b>	692309	<b>Ref. No.</b>	222357700
<b>description</b>	curtain for display refrigerator W 590mm		
<b>For models:</b>	927200100		

## glass panels

## glass panels



1

<b>No.</b>	691501	<b>Ref. No.</b>	875036200
<b>description</b>	glass panel L 1419mm W 602mm thickness 6mm		
<b>For models:</b>	925600300		



1

<b>No.</b>	691500	<b>Ref. No.</b>	875036000
<b>description</b>	glass panel L 959mm W 602mm thickness 6mm		
<b>For models:</b>	925600100		



1

<b>No.</b>	691502	<b>Ref. No.</b>	875059400
<b>description</b>	glass panel mounting pos. lateral		
<b>For models:</b>	925600100, 925600200, 925600300		



doors



1

<b>No.</b>	691480	<b>Ref. No.</b>	8754405 875440500
<b>description</b>	door W 545mm H 335mm with gasket		
<b>For models:</b>	925600100, 925600200, 925600300, 925601200, 925601300, 925601400, 925603300, 925603400, 925603500, 925701100, 925701200, 925701300, 925701400, 925701500, 925701600, 925702100, 925702200, 925702300, 925702400, 925702500, 925702600		

hinges

accessories

shafts



1

<b>No.</b>	693137	<b>Ref. No.</b>	886079700
<b>description</b>	hinge pin ø 6mm L 18mm		

bearings



1

<b>No.</b>	693136	<b>Ref. No.</b>	870290600
<b>description</b>	hinge camp		

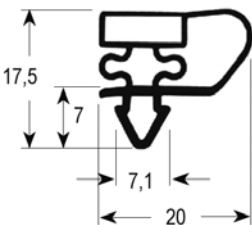
gaskets

refrigeration gaskets

plug-in gaskets

profile 9153

We offer custom-made gaskets for this profile



1

<b>No.</b>	900940	<b>Ref. No.</b>	879007200
<b>description</b>	refrigeration gasket profile 9153 W 345mm L 473mm plug size		

refrigeration cycle components

filter driers

miscellaneous



1

<b>No.</b>	750254	<b>Ref. No.</b>	880409800
<b>description</b>	dryer size 20g ø 19mm L 138mm connection 2,5/6,2mm		
<b>For models:</b>	925600100, 925600200, 925600300, 925601200, 925601300, 925601400, 925603300, 925603400, 925603500, 925701100, 925701200, 925701300, 925701400, 925702100, 925702200, 925702300, 925702400		



1

<b>No.</b>	750255	<b>Ref. No.</b>	8804099 880410000
<b>description</b>	dryer size 40g ø 24mm L 170mm connection 6,6/6,6mm		
<b>For models:</b>	925701500, 925701600, 925702500, 925702600, 927100100, 927100200, 927100300, 927100400, 927102100, 927102200, 927102300, 927102400		

fastening material

screws

sheet metal screws



1

<b>No.</b>	560104	<b>Ref. No.</b>	886015000
<b>description</b>	sheet metal screws ø 3.9mm L 19mm SS Qty 20 pcs DIN 7981/ISO 7049 head ø 7.5mm oval head		
<b>For models:</b>	926002500, 926002600, 926003000, 926003100, 926006900, 926007000, 926007500, 926007600, 926008100, 926008200		

## side bolts



1

<b>No.</b>	560052	<b>Ref. No.</b>	886012700
<b>description</b>	side bolts thread M5 L 10mm SS Qty 20 pcs intake slotted head ø 12.5mm		
<b>For models:</b>	925701100, 925701200, 925701300, 925701400, 925701500, 925701600, 925702100, 925702200, 925702300, 925702400, 925702500, 925702600		



1

<b>No.</b>	560053	<b>Ref. No.</b>	886012800
<b>description</b>	side bolts thread M5 L 16mm SS Qty 20 pcs intake slotted head ø 12.5mm		
<b>For models:</b>	925600100, 925600200, 925600300, 925701100, 925701200, 925701300, 925701400, 925701500, 925701600, 925702100, 925702200, 925702300, 925702400, 925702500, 925702600, 926002000, 926002500, 926002600, 926003000, 926003100, 926006900, 926007000, 926007500, 926007600, 926008100, 926008200, 927100100, 927100200, 927100300, 927100400, 927102100, 927102200, 927102300, 927102400		



1

<b>No.</b>	560345	<b>Ref. No.</b>	886012400
<b>description</b>	side bolts thread M5 L 22mm SS Qty 1 pcs head ø 12mm		
<b>For models:</b>	925600100, 925600200, 925600300, 925601200, 925601300, 925601400, 925603300, 925603400, 925603500		

## nuts

## hexagonal nuts

DIN 934 / ISO 4032/8673



1

<b>No.</b>	560132	<b>Ref. No.</b>	886003500
<b>description</b>	hexagonal nut thread M5 H 4mm WS 8 SS DIN/ISO DIN 934 / ISO 4032/8673 Qty 20 pcs		
<b>For models:</b>	925600100, 925600200, 925600300, 925601200, 925601300, 925601400, 925603300, 925603400, 925603500, 925701100, 925701200, 925701300, 925701400, 925701500, 925701600, 925702100, 925702200, 925702300, 925702400, 925702500, 925702600, 926002000, 926002500, 926002600, 926003000, 926003100		

## consumables

## containers

## canister



1

<b>No.</b>	890246	<b>Ref. No.</b>	876900100 879013900
<b>description</b>	canister 5l L 180mm W 180mm H 200mm		
<b>For models:</b>	925600100, 925600200, 925600300, 925601200, 925601300, 925601400, 925603300, 925603400, 925603500, 925701100, 925701200, 925701300, 925701400, 925701500, 925701600, 925702100, 925702200, 925702300, 925702400, 925702500, 925702600		