

Professionall

Solutii profesionale pentru echipamente profesionale



GAS COMPONENTS



ELECTRIC COMPONENTS



WATER TECHNOLOGY



MECHANICAL COMPONENTS



TOOLS

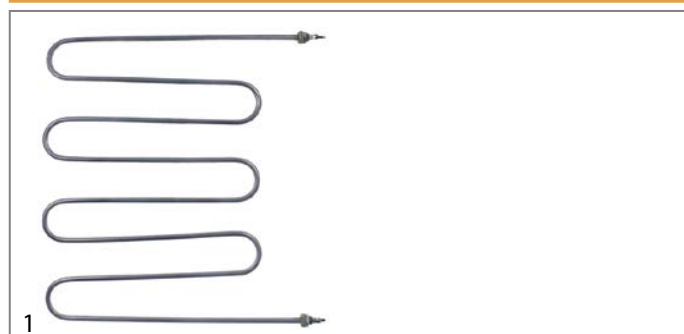
Spare parts suitable for




INOMAK

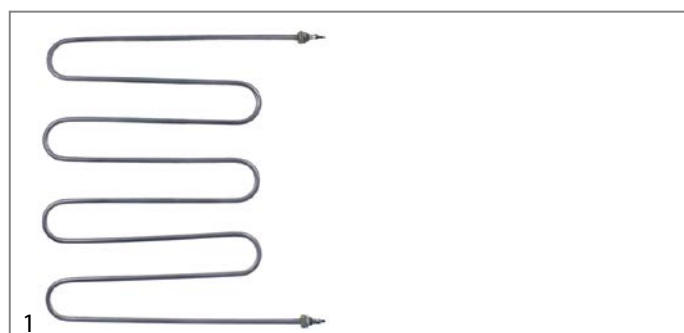




heating elements

heating elements for bain maries



No.	420033	Ref. No.	24500040100070 34500040100070 PAMP070
description	heating element 1300W 230V heating circuits 1 L 385mm W 440mm connection M4 tube ø 8.5mm thread 1/4" dry heating element bain marie mounting distance 432mm		
For models:	MD718, MF718, MH718, MI718		
accessories for	420033		
	No.	361182	Ref. No. —
	nut thread 1/4" H 5mm nickel-plated brass WS 17 Qty 1 pcs		
	No.	510417	Ref. No. —
	flat gasket fibre ED ø 20mm ID ø 14mm thickness 2mm Qty 1 pcs		
	No.	560340	Ref. No. —
	hexagonal nut thread M4 H 3.2mm WS 7 SS DIN/ISO DIN 934 / ISO 4032/8673 Qty 1 pcs		



No.	420032	Ref. No.	24500040100541 34500040100541 PAMP541
description	heating element 2000W 230V heating circuits 1 L 385mm W 440mm connection M4 tube ø 8.5mm thread 1/4" dry heating element bain marie mounting distance 432mm		
For models:	MA610, MA614, MA67, MB610, MB614, MB67, MD711, MD714, MF711, MF714, MH711, MH714, MI711, MI714		
accessories for	420032		
	No.	361182	Ref. No. —
	nut thread 1/4" H 5mm nickel-plated brass WS 17 Qty 1 pcs		
	No.	510414	Ref. No. —
	flat gasket copper ED ø 18mm ID ø 14mm thickness 1mm		

heating elements for refrigeration

heating elements for defrosting



No.	420024	Ref. No.	34500040100660 PADR660
description	heating element 150W 230V L 190mm W 215mm Hmm L1 30mm L2 160mm W1 180mm W2 35mm cable length 1500mm tube ø 6.5mm refrigeration		
For models:	CA170, CA170SL, CB170, CB170SL, CE2140, CE2140SL, CF2140, CF2140SL, CW2140, CZ170		



No.	420023	Ref. No.	24500040100600 34500040100600 PAER600
description	heating element 300W 230V L 405mm W 110mm L1 35mm L2 370mm W1 50mm W2 60mm cable length 700mm tube ø 6.5mm refrigeration for evaporator		
For models:	CF2140, CF2140SL, CW2140		




No.	420021	Ref. No.	24500040100601 34500040100601 PAER601
description	heating element 420W 230V L 685mm W 120mm L1 35mm L2 650mm W1 50mm W2 70mm cable length 1500mm tube ø 6.5mm refrigeration for evaporator		
For models:	CB170, CB170SL, CZ170		





No.	420020	Ref. No.	24500040100688 PAER688
description	heating element 700W 230V L 490mm W 100mm L1 28mm L2 462mm W1 70mm W2 30mm cable length 700mm tube ø 6.5mm refrigeration for evaporator		
For models:	CB170, CB170SL, CZ170		





heating elements for convection

			
1			
No.	420035	Ref. No.	24500040100735 34500040100735 PBA735
description	heating element 1400W 230V heating circuits 1 ID ø 180mm ED ø 198mm L 215mm H 51mm thread 1/4" connection M4 mounting distance 38mm tube ø 8.5mm		
For models:	GE711, GE714		

			
1			
No.	420034	Ref. No.	24500040100732 34500040100732 PBA732
description	heating element 1800W 230V heating circuits 1 ID ø 180mm ED ø 198mm L 215mm H 51mm thread 1/4" connection M4 mounting distance 38mm tube ø 8.5mm		
For models:	GE716, GE719, MH711, MH714, MH718, MI711, MI714, MI718		

			
1			
No.	420270	Ref. No.	34500040100688
description	heating element 700W 230V L 490mm W 40mm H 60mm cable length 700mm tube ø 6.5mm immersion heater defrosting		


			
1			
No.	420022	Ref. No.	24500040100689 34500040100689 PAER689
description	heating element 900W 230V L 685mm W 110mm L1 32mm L2 653mm W1 70mm W2 40mm cable length 700mm tube ø 6.5mm refrigeration for evaporator		
For models:	CF2140, CF2140SL, CW2140		


			
1			
No.	420025	Ref. No.	24500040100191 34500040100191 PADR191
description	heating element L 120mm W 320mm Hmm L1 30mm L2 90mm W1 280mm W2 40mm cable length 710/930mm tube ø 6.5mm refrigeration		
For models:	CA170, CB170, CE2140, CF2140		


heating cables

connection on both sides

with wire end ferrules

			
1			
No.	420027	Ref. No.	24500040100015 34500040100015 PAAE015
description	heating cable 19W 12V L 2500mm L1 (unheated) 1000mm L2 (heated) 1500mm for defrost drain ø 3mm		
For models:	CB170, CB170SL, CF2140, CF2140SL		


			
1			
No.	420026	Ref. No.	34500040100973 PAPE973
description	heating cable 43.2W 230V L 6200mm L1 (unheated) 800mm L2 (heated) 5400mm door frame heating ø 3mm Qty 1		

			
1			
No.	420517	Ref. No.	34000040100340 34500040100971 PAPE340
description	heating cable 75W 12V L 6200mm L1 (unheated) 800mm L2 (heated) 5400mm door frame heating ø 3mm Qty 1		
For models:	CB170, CB170SL, CF2140, CF2140SL		

thermostats

bi-metal thermostats

bi-metal thermostats

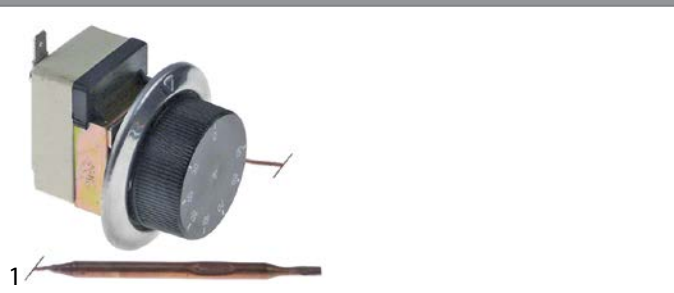
			
1			
No.	390715	Ref. No.	24500040100500 34500040100500 PHCU500
description	bi-metal thermostat switch-off temp. 110°C NC 1-pole 16A 250V connection F6.3		
For models:	GE711, GE714, GE716, GE719, MH711, MH714, MH718, MI711, MI714, MI718		



control and safety thermostats

IMIT / TEMPOMATIC / ARTERMO

control thermostats



No.	390713	Ref. No.	24500040100152 34500040100152 PTMM152
description	thermostat t.max. 100°C temperature range 30-90°C 1-pole 1NC 16A probe ø 6mm probe L 98mm capillary pipe 900mm capillary pipe isolatedmm gland nut shaft ø 6x4.6mm shaft L 18mm shaft position upper rotation 270° probe material copper		
For models:	GE711, GE714, GE716, GE719, MA610, MA614, MA67, MB610, MB614, MB67, MD711, MD714, MD718, MF711, MF714, MF718, MH711, MH714, MH718, MI711, MI714, MI718		

toggle switches

M12x0.75



No.	346526	Ref. No.	24500040100960 34500040100960 PDOF960
description	toggle switch thread M12x0.75 1CO 250V 15A ON-ON male faston 6.3mm		
For models:	BS7300, MB610, MB614, MB67, MF711, MF714, MF718, MI711, MI714, MI718, ZQ99, ZQ999		



No.	347344	Ref. No.	24500040100161 34500040100161 PDOF161
description	toggle switch thread M12x0.75 1NO 250V 15A male faston ON-OFF		
For models:	MB610, MB614, MB67, MF711, MF714, MF718, MI711, MI714, MI718		

switches and momentary switches

rocker/momentary rocker switches

30x11mm



No.	301039	Ref. No.	24500040100295 34500040100295 PDOF295
description	rocker switch mounting measurements 30x11mm red 1NO/indicator light 250V 16A connection male faston 6.3mm		
For models:	BS7300, MB610, MB614, MB67, MF711, MF714, MF718, MI711, MI714, MI718, ZQ99, ZQ999		

30x22mm



No.	301001	Ref. No.	24500040100290 34500040100290 PDMO290
description	rocker switch mounting measurements 30x22mm red 2NO 250V 16A illuminated 0-I connection male faston 6.3mm ambient temperature max. 125/55°C protection IP65		
For models:	BP7300, BS7300, BS77, CA170, CB170, CE2140, CF2140, PM99, PM999, PM9999, PN2229, PN229, PN29, PN99, PN999, PN9999, WV179, WV224, ZQ99, ZQ999		

accessories for	301001	No.	301036	Ref. No.	—
	protective cover internal size 30x22mm for rocker switch mounting measurementsmm				

microswitches

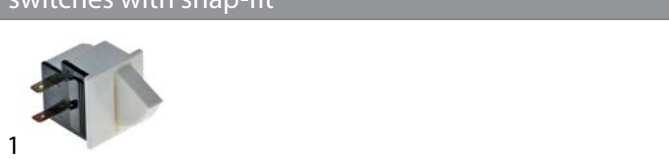
lever actuated



No.	347346	Ref. No.	24500040100503 34500040100503 PTDR503
description	microswitch with lever 250V 16A 1CO connection screw ambient temperature max. 125°C lever length 147mm		
For models:	CB170, CF2140		

with push button

switches with snap-fit



No.	347347	Ref. No.	24500040100729 34500040100729 PTDR729
description	microswitch with push button 250V 5A 1NO connection male faston 4.8mm L 29x25mm ambient temperature max. 85°C		
For models:	CB170, CB170SL, CF2140, CF2140SL		



lamps

indicator lights

indicator lights 3-piece (housing, lens and bulb)

lamps

light bulbs




1			
No.	359752	Ref. No.	24500040100158 34500040100158 PEL158
description	light bulb socket E10 220V ø 10mm L 26mm		
For models:	MA610, MA614, MA67, MB610, MB614, MB67, MD711, MD714, MD718, MF711, MF714, MF718, MH711, MH714, MH718, MI711, MI714, MI718		

indicator lights (complete)

ø18mm



1			
No.	359751	Ref. No.	24500040100155 34500040100155 PEL155
description	indicator light housings mounting measurements 18mm socket E10 red connection male faston 6.3mm/screw connection		
For models:	MA610, MA614, MA67, MB610, MB614, MB67, MD711, MD714, MD718, MF711, MF714, MF718, MH711, MH714, MH718, MI711, MI714, MI718		
accessories for	359751		
	No.	359752	Ref. No.
			light bulb socket E10 220V ø 10mm L 26mm

screw-on/push-on fit

light bulbs


for indicator lights



1			
No.	359752	Ref. No.	24500040100158 34500040100158 PEL158
description	light bulb socket E10 220V ø 10mm L 26mm		
For models:	MA610, MA614, MA67, MB610, MB614, MB67, MD711, MD714, MD718, MF711, MF714, MF718, MH711, MH714, MH718, MI711, MI714, MI718		

linear lamps

halogen lamps

1			
No.	359313	Ref. No.	24500040100040 34500040100040 PLH040
description	halogen lamp socket R7s L 117.6mm 230V 150W IMPORT		
For models:	MB610, MB614, MB67, MF711, MF714, MF718, MI711, MI714, MI718		

sockets for linear lamps

R7s




1			
No.	359753 ¹	Ref. No.	24500040100705 34500040100705 PREF705
description	lamp socket socket R7 mounting measurements 146x60mm ømm for length of lamp 117.6mm H 62mm connection cable 450mm mounting distance 175mm with glass plate hot bar 184		
For models:	MB610, MB614, MB67, MF711, MF714, MF718, MI711, MI714, MI718		


¹only suitable for linear halogen lamps up to max. 160W

fluorescent lamps

fluorescent lamps

G5

1			
No.	359745	Ref. No.	24500040100052 34500040100052 PLF052
description	fluorescent lamp socket T5 L 560mm 18W ø 16mm 230V Qty 1 pcs		
For models:	BS7300, ZQ99		

1			
No.	359746	Ref. No.	24500040100050 34500040100050 PLF050
description	fluorescent lamp socket T5 L 860mm 21W ø 16mm 230V Qty 1 pcs		
For models:	ZQ999		

complete with holder




1

No.	359743	Ref. No.	24500040100668 34500040100668 PLFC668
description	fluorescent lamp socket T5 L 570mm W 43mm 13W 240V		
For models:	BS7300, ZQ99		




1

No.	360760	Ref. No.	34002450000228 PLDLC0228
description	fluorescent lamp socket T5 L 600mm		



1

No.	360761	Ref. No.	34002450000229 PLDLC0229
description	fluorescent lamp socket T5 L 900mm type PLDLC0229		




1

No.	359744	Ref. No.	24500040100657 34500040100657 PLFC657
description	fluorescent lamp socket T5 L 900mm W 42mm 21W 230V plug type male/female without switch with mounting clips		
For models:	ZQ999		

accessories


starter



1

No.	380464	Ref. No.	24500040100166 34500040100166 PSTR166
description	starter 4-65W		
For models:	BS7300, MB610, MB614, MB67, MF711, MF714, MF718, MI711, MI714, MI718, ZQ99, ZQ999		

ballasts




1

No.	402563	Ref. No.	24500040100153 34500040100153 P-ML-153
description	electrical ballast 40W 230V for fluorescent lamps		
For models:	BS7300, MB610, MB614, MB67, MF711, MF714, MF718, MI711, MI714, MI718, ZQ99, ZQ999		

transformers

open transformers

with cable connection




1

No.	403790	Ref. No.	34500040100354
description	transformer primary 220 secondary 12 0.08kW H 75mm L 99mm W 84mm connection cable		

encapsulated transformers

PMA



1

No.	379054	Ref. No.	24500040100717 34500040100717 PMET717
description	transformer primary 230VAC secondary 12VAC 3VA secondary 0.25A H 40mm L 45mm W 50mm connection screw 50/60Hz type 153/M		
For models:	CB170, CB170SL, CF2140, CF2140SL, CW2140, CZ170		



electronic controllers

KIOUR

universal controllers

built-in version





1

No.	379491	Ref. No.	24500040100696 34500040100696 PKBM696
description	electronic controller KIOUR mounting measurements 71x29mm 230V voltage AC PTC relay outputs 2 -19 up to +99°C display 2 digit REF-BERI-SM V2 12A 30A		
For models:	GE711, GE714, GE716, GE719, MA610, MA614, MA67, MB610, MB614, MB67, MD711, MD714, MD718, MF711, MF714, MF718, MH711, MH714, MH718, MI711, MI714, MI718		

built-in version 2-piece



1







No.	379754	Ref. No.	34500040100377+34500040100379 34500040100378 REF-BERI-EXR+PKUR377	
description	electronic controller KIOUR type REF-BERI-ExR mounting measurements 71x29mm 230V voltage AC PTC relay outputs 2 NO-12A NO-30A PTC DI built-in depthmm -19 up to +99°C display 2 digit			
spare parts for	379754			
	No.	380867	Ref. No.	—
	relay SHANGFANG 12VDC 30A 1NO connection male faston 6.3mm screw mounting at 250V 30A manuf. no. 855AW-1A-C1			
accessories for	379754			
	No.	380867	Ref. No.	—
	relay SHANGFANG 12VDC 30A 1NO connection male faston 6.3mm screw mounting at 250V 30A manuf. no. 855AW-1A-C1			

refrigeration controllers


built-in version




1


No.	379494	Ref. No.	24500029100714 34500029100714 PKUR714	
description	electronic controller KIOUR type REF-DF-SM V4.2 mounting measurements 71x29mm 230V voltage AC PTC relay outputs 3 NO-25A NO-5A NO-5A PTC level sensor front measurementsmm built-in depth 76mm protection IP44 accuracy 1% built-in version defr. funct. -19 up to +99°C display 2½ digit			
For models:	BP7300, BS7300, BS77, CA170, CA170SL, CE2140, CE2140SL, PM99, PM999, PM9999, PN2229, PN229, PN99, PN999, PN9999, WV179, WV224, ZQ99, ZQ999			
accessories for	379494			
	No.	378067	Ref. No.	—
	temperature probe PTC 1kOhm cable silicone probe -50 up to +150°C cable -50 up to +180°C probe ø6x40mm cable length 2m without screw connection 2-wire			
	No.	378068	Ref. No.	—
	temperature probe PTC 1kOhm cable silicone probe -50 up to +150°C cable -50 up to +180°C probe ø6x40mm cable length 7m without screw connection 2-wire			
	No.	378069	Ref. No.	—
	temperature probe PTC 1kOhm cable silicone probe -50 up to +150°C cable -50 up to +180°C probe ø6x40mm cable length 15m without screw connection 2-wire			
	No.	378070	Ref. No.	—
	temperature probe PTC 1kOhm cable silicone probe -50 up to +150°C cable -50 up to +180°C probe ø6x40mm cable length 30m without screw connection 2-wire			
	No.	379052	Ref. No.	—
	temperature probe PTC 1kOhm cable silicone probe -50 up to +150°C cable -50 up to +180°C probe ø6x40mm cable length 1.5m without screw connection 2-wire			
	No.	379064	Ref. No.	—
	temperature probe PTC 1kOhm cable silicone probe -50 up to +150°C cable -50 up to +180°C probe ø6x40mm cable length 3m without screw connection 2-wire			





			
1			
No.	379847 ¹	Ref. No.	34000094000467 34500029100713 PETS467 PLDU713
description	electronic controller KIOUR type REF-DF-SM V4.2 mounting measurements 71x29mm 230V voltage AC PTC relay outputs 3 NO-25A NO-5A NO-5A PTC level sensor front measurementsmm built-in depth 76mm protection IP54 accuracy 1% built-in version 1x PTC probe inclusive defr. funct. -19 up to +99°C display 2½ digit		
For models:	BP7300, BS7300, BS77, CA170, CE2140, PM99, PM999, PM9999, PN2229, PN229, PN99, PN999, PN9999, WV179, WV224, ZQ99, ZQ999		

¹incl. 1x PTC probe

			
2			
No.	379493	Ref. No.	24500029100715 34500029100715 PKUR715
description	electronic controller KIOUR type REF-FR-SM V2.0 mounting measurements 71x29mm 12V voltage AC/DC PTC relay outputs 5 NO-25A NO-5A NO-5A NO-5A NO-5A PTC PTC DI level sensor front measurementsmm built-in depth 76mm protection IP44 accuracy 1% built-in version defr. funct. -19 up to +99°C display 2½ digit		
For models:	CB170, CB170SL, CF2140, CF2140SL, CW2140, CZ170		

			
1			
No.	389008	Ref. No.	34002450000104 PKUR0104
description	electronic controller KIOUR type RSD3 mounting measurements 71x29mm 230V voltage AC PTC relay outputs 3 NO-25A NO-10A NO-10A PTC DI front measurements 59x89mm built-in depth 76mm built-in version yes defr. funct. yes -50 up to +150°C display 3 digits		

			
1			
No.	389000	Ref. No.	3400029100555 P-KUR-555
description	electronic controller KIOUR type RSD-TOUCH mounting measurements 71x29mm 230V voltage AC PTC relay outputs 3 NO-25A NO-10A NO-10A PTC DI level sensor front measurements 59x89mm built-in depth 76mm protection IP54 built-in version yes defr. funct. -19 up to +99°C display 3 digits		

			
1			
No.	389007	Ref. No.	34002450000105 PKUR0105
description	electronic controller KIOUR type RSP4 mounting measurements 71x29mm 230V voltage AC PTC relay outputs 4 NO-10A NO-25A NO-3A NO-3A PTC DI PTC front measurements 59x89mm built-in depth 76mm protection IP54 built-in version yes defr. funct. yes -50 up to +100°C display 3 digits		

built-in version 2-piece

			
1			
No.	379492	Ref. No.	24500029100459 34500029100459 P-KUR-459
description	control element KIOUR type REF-FR-SP mounting measurements 71x29mmV voltage relay outputs front measurementsmm built-in depth 76mm protection IP54 accuracy 1% built-in version defr. funct.°C display 3 digits		
For models:	CB170, CB170SL, CF2140, CF2140SL, CW2140, CZ170		
accessories for	379492		
	No.	400339	Ref. No.
	 ribbon cable 16-pole L 460mm plug type 2 row Qty 1m		



No.	389001	Ref. No.	34500029100750 PKUR750
description	control element KIOUR type REF-FR-SP-TOUCH mounting measurements 71x29mmV voltage relay outputs front measurements 88x60mm defr. funct.°C display 3 digits		
accessories for	389001		
	No.	379495	Ref. No.
	electronic controller KIOUR type REF-FR-SB V3.0 mounting measurements 165x80x52mm 230V voltage AC PTC relay outputs 5 NO-30A NO-10A NO-10A NO-10A NO-10A PTC PTC DI level sensor front measurements 165x80x52mm built-in depthmm protection IP54 accuracy 1% defr. funct. -50 up to +100°C display		
	No.	400339	Ref. No.
	ribbon cable 16-pole L 460mm plug type 2 row Qty 1m		



No.	389003	Ref. No.	34500029100502
description	control element KIOUR type RSPFL TOUCH mounting measurements 71x29mmV voltage relay outputs front measurements 88x60mm defr. funct.°C display 3 digits		
accessories for	389003		
	No.	389005	Ref. No.
	electronic controller KIOUR type RSPBL mounting measurements 165x80x52mm 230V voltage AC PTC relay outputs 6 NO-30A NO-10A NO-10A NO-10A NO-10A PTC PTC DI level sensor front measurements 165x80x52mm built-in depthmm protection IP54 accuracy 1% defr. funct. -50 up to +100°C display		
	No.	400339	Ref. No.
	ribbon cable 16-pole L 460mm plug type 2 row Qty 1m		



No.	389002	Ref. No.	34500029100501
description	control element KIOUR type RSDFL TOUCH mounting measurements 71x29mmV voltage relay outputs front measurements 88x60mm defr. funct.°C display 3 digits		
accessories for	389002		
	No.	389004	Ref. No.
	electronic controller KIOUR type RSDBL mounting measurements 165x80x52mm 230V voltage AC PTC relay outputs 4 NO-25A NO-10A NO-10A NO-10A PTC PTC DI level sensor front measurements 165x80x52mm built-in depthmm protection IP54 accuracy 1% defr. funct. -50 up to +100°C display		
	No.	400339	Ref. No.
	ribbon cable 16-pole L 460mm plug type 2 row Qty 1m		



No.	379809	Ref. No.	24500029100468 34000094000427 34500029100468 PBETS468 PETS427
description	electronic controller KIOUR type REF-FR-SB V2.0 mounting measurements 71x29mm 230V voltage AC PTC relay outputs 5 NO-25A NO-10A NO-10A NO-10A NO-10A PTC PTC DI level sensor front measurementsmm built-in depth 76mm protection IP54 accuracy 1% yes defr. funct. -50 up to +150°C display 2½ digit		
For models:	BP7300, BS7300, BS77, CA170, CE2140, PM99, PM999, PM9999, PN2229, PN229, PN29, PN99, PN999, PN9999, ZQ99, ZQ999		



1			
No.	379495	Ref. No.	24500029100460 34500029100460 P-BETF-460
description	electronic controller KIOUR type REF-FR-SB V3.0 mounting measurements 165x80x52mm 230V voltage AC PTC relay outputs 5 NO-30A NO-10A NO-10A NO-10A NO-10A PTC PTC DI level sensor front measurements 165x80x52mm built-in depthmm protection IP54 accuracy 1% defr. funct. -50 up to +100°C display		
For models:	CB170, CB170SL, CF2140, CF2140SL, CW2140, CZ170		
accessories for	379495		
	No.	389001	Ref. No.
	control element KIOUR type REF-FR-SP-TOUCH mounting measurements 71x29mmV voltage relay outputs front measurements 88x60mm defr. funct.°C display 3 digits		
	No.	400339	Ref. No.
	ribbon cable 16-pole L 460mm plug type 2 row Qty 1m		



1			
No.	389005	Ref. No.	34500029100500
description	electronic controller KIOUR type RSPBL mounting measurements 165x80x52mm 230V voltage AC PTC relay outputs 6 NO-30A NO-10A NO-10A NO-10A NO-10A NO-10A PTC PTC DI level sensor front measurements 165x80x52mm built-in depthmm protection IP54 accuracy 1% defr. funct. -50 up to +100°C display		
accessories for	389005		
	No.	389003	Ref. No.
	control element KIOUR type RSPFL TOUCH mounting measurements 71x29mmV voltage relay outputs front measurements 88x60mm defr. funct.°C display 3 digits		
	No.	400339	Ref. No.
	ribbon cable 16-pole L 460mm plug type 2 row Qty 1m		



1			
No.	389004	Ref. No.	24500029100499
description	electronic controller KIOUR type RSDBL mounting measurements 165x80x52mm 230V voltage AC PTC relay outputs 4 NO-25A NO-10A NO-10A NO-10A PTC DI level sensor front measurements 165x80x52mm built-in depthmm protection IP54 accuracy 1% defr. funct. -50 up to +100°C display		
accessories for	389004		
	No.	389002	Ref. No.
	control element KIOUR type RSDFL TOUCH mounting measurements 71x29mmV voltage relay outputs front measurements 88x60mm defr. funct.°C display 3 digits		
	No.	400339	Ref. No.
	ribbon cable 16-pole L 460mm plug type 2 row Qty 1m		

accessories

1			
	No.	400339	Ref. No.
	ribbon cable 16-pole L 460mm plug type 2 row Qty 1m		
For models:	CB170, CB170SL, CF2140, CF2140SL, CW2140, CZ170		

LAE

refrigeration controllers

built-in version

1			
	No.	378266	Ref. No.
	electronic controller LAE type LDU151E-AG mounting measurements 71x29mm 230V voltage AC front measurements 77x35mm -25 up to +25°C display 2½ digit 8A compressor relay 16A		
No.	378266	Ref. No.	24500029100713 34500029100713 PLDU713
description	electronic controller LAE type LDU151E-AG mounting measurements 71x29mm 230V voltage AC front measurements 77x35mm -25 up to +25°C display 2½ digit 8A compressor relay 16A		



built-in version 2-piece



1			
No.	379484	Ref. No.	24500029100649 34500029100649 PBETF649
description	electronic controller LAE type SSD90B35E-C mounting measurements 165x125mm 230V voltage AC PTC relay outputs 6 NO-20A(6) CO-12A(4) NO-8A(3) NO-8A(3) CO-8A(3) NO-7A(2) PTC PTC DI front measurementsmm built-in depthmm protection IP30 yes -50 up to +150°C display		
For models:	CB170, CF2140		
accessories for	379484		
	No.	378414	Ref. No. —
	surface probe PTC 1kOhm cable silicone probe -50 up to +200°C cable -50 up to +180°C connection coded plug thread probe ø6x35mm cable length 2m		
	No.	379483	Ref. No. —
	keypad unit LAE type SMD34RU mounting measurements 185x31mmV voltage relay outputs front measurementsmm built-in depthmm protection IP55°C display 3 digits		
	No.	403465	Ref. No. —
	connection cable LAE type FC10-20M01		

1			
No.	379498	Ref. No.	24500029100427 34500029100427 PETF427
description	electronic controller LAE type SMD12RU20 mounting measurements 71x29mm display 3 digits		
For models:	CB170, CF2140		

SHANGFANG accessories

1			
No.	379054	Ref. No.	24500040100717 34500040100717 PMET717
description	transformer primary 230VAC secondary 12VAC 3VA secondary 0.25A H 40mm L 45mm W 50mm connection screw 50/60Hz type 153/M		
For models:	CB170, CB170SL, CF2140, CF2140SL, CW2140, CZ170		



1			
No.	379497	Ref. No.	24500029100467 34000094000467 34500029100467 PETS467
description	electronic controller LAE type BIT12RU20 mounting measurements 71x29mmV voltage relay outputs front measurementsmm built-in depth 20mm protection°C display 2½ digit		


probes universal probes

1			
No.	379835	Ref. No.	34500029100447 PPRB447
description	temperature probe NTC 2kOhm cable thermoplastic probe -40 up to +110°C cable -40 up to +110°C probe ø6x20mm cable length 2m 2-wire		
For models:	CA170, CB170, CE2140, CF2140		


producer-specific probes

1			
No.	402559	Ref. No.	24500029100447
description	temperature probe cable length 900m probe ø 7mm probe L 41mm		



1 

No.	402558	Ref. No.	24500029100478 34500029100478 PPRB143 PPRB478
description	temperature probe PTC cable PVC probe -50 up to +150°C cable -10 up to 100°C connection male faston thread probe ø6x30mm cable length 1.9m		
For models:	CA170, CA170SL, CB170, CB170SL, CE2140, CE2140SL, CF2140, CF2140SL, CW2140, CZ170		

1 

No.	402560	Ref. No.	24500040100168 34500040100168 PPRB168
description	temperature probe PTC cable silicone probe -50 up to +150°C cable -50 up to +180°C connection 2-wire thread probe ø6.5x30mm cable length 1.1m		
For models:	GE711, GE714, GE716, GE719, MA610, MA614, MA67, MB610, MB614, MB67, MD711, MD714, MD718, MF711, MF714, MF718, MH711, MH714, MH718, MI711, MI714, MI718		

solenoid valves

solenoid valves (refrigeration)


CASTEL

valves

1 

No.	370588	Ref. No.	24500029100457 34500029100457 PELV457
description	solenoid valve NC type 1028/2 S 230V connection 1/4" soldering connection -35 up to +105°C CASTEL refrigeration straight		
For models:	CB170, CB170SL, CF2140, CF2140SL		

electrodes

1 

No.	403296	Ref. No.	34000000000122 AIS122
description	level electrode push-in total length 167mm probe L 115mm connection male faston 6.3mm ø 3mm		

compressors

L'UNITE HERMETIQUE / TECUMSEH

R134A

HMBP monophase

High/Medium evaporation temperature above -20/-15 °C



No.	605159	Ref. No.	P-COM-529
description	compressor coolant R134a type AE4430Y-FZ1A 220-240V 50Hz HMBP 9.7kg 1/4HP power inputW cylinder capacity 8cm ³ CSIR H 200mmWWW 294W 382W 488W 613W 760W 930W 1127W		
For models:	BP7300, B57300, B577, CA170SL, PM99, PM999, PN229, PN29, PN99, PN999		



No.	605188	Ref. No.	34500029100424 P-COM-424
description	compressor coolant R134a type AE4440Y-FZ 220-240V 50Hz HMBP 10kg 1/3HP cylinder capacity 10.33cm ³ CSIR H 200mmWWW 399W 508W 637W 790W 968W 1176W		
For models:	CA170, CZ170, PM9999, PN2229, PN9999, ZQ99, ZQ999		



No.	605160	Ref. No.	PCOM521
description	compressor coolant R134a type CAJ4461Y 220-240V 50Hz HMBP 20kg 1/2HP power input 728W cylinder capacity 18.3cm ³ CSIR H 258mmWWW 475W 642W 856W 1115W 1421WW		
For models:	CE2140, CW2140		



R404A

LBP monophase

Lower evaporation temperature below -20°C



No.	605134	Ref. No.	34500029100497 PCOM497
description	compressor coolant R404A type CAJ2446Z 220-240V 50Hz LBP 23kg 1.2HP cylinder capacity 26.1cm ³ CSR H 280mm 797W 1110W 1423W 1821W 2290WWWWW 549W		
For models:	CF2140		

evaporation and condensing trays

evaporation trays heated



No.	750394	Ref. No.	3400000000169 .PSEN169 34000000901802 P-SEN-100 P-SEN-802
description	evaporation tray complete with heating element and level electrode L 245mm W 30mm H 235mm 230V 150W		
For models:	CA170, CA170SL, CB170, CB170SL, CE2140, CE2140SL, CF2140, CF2140SL, CW2140, CZ170		

fans

axial fans

import



No.	601510 ¹	Ref. No.	24500029100523 24500029100524 34500029100523 34500029100524 PFC523 PFC524
description	axial fan L 119mm W 119mm H 38mm 230VAC 50/60Hz 22/21W bearing ball bearing connection male faston 6.3mm SUNON temp.-resist. 70°C		
For models:	BP7300, BS7300, BS77, PM99, PM999, PM9999, PN2229, PN229, PN29, PN99, PN999, PN9999, WV179, WV224, ZQ99, ZQ999		

¹with ball bearings



No.	601692 ¹	Ref. No.	24500029100523 alt 34500029100523 alt PFC523 alt
description	axial fan L 119mm W 119mm H 38mm 230VAC 50/60Hz bearing ball bearing connection male faston 2.8mm SUNON fan wheel ø 110mm input current 0.125A		

¹with ball bearings



refrigeration fans

refrigeration motors universal

IMPORT

multi fit fan motors



1			
No.	601022	Ref. No.	24500029100406 34500029100406 PEM406
description	fan motor 10W 230V 50-60Hz L1 44mm L2 54mm L3 85mm W 84mm cable length 500mm 1300rpm YZF10-20-18/26 5 mounting options bearing slide bearing		
For models:	BP7300, BS7300, BS77, CA170, CA170SL, CE2140, CE2140SL, CF2140, CF2140SL, CW2140, CZ170, PM99, PM999, PM9999, PN2229, PN229, PN29, PN99, PN999, PN9999, ZQ99, ZQ999		

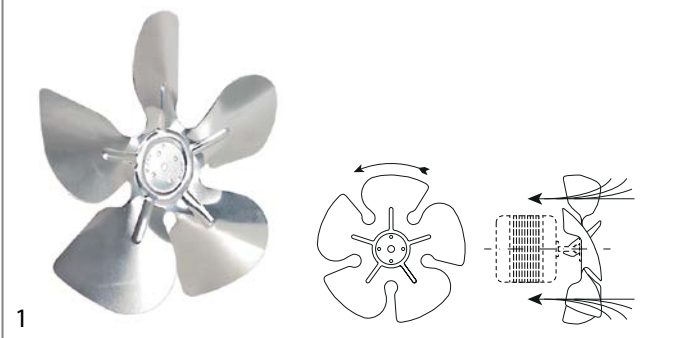


1			
No.	601023	Ref. No.	24500029100624 34500029100624 PEM624
description	fan motor 16W 230V 50-60Hz L1 45mm L2 61mm L3 92mm W 84mm cable length 500mm 1300rpm YZF16-25-18/26 5 mounting options bearing slide bearing		
For models:	CA170, CA170SL, CB170, CB170SL, CE2140, CF2140, CF2140SL, CW2140, CZ170		

accessories

fan wheels

aluminium



1			
No.	601283	Ref. No.	24500029100408 24500029100630 34500029100408 34500029100630 PFEM408 PFEM630
description	fan wheel sucking ø 230mm fan wheel mounting 25.4mm blade angle 28° W 41mm aluminium		
For models:	CA170, CA170SL, CB170, CB170SL, CE2140, CE2140SL, CF2140, CF2140SL, CW2140, CZ170		

cross flow fans

cross flow fan with heater battery

roller diameter ø60mm



1			
No.	601027	Ref. No.	24500040100160 34500040100160 PBA160
description	cross flow fan roller length 180mm roller ø 60mm motor position right 230V 50Hz 17W heat output 2000W bearing silicone cable length 200mm with temperature limiter 125°C		
For models:	GE711, GE714, GE716, GE719, MH711, MH714, MH718, MI711, MI714, MI718		

spare parts for

601027			
	No.	375095	Ref. No. —
bi-metal thermostat hole distance 18mm switch-off temp. 105°C 1NC 1-pole 16A connection F6.3 2 hole fixing			
	No.	375911	Ref. No. —
bi-metal thermostat switch-off temp. 125°C 1NC 1-pole for cross flow fan			

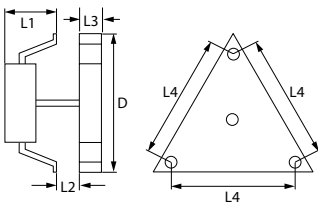


hot air fans

ebm-papst



1



No.	601249	Ref. No.	24500040100738 34500040100738 PFMH738
description	hot air fan 230V 32W 0.27A L1 60mm L2 20mm L3 20mm L4 157mm fan wheel ø 150mm ebm-papst type R2K150-AC01-15		
For models:	GE711, GE714, GE716, GE719, MH711, MH714, MH718, MI711, MI714, MI718		

fuses

line circuit breakers

ABL SURSUM



1

No.	345259	Ref. No.	24500040100196 34500040100196 PHCF196
description	line circuit breaker 1-pole 20A tripping type C rated 240/415V connection screw mounting DIN rail 1 phase		

electric accessories

cables

ribbon cables

group 1

No.	400339	Ref. No.	24500029100465 34500029100465 P-KAL-465
description	ribbon cable 16-pole L 460mm plug type 2 row Qty 1m		
For models:	CB170, CB170SL, CF2140, CF2140SL, CW2140, CZ170		

equipment-specific units

for fridges

drain systems

siphons



1

No.	515115	Ref. No.	24500023100223 34500023100223 PDSE223/1
description	drain connection ø 29mm plastic grey		



1

No.	515113	Ref. No.	24500023100244 34500023100244 PDSF244
description	funnel ø 46mm plastic grey H 39mm L 71mm		
For models:	BP7300, BS7300, BS77, CA170, CA170SL, CB170, CB170SL, CE2140, CE2140SL, CF2140, CF2140SL, CW2140, CZ170, PM99, PM999, PM9999, PN2229, PN229, PN29, PN99, PN999, PN9999, ZQ99, ZQ999		




1

No.	515111	Ref. No.	34000000000150 PRDS150
description	U-bend kit ø 18mm plastic grey		
For models:	CA170, CA170SL, CB170, CB170SL, CE2140, CF2140, CW2140, CZ170		
spare parts for	515111		
	No.	515112	Ref. No.
	U-bend tube ø 18mm plastic grey L 180mm		
	No.	515113	Ref. No.
	funnel ø 46mm plastic grey H 39mm L 71mm		
	No.	515114	Ref. No.
	U-bend tube ø 22.5mm plastic grey L 57mm		
	No.	515115	Ref. No.
	drain connection ø 29mm plastic grey		



1

No.	515112	Ref. No.	24500023100255 34500023100255 PDSP255
description	U-bend tube ø 18mm plastic grey L 180mm		
For models:	CA170, CA170SL, CB170, CB170SL, CE2140, CE2140SL, CF2140, CF2140SL, CW2140, CZ170		



1

No.	515114	Ref. No.	24500023100265 34500023100265 PDSP265
description	U-bend tube ø 22.5mm plastic grey L 57mm		
For models:	CA170, CA170SL, CB170, CB170SL, CE2140, CF2140, CW2140, CZ170		



1

No.	515109	Ref. No.	34000000000042 PRDS042
description	U-bend Slim Line ø 18mm plastic grey		
For models:	CA170SL, CB170SL, CE2140SL, CF2140SL		
spare parts for	515109		
	No.	515112	Ref. No.
	U-bend tube ø 18mm plastic grey L 180mm		
	No.	515113	Ref. No.
	funnel ø 46mm plastic grey H 39mm L 71mm		
	No.	515115	Ref. No.
	drain connection ø 29mm plastic grey		

housing and bezels

lids



1

No.	694671	Ref. No.	34500024000003 P-EPC-003
description	cover for evaporator grey L 775mm W 175mm H 435mm Qty 1 pcs		
For models:	CE2140, CE2140SL, CF2140, CF2140SL, CW2140		

holders



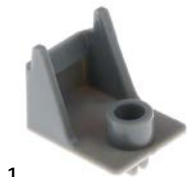
1

No.	701647	Ref. No.	34500000000005 PSELC0005
description	bracket for evaporator flap plastic		



1

No.	700930	Ref. No.	24500024000004 34500024000004 PSEL004
description	bracket for evaporator flap plastic L 33mm W 25mm H 8mm ID ø 8mm ext. ø 12 mounting pos. rear		
For models:	CA170, CA170SL, CB170, CB170SL, CE2140, CE2140SL, CF2140, CF2140SL, CW2140, CZ170		



1

No.	700929	Ref. No.	24500024000005 34500024000005 PSEL005
description	bracket for evaporator flap plastic L 35mm W 27mm H 27mm ID ø 8mm ext. ø 12.5 mounting pos. front		
For models:	CA170, CA170SL, CB170, CB170SL, CE2140, CE2140SL, CF2140, CF2140SL, CW2140, CZ170		

doors

doors



1

No.	195004	Ref. No.	34000000000032 P-PLR-032
description	door right W 710mm H 1664mm thickness 60mm		
For models:	CA170, CA170SL, CB170, CB170SL, CE2140, CE2140SL, CF2140, CF2140SL, CW2140, CZ170		

for refrigerated counters

lid hinges



1

No.	700947	Ref. No.	340000000000354 PHFB354
description	lid hinge SS for saladette		
For models:	BS77		



for bain marie

drain systems



1			
No.	694305	Ref. No.	24500028000001 34500028000001 BAPM001
description	drain fitting thread 1/2" H 14mm ID ø 15mm ED ø 32mm		
For models:	MA610, MA614, MA67, MB610, MB614, MB67, MD711, MD714, MD718, MF711, MF714, MF718, MH711, MH714, MH718, MI711, MI714, MI718		

knobs

producer-specific knobs

INOMAK



1			
No.	113037	Ref. No.	3400000900366 AISK122
description	knob AUF/ZU ø 51mm shaft ø 6.5mm grey		
For models:	BP7300, BS7300, BS77, CA170, CA170SL, CB170, CB170SL, CE2140, CE2140SL, CF2140, CF2140SL, CW2140, CZ170, PM99, PM999, PM9999, PN2229, PN229, PN29, PN99, PN999, PN9999, ZQ99, ZQ999		

handles and hand wheels

handle bars

producer-specific handle rails

INOMAK



1			
No.	694302	Ref. No.	24500015000035 34500015000035 PXPL035
description	console plastic Qty 1 pcs		
For models:	CA170, CB170, CE2140, CF2140		



1			
No.	694301	Ref. No.	34000094000003 PXMRO03
description	door handle L 560mm plastic Qty 1 pcs		
For models:	CA170, CB170, CE2140, CF2140		
spare parts for	694301		
	No.	694300	Ref. No.
	handle rod size 32x17mm L 485mm aluminium Qty 1 pcs		



1			
No.	694300	Ref. No.	34000090000013 PALL013
description	handle rod size 32x17mm L 485mm aluminium Qty 1 pcs		
For models:	CA170, CB170, CE2140, CF2140		

locks

locking devices

producer-specific


INOMAK



1			
No.	692133	Ref. No.	24500015000479 34500015000479 PKPR479
description	key cylinder ø 19mm		
For models:	CA170, CB170, CE2140, CF2140		



1			
No.	692134	Ref. No.	24500015100590 34500015100590 PKPR590
description	key cylinder ø 19mm		
For models:	CA170, CB170, CE2140, CF2140		

			
1			
No.	692135	Ref. No.	24500015000393 34500015000393 PKPR393
description	key cylinder ø 27mm		
For models:	CA170, CA170SL, CB170, CB170SL, CE2140, CE2140SL, CF2140, CF2140SL, CW2140, CZ170		


hinges

spring assisted hinges

producer-specific


INOMAK


			
1			
No.	700959	Ref. No.	34000000000101 PAMR101
description	hinge new edition L 190mm W 30mm H 116mm shaft length 11mm mounting distance 76mm mounting pos. upper		
For models:	CA170, CA170SL, CB170, CB170SL, CE2140, CE2140SL, CF2140, CF2140SL, CW2140, CZ170		


			
1			
No.	700958	Ref. No.	34000000900360 PAMR360
description	hinge old edition L 195mm W 30mm H 116mm shaft length 11mm mounting distance 76mm mounting pos. upper		
For models:	CA170, CB170, CE2140, CF2140		


door bearing


			
1			
No.	700933	Ref. No.	24500023000572 34500023000572 P-KPC-572
description	bush H 18mm mounting pos. lower ø 18mm ID ø 8mm grey mounting measurements 22x22mm for hinge external size 25x25mm		
For models:	CA170, CA170SL, CB170, CB170SL, CE2140, CE2140SL, CF2140, CF2140SL, CW2140, CZ170		

			
1			
No.	700928	Ref. No.	24500023000226 34500023000226 PPLAC226
description	bush L 15mm mounting pos. upper ø 12mm ID ø 6.5mm for hinge external size 16mm		
For models:	BP7300, BS7300, BS77, PM99, PM999, PM9999, PN2229, PN229, PN29, PN99, PN999, PN9999, ZQ99, ZQ999		


			
1			
No.	700932	Ref. No.	24500015000579 34500015000579 PKOC579
description	hinge		


			
1			
No.	700955	Ref. No.	34000000000103 PAMC103
description	hinge L 101mm W 40mm H 2mm mounting pos. upper left new edition		
For models:	BP7300, BS7300, BS77, PM99, PM999, PM9999, PN2229, PN229, PN29, PN99, PN999, PN9999, ZQ99, ZQ999		


			
1			
No.	700952	Ref. No.	34000000090036 PAMC036
description	hinge L 101mm W 40mm H 2mm mounting pos. upper left old edition		


			
1			
No.	700954	Ref. No.	34000000000104 PAMC104
description	hinge L 101mm W 40mm H 2mm mounting pos. upper right new edition		
For models:	BP7300, BS7300, BS77, PM99, PM999, PM9999, PN2229, PN229, PN29, PN99, PN999, PN9999, ZQ99, ZQ999		





 <p>1</p>			
No.	700953	Ref. No.	34000000900364 PAMC364
description	hinge L 101mm W 40mm H 2mm mounting pos. upper right old edition		
For models:			


 <p>1</p>			
No.	700948	Ref. No.	34000000900361 PKMC361
description	hinge L 132mm W 38mm H 6mm mounting pos. bottom left old edition		
For models:	BP7300, BS7300, BS77, PM99, PM999, PM9999, PN2229, PN229, PN29, PN99, PN999, PN9999, ZQ99, ZQ999		


 <p>1</p>			
No.	700949	Ref. No.	34000000900363 PKMC363
description	hinge L 132mm W 38mm H 6mm mounting pos. bottom right old edition		
For models:	BP7300, BS7300, BS77, PM99, PM999, PM9999, PN2229, PN229, PN29, PN99, PN999, PN9999, ZQ99, ZQ999		

 <p>1</p>			
No.	700951	Ref. No.	34000000000105 PKMC105
description	hinge L 140mm W 40mm H 19mm mounting pos. bottom left new edition		
For models:	BP7300, BS7300, BS77, PM99, PM999, PM9999, PN2229, PN229, PN29, PN99, PN999, PN9999, ZQ99, ZQ999		

 <p>1</p>			
No.	700950	Ref. No.	34000000000106 PKMC106
description	hinge L 140mm W 40mm H 19mm mounting pos. bottom right new edition		
For models:	BP7300, BS7300, BS77, PM99, PM999, PM9999, PN2229, PN229, PN29, PN99, PN999, PN9999, ZQ99, ZQ999		

 <p>1</p>			
No.	700957	Ref. No.	34000000000102 PKMR102
description	hinge L 190mm W 32mm H 13.5mm mounting distance 76mm mounting pos. lower new edition shaft ø 8mm		
For models:	CA170, CA170SL, CB170, CB170SL, CE2140, CE2140SL, CF2140, CF2140SL, CW2140, CZ170		

 <p>1</p>			
No.	700956	Ref. No.	34000000094036 PKMR036
description	hinge L 195mm W 30mm H 5mm mounting distance 76mm mounting pos. lower old edition shaft ø 8mm		
For models:	CA170, CB170, CE2140, CF2140		

 <p>1</p>			
No.	700927	Ref. No.	24500015000360 34500015000360 PMMR360
description	hinge bearing L 79mm W 54mm H 53mm mounting pos. centre		

pullouts


rollers

rollers

 <p>1</p>			
No.	692665	Ref. No.	34000000000051
description	roller rollerø 25mm B1 6mm overall width 10mm A 25mm B 6mm C 10mm ø 9mm plastic Qty 1 pcs suitable for model DR/51		

roller with holder

 <p>1</p>			
No.	692137	Ref. No.	34000000900155 PGPE155
description	roller rollerø 16mm B1 7mm with holder ZCS/ceramic mounting pos. inner bearing slide bearing Qty 1 pcs L 83mm tread plastic mounting distance 75mm		

			
1			
No.	692136	Ref. No.	34000000900154 PGPE154
description	roller rollerø 16mm B1 7mm with holder ZCS/ceramic mounting pos. outer bearing slide bearing Qty 1 pcs H 6mm L 83mm mounting distance 75mm		

			
1			
No.	692138	Ref. No.	34000000900156 PGPE156
description	roller rollerø 25mm B1 6mm with holder SS/plastic mounting pos. upper bearing slide bearing Qty 1 pcs H 13mm L 56mm mounting distance 40mm		


equipment feet and end caps


equipment feet

with fixing plate


			
1			
No.	700709	Ref. No.	24500026000001 24500026000002 34500026000001 34500026000002 PPR001
description	equipment foot tube ø 64mm plate size 80x100mm hole distance 60x80mm H 115-170mm SS size 2 2/3" Qty 1 pcs		
For models:	CA170, CA170SL, CB170, CB170SL, CE2140, CE2140SL, CF2140, CF2140SL, CW2140, CZ170, GE711, GE714, GE716, GE719, MD711, MD714, MD718, MF711, MF714, MF718, MH711, MH714, MH718, MI711, MI714, MI718, PM99, PM999, PM9999, PN2229, PN229, PN29, PN99, PN999, PN9999, ZQ99, ZQ999		

screw-in feet

			
1			
No.	701005	Ref. No.	24500026000003 34500026000003 PPT003
description	equipment foot thread M10 thread L 18mm ø 32.5mm H 75mm Qty 1 pcs		

			
1			
No.	701006	Ref. No.	24500026000004 34500026000004 PPS105
description	equipment foot thread M10 thread L 27mm ø 29mm H 41mm plastic WS 30 Qty 1 pcs		
For models:	BP7300, BS7300, BS77		


bolting feet


			
1			
No.	697835	Ref. No.	24500054100082 34500054100082 PPMP082
description	equipment foot ø 21mm H 12mm bore ø 4mm Qty 1 pcs		
For models:	MA610, MA614, MA67, MB610, MB614, MB67		

miscellaneous

with fixing plate

ø100mm

			
1			
No.	700960	Ref. No.	24500020000609 34500020000609 PRRW609
description	swivel castor ø 100mm plate fixing housing chrome-plated steel plate size 105x85mm hole distance 79mm capacity 80kg bearing slide bearing wheel body PVC tread PVC H 125mm wheel width 32mm Qty 1 pcs		
For models:	CA170, CA170SL, CB170, CB170SL, CE2140, CE2140SL, CF2140, CF2140SL, CW2140, CZ170, PM99, PM999, PM9999, PN2229, PN229, PN29, PN99, PN999, PN9999, ZQ99, ZQ999		

			
1			
No.	700961 ¹	Ref. No.	24500020000608 34500020000608 PRRB608
description	swivel castor with brake ø 100mm plates fixing 105x85mm hole distance 79mm bearing ball bearing H 125mm wheel width 32mm		
For models:	CA170, CA170SL, CB170, CB170SL, CE2140, CE2140SL, CF2140, CF2140SL, CW2140, CZ170, PM99, PM999, PM9999, PN2229, PN229, PN29, PN99, PN999, PN9999, ZQ99, ZQ999		

¹with swivel brake



shelves and shelf rails

grates

universal

without upstand



1			
No.	970711	Ref. No.	24500044100523 34500044100523 SP9116
description	grate W 325mm D 445mm H 11mm plastic-coated steel wire gauge frame 9mm lengthwise wires gauge 4mm crossing wires 1 white		



1			
No.	970712	Ref. No.	24500044100524 34500044100524 SP9117
description	grate W 325mm D 530mm GN 1/1 H 11mm plastic-coated steel wire gauge frame 9mm lengthwise wires gauge 4mm crossing wires 1 grey		



1			
No.	970708	Ref. No.	24500044100190 34500044100190 SU7120/SL
description	grate W 534mm D 550mm H 11.5mm plastic-coated steel wire gauge frame 9mm lengthwise wires gauge 4mm crossing wires 2 white		



1			
No.	970710	Ref. No.	24500044100180 34500044100180 SU2170
description	grate W 650mm D 530mm GN 2/1 H 11mm plastic-coated steel wire gauge frame 9mm lengthwise wires gauge 4mm crossing wires 2 white		

shelf rails and supports

producer-specific



1			
No.	700936	Ref. No.	34000000992715 POZS715
description	guide L 550mm W 14mm H 50mm mounting pos. left for drawer		
For models:	PN2229, PN229, PN29		



1			
No.	700935	Ref. No.	34000000992714 POZS714
description	guide L 550mm W 14mm H 50mm mounting pos. right for drawer		
For models:	PN2229, PN229, PN29		



1			
No.	700938	Ref. No.	34000000990075 PPXM075
description	guide U-shape L 323mm W 12mm mounting pos. right/left inner height 19mm		
For models:	MA610, MA614, MA67, MB610, MB614, MB67		

1

No.	700937	Ref. No.	34000000090074 PPXM074
description	guide U-shape L 508mm W 12mm mounting pos. right/left inner height 19mm		
For models:	MA610, MA614, MA67, MB610, MB614, MB67, MD711, MD714, MD718, MF711, MF714, MF718, MH711, MH714, MH718, MI711, MI714, MI718		

2

No.	700946	Ref. No.	34000000090392 OS116
description	pair of setting bar L-shape L 455mm W 11mm H 27mm		

1

No.	700944	Ref. No.	34000000000160 OS21/SL
description	pair of setting bar L-shape L 545mm W 18mm H 26mm		

1

No.	700943	Ref. No.	34000550000000 OS117
description	pair of setting bar L-shape L 555mm W 12mm H 26mm mounting pos. left/right		

1

No.	700941	Ref. No.	34000000000121 OS21
description	pair of setting bar L-shape L 645mm W 19mm H 26mm mounting pos. left/right		

1

No.	700945	Ref. No.	34000000903855 OS21/P
description	pair of setting bar L-shape L 660mm W 18mm H 27mm mounting pos. left/right		

1

No.	700940	Ref. No.	34000700000000 OS21/O
description	pair of setting bar L-shape L 702mm W 19mm H 26mm		


1


No.	700942	Ref. No.	34000550000001 OS117/C
description	pair of setting bar old edition L 555mm W 12mm H 26mm		

1

No.	700939	Ref. No.	34000700000001 OS21/C
description	pair of setting bar U-shape L 697mm W 19mm old edition inner height 15.5mm		



			
1			
No.	700934	Ref. No.	24500014000641 34500014000641 PPSO641
description	pin for setting bar L 27mm W 13mm bore ø 4.5mm		
For models:	CA170, CA170SL, CB170, CB170SL, CE2140, CE2140SL, CF2140, CF2140SL, CW2140, CZ170		

			
2			
No.	700931	Ref. No.	24500021000553 34500021000553 PPPS553
description	shelf support L 20.6mm ø 10mm		

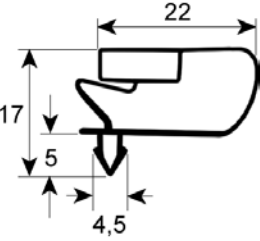
gaskets

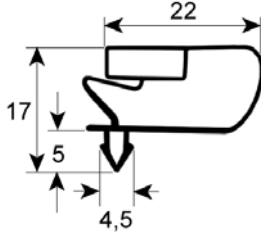
refrigeration gaskets

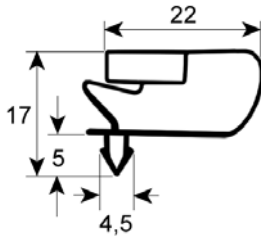
plug-in gaskets

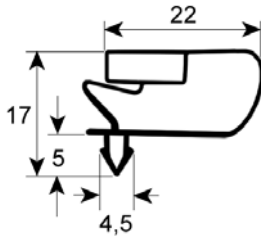
profile 9796

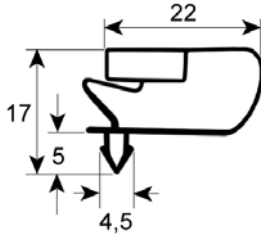
We offer custom-made gaskets for this profile

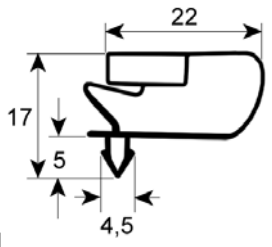
			
1			
No.	900894	Ref. No.	24500057100085 24500057100089 34500057100085 34500057100089 34500057100085 PLSC085 PLSC089
description	refrigeration gasket profile 9796 W 305mm L 405mm plug size		
For models:	PN2229, PN229, PN29		

			
1			
No.	900895	Ref. No.	24500057100433 24500057100577 34500057100433 34500057100577 PLLC433 PLLC577
description	refrigeration gasket profile 9796 W 405mm L 480mm plug size		
For models:	BP7300, BS7300, BS77		

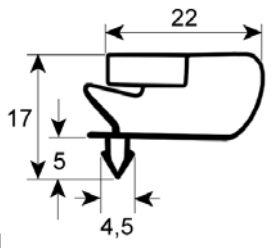
			
1			
No.	900896	Ref. No.	24500057100087 24500057100504 34500057100087 34500057100504 PLMC087 PLMC504
description	refrigeration gasket profile 9796 W 405mm L 650mm plug size		
For models:	PM99, PM999, PM9999, PN2229, PN229, PN29, PN99, PN999, PN9999, ZQ99, ZQ999		

			
1			
No.	900897	Ref. No.	24500057100088 34500057100088 PLLC088
description	refrigeration gasket profile 9796 W 515mm L 650mm plug size		

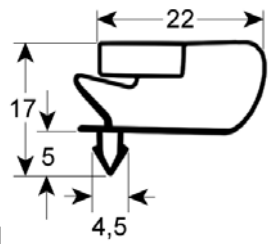
			
1			
No.	900900	Ref. No.	24500057100086 34500057100086 PLLR086
description	refrigeration gasket profile 9796 W 650mm L 1595mm plug size		
For models:	CA170, CB170, CE2140, CF2140		



No.	900899	Ref. No.	24500057100091 24500057100236 34500057100091 34500057100236 PLMR091 PLMR236
description	refrigeration gasket profile 9796 W 660mm L 785mm plug size		



No.	900898	Ref. No.	24500057100084 24500057100090 34500057100084 34500057100090 PLLR084 PLLR090
description	refrigeration gasket profile 9796 W 670mm L 1620mm plug size		
For models:	CA170, CA170SL, CB170, CB170SL, CE2140, CE2140SL, CF2140, CF2140SL, CW2140, CZ170		



No.	902309	Ref. No.	N/A
description	refrigeration gasket profile 9796 Wmm L 2500mm		

refrigeration cycle components


filter driers

CARLY



No.	750288	Ref. No.	24500029100680 PFLK680
description	dryer type DCY052S ø 52mm L 112.5mm connection 1: 1/4"mm connection 2: 1/4"mm		
For models:	CB170, CB170SL, CF2140, CF2140SL		

DENA




No.	692507	Ref. No.	34500029100680
description	dryer type MG112-05 2S connection 1/4" 80cm³ ø 57mm		

miscellaneous



No.	750254	Ref. No.	24500029100476 34500029100476 PFLP476
description	dryer size 20g ø 19mm L 138mm connection 2,5/6,2mm		
For models:	WV179, WV224		



1 


No.	750291	Ref. No.	24500029100419 34500029100419 PFLR419
description	dryer size 50g ø 24mm L 373mm connection 2.4/4.8mm connection 3: 6.4		
For models:	BP7300, BS7300, BS77, CA170, CA170SL, CE2140, CE2140SL, CW2140, CZ170, PM99, PM999, PM9999, PN2229, PN229, PN29, PN99, PN999, PN9999, ZQ99, ZQ999		

evaporators for fridges

producer-specific

1 

No.	750309	Ref. No.	34500035000006 PEVR006
description	evaporator 743W VT -8°C heat output 563W L 738mm W 140mm H 430mm complete with fan		
For models:	CE2140, CE2140SL, CW2140		

1 


No.	750710	Ref. No.	34500035000373 P-COIL-371
description	evaporator for model CB,CB/SL,CZ L 410mm W 160mm H 167mm total length 440mm overall width 330mm overall height 210mm connection soldering connectionmm		
For models:	CA170, CA170SL		


1 

No.	750290	Ref. No.	34000094000016 PCOIL016
description	evaporator L 340mm W 95mm H 325mm		

1 

No.	750289	Ref. No.	34000094000020 PCOIL020
description	evaporator L 375mm W 95mm H 250mm		

1 

No.	750307	Ref. No.	34000094001016 34000094223016 PEVC016 P-EVC-223
description	evaporator L 385mm W 100mm H 390mm 224W with drain pan		
For models:	PM99, PM999, PM9999, PN2229, PN229, PN29, PN99, PN999, PN9999		
spare parts for	750307		
	No.	750711	Ref. No.
drip tray for evaporator L 415mm W 110mm H 40mm			

1 

No.	750432	Ref. No.	34009400100016 P-EVC-116
description	evaporator L 390mm W 100mm H 390mm		
For models:	ZQ99, ZQ999		



1

No.	750395	Ref. No.	34000094000017 P-COIL-017
description	evaporator L 440mm W 115mm H 160mm overall width 190mm overall height 350mm		



1


No.	750397	Ref. No.	34000094000018 P-COIL-018
description	evaporator L 720mm W 115mm H 160mm overall width 220mm overall height 340mm		

for saladettes



1

No.	750308	Ref. No.	34500035000005 PEVR005
description	evaporator L 560mm W 123mm H 430mm suitable for INOMAK / up to SNR. 1294792 complete with fan		
For models:	CA170, CA170SL		



1


No.	750433	Ref. No.	34000940010016 P-EVC-105
description	evaporator L 390mm W 100mm H 330mm		
For models:	BP7300, BS7300, BS77		



1

No.	750411	Ref. No.	P-EVF-347
description	evaporator L 560mm W 430mm H 140mm complete with fan		
For models:	CB170, CB170SL, CZ170		

accessories



1

No.	750396	Ref. No.	345000350000377 P-COIL-377
description	evaporator L 715mm W 115mm H 160mm overall width 185mm overall height 330mm		
For models:	CF2140, CF2140SL, CW2140		




1

No.	750709	Ref. No.	34500024000002 P-EPC-002
description	cover for evaporator CA,CB,CZ,CA/SL,CB/SL L 475mm W 435mm H 185mm		
For models:	CA170, CA170SL, CB170, CB170SL, CZ170		



evaporation and condensing trays

evaporation trays


			
1			
No.	750711	Ref. No.	34500024000123 P-KED-123
description	drip tray for evaporator L 415mm W 110mm H 40mm		

valves and tank inlets


ball valves

universal


mini ball valves

			
1			
No.	520486	Ref. No.	24500033000003 34500033000003 PBEM003
description	ball valve angled connection 1/2" ET - 1/2" ET DN15 total length 79x54mm		
For models:	MA610, MA614, MA67, MB610, MB614, MB67		

ball valves with lever handle

			
1			
No.	520280	Ref. No.	24500028100303 34500028100303 PBEM303
description	ball valve connection 1/2" IT - 1/2" IT DN15 total length 50mm with lever handle handle length 85mm		
For models:	MD711, MD714, MD718, MF711, MF714, MF718, MH711, MH714, MH718, MI711, MI714, MI718		

tank inlets


			
1			
No.	694303	Ref. No.	24500028000000 34500028000000 PBEM000
description	tank inlet connection 1/2" WS 19 L1 9mm L2 21mm ø 25mm		
For models:	MA610, MA614, MA67, MB610, MB614, MB67		

drain systems and wash basins




U-bends

			
1			
No.	515115	Ref. No.	24500023100223 34500023100223 PDSE223/1
description	drain connection ø 29mm plastic grey		

			
1			
No.	515113	Ref. No.	24500023100244 34500023100244 PDSF244
description	funnel ø 46mm plastic grey H 39mm L 71mm		
For models:	BP7300, BS7300, BS77, CA170, CA170SL, CB170, CB170SL, CE2140, CE2140SL, CF2140, CF2140SL, CW2140, CZ170, PM99, PM999, PM9999, PN2229, PN229, PN29, PN99, PN999, PN9999, ZQ99, ZQ999		

			
1			
No.	515111	Ref. No.	34000000000150 PRDS150
description	U-bend kit ø 18mm plastic grey		
For models:	CA170, CA170SL, CB170, CB170SL, CE2140, CF2140, CW2140, CZ170		
spare parts for	515111		
	No.	515112	Ref. No.
	 U-bend tube ø 18mm plastic grey L 180mm		






spare parts for 515111			
	No.	515113	Ref. No.
funnel ø 46mm plastic grey H 39mm L 71mm			
	No.	515114	Ref. No.
U-bend tube ø 22.5mm plastic grey L 57mm			
	No.	515115	Ref. No.
drain connection ø 29mm plastic grey			



No.	515109	Ref. No.	34000000000042 PRDS042
------------	--------	-----------------	---------------------------

description	U-bend Slim Line ø 18mm plastic grey		
For models:	CA170SL, CB170SL, CE2140SL, CF2140SL		

spare parts for 515109			
	No.	515112	Ref. No.
U-bend tube ø 18mm plastic grey L 180mm			
	No.	515113	Ref. No.
funnel ø 46mm plastic grey H 39mm L 71mm			
	No.	515115	Ref. No.
drain connection ø 29mm plastic grey			



No.	515112	Ref. No.	24500023100255 34500023100255 PDSP255
------------	--------	-----------------	---


description	U-bend tube ø 18mm plastic grey L 180mm		
For models:	CA170, CA170SL, CB170, CB170SL, CE2140, CE2140SL, CF2140, CF2140SL, CW2140, CZ170		

			
1			
No.	515114	Ref. No.	24500023100265 34500023100265 PDSP265
description	U-bend tube ø 22.5mm plastic grey L 57mm		
For models:	CA170, CA170SL, CB170, CB170SL, CE2140, CF2140, CW2140, CZ170		

fastening material

fasteners

retainer clips

			
1			
No.	694304	Ref. No.	24500053100226 34500053100226 PSPIN226
description	retainer clip L 16.5mm wire gauge ø 1mm SS Qty 2 pcs		
For models:	CB170, CB170SL, CF2140, CF2140SL, CW2140, CZ170		