

# Professionall

Solutii profesionale pentru echipamente profesionale



**GAS COMPONENTS**



**ELECTRIC COMPONENTS**



**WATER TECHNOLOGY**



**MECHANICAL COMPONENTS**



**TOOLS**








Spare parts suitable for

# HAKA

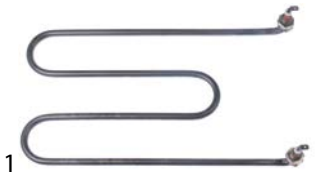







## heating elements

### heating elements for bain maries







			
<b>No.</b>	415428	<b>Ref. No.</b>	9007
<b>description</b>	heating element 1500W 230V L 292mm W 50mm connection male faston 6.3mm tube ø 8.5mm 2 hole fixing thread M14x1 immersion heater H 20mm mounting distance 37mm		
<b>spare parts for</b>	415428		
	<b>No.</b>	507313	<b>Ref. No.</b> —
	O-ring EPDM thickness 2.62mm ID ø 13.95mm Qty 1 pcs		
<b>accessories for</b>	415428		
	<b>No.</b>	102382	<b>Ref. No.</b> —
	nut thread M14x1 H 3.5mm WS 18 brass Qty 1 pcs		
	<b>No.</b>	510417	<b>Ref. No.</b> —
	flat gasket fibre ED ø 20mm ID ø 14mm thickness 2mm Qty 1 pcs		
	<b>No.</b>	520228	<b>Ref. No.</b> —
	tooth lock washer ID ø 15.3mm ED ø 24mm steel Qty 1 pcs for thread M14		
	<b>No.</b>	550261	<b>Ref. No.</b> —
	nut thread M14x1 H 4mm WS 19 SS Qty 1 pcs		
	<b>No.</b>	550262	<b>Ref. No.</b> —
	flat gasket copper ED ø 20mm ID ø 14mm thickness 2mm		

### heating elements for chip scuttles

			
<b>No.</b>	418252	<b>Ref. No.</b>	9008
<b>description</b>	heating element 1000W 230V L 330mm W 177mm connection length 19mm connection male faston 6.3mm tube ø 8.8mm 2 hole fixing thread M14x1.5 immersion heater chip scuttle H 25mm mounting distance 168mm		
<b>accessories for</b>	418252		
	<b>No.</b>	510417	<b>Ref. No.</b> —
	flat gasket fibre ED ø 20mm ID ø 14mm thickness 2mm Qty 1 pcs		
	<b>No.</b>	520228	<b>Ref. No.</b> —
	tooth lock washer ID ø 15.3mm ED ø 24mm steel Qty 1 pcs for thread M14		
	<b>No.</b>	520230	<b>Ref. No.</b> —
	nut thread M14x1.5 H 5mm WS 19 zinc-coated steel Qty 1 pcs		
	<b>No.</b>	521101	<b>Ref. No.</b> —
	nut thread M14x1.5 H 5mm WS 19 SS Qty 1 pcs		
	<b>No.</b>	550262	<b>Ref. No.</b> —
	flat gasket copper ED ø 20mm ID ø 14mm thickness 2mm		

## heating elements for fryers

### 2 hole fixing

			
<b>No.</b>	418251	<b>Ref. No.</b>	9036
<b>description</b>	heating element 3500W 400V heating circuits 1 L 192mm W 74mm H 213mm H1 175mm H2 38mm thread M14x1.5 tube ø 8.5mm mounting distance 60mm windings 6 2 hole fixing connection male faston 6.3mm connection length 28mm fryer		
<b>accessories for</b>	418251		
	<b>No.</b>	510417	<b>Ref. No.</b> —
	flat gasket fibre ED ø 20mm ID ø 14mm thickness 2mm Qty 1 pcs		
	<b>No.</b>	520228	<b>Ref. No.</b> —
	tooth lock washer ID ø 15.3mm ED ø 24mm steel Qty 1 pcs for thread M14		
	<b>No.</b>	520230	<b>Ref. No.</b> —
	nut thread M14x1.5 H 5mm WS 19 zinc-coated steel Qty 1 pcs		
	<b>No.</b>	521101	<b>Ref. No.</b> —
	nut thread M14x1.5 H 5mm WS 19 SS Qty 1 pcs		
	<b>No.</b>	550262	<b>Ref. No.</b> —
	flat gasket copper ED ø 20mm ID ø 14mm thickness 2mm		






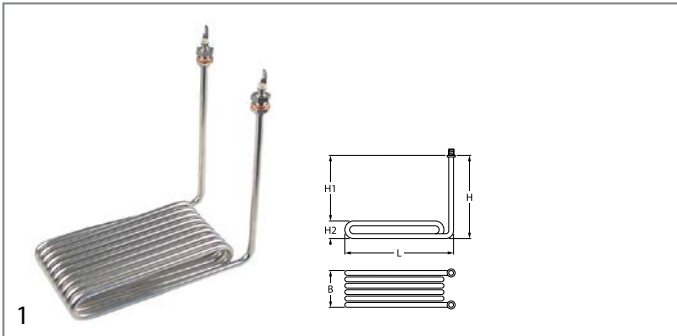
			
<b>No.</b>	415631	<b>Ref. No.</b>	9048
<b>description</b>	heating element 4000W 400V heating circuits 1 L 300mm W 68mm H 178mm H1 133mm H2 45mm thread 1/4" tube ø 8.5mm mounting distance 60mm windings 6 2 hole fixing connection male faston 6.3mm connection length 22mm immersion heater		
<b>accessories for</b>	415631		
	<b>No.</b>	361182	<b>Ref. No.</b> —
	nut thread 1/4" H 5mm nickel-plated brass WS 17 Qty 1 pcs		
	<b>No.</b>	510417	<b>Ref. No.</b> —
	flat gasket fibre ED ø 20mm ID ø 14mm thickness 2mm Qty 1 pcs		
	<b>No.</b>	520228	<b>Ref. No.</b> —
	tooth lock washer ID ø 15.3mm ED ø 24mm steel Qty 1 pcs for thread M14		

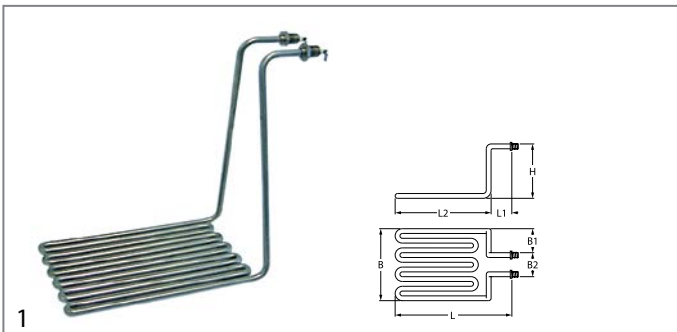
Table continues overleaf








<b>accessories for</b> 415631			
	No.	550262	Ref. No.
			—
flat gasket copper ED ø 20mm ID ø 14mm thickness 2mm			

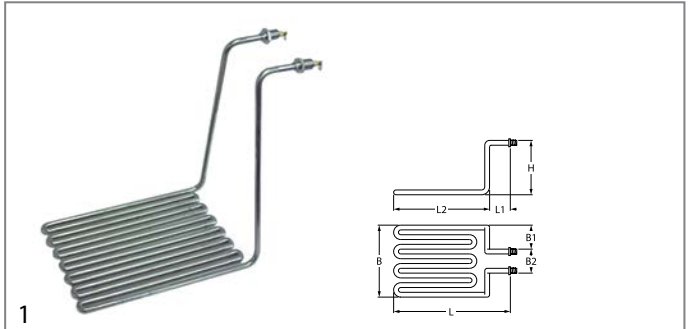


<b>No.</b>	415632	<b>Ref. No.</b>	9049
<b>description</b>	heating element 6000W 400V heating circuits 1 L 242mm W 122mm H 218mm H1 178mm H2 40mm thread M14x1.5 tube ø 8.5mm windings 10 2 hole fixing connection male faston 6.3mm		








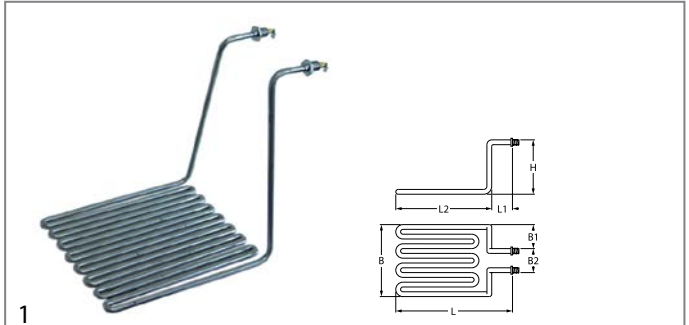
<b>No.</b>	415628	<b>Ref. No.</b>	9002
<b>description</b>	heating element 3000W 230V heating circuits 1 L 308mm W 174mm H 254mm 2 hole fixing connection male faston 6.3mm fryer L1 46mm L2 253mm W1 50mm W2 74mm tube ø 8.5mm thread M14x1.5 windings 6 mounting distance 70mm		

<b>accessories for</b> 415628			
	No.	510417	Ref. No.
			—
flat gasket fibre ED ø 20mm ID ø 14mm thickness 2mm Qty 1 pcs			
	No.	520228	Ref. No.
			—
tooth lock washer ID ø 15.3mm ED ø 24mm steel Qty 1 pcs for thread M14			
	No.	520230	Ref. No.
			—
nut thread M14x1.5 H 5mm WS 19 zinc-coated steel Qty 1 pcs			
	No.	521101	Ref. No.
			—
nut thread M14x1.5 H 5mm WS 19 SS Qty 1 pcs			
	No.	550262	Ref. No.
			—
flat gasket copper ED ø 20mm ID ø 14mm thickness 2mm			







<b>No.</b>	415629	<b>Ref. No.</b>	9003
<b>description</b>	heating element 4500W 400V heating circuits 1 L 310mm W 186mm H 260mm 2 hole fixing connection male faston 6.3mm fryer L1 62mm L2 248mm W1 48mm W2 90mm tube ø 8.5mm thread M14x1.5 windings 7 mounting distance 82mm		


<b>accessories for</b> 415629			
	No.	510417	Ref. No.
			—
flat gasket fibre ED ø 20mm ID ø 14mm thickness 2mm Qty 1 pcs			
	No.	520228	Ref. No.
			—
tooth lock washer ID ø 15.3mm ED ø 24mm steel Qty 1 pcs for thread M14			
	No.	520230	Ref. No.
			—
nut thread M14x1.5 H 5mm WS 19 zinc-coated steel Qty 1 pcs			
	No.	521101	Ref. No.
			—
nut thread M14x1.5 H 5mm WS 19 SS Qty 1 pcs			
	No.	550262	Ref. No.
			—
flat gasket copper ED ø 20mm ID ø 14mm thickness 2mm			

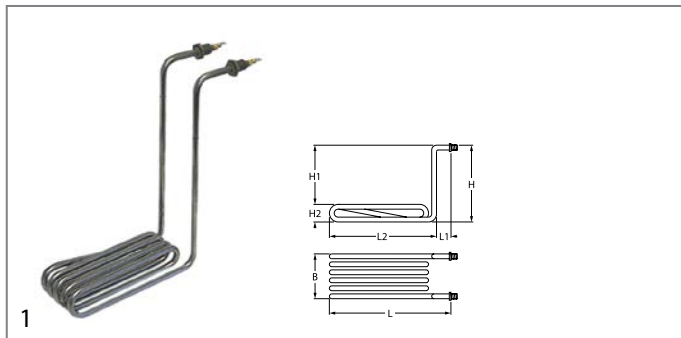


<b>No.</b>	415630	<b>Ref. No.</b>	9004
<b>description</b>	heating element 6000W 400V heating circuits 1 L 296mm W 250mm H 255mm 2 hole fixing connection male faston 6.3mm fryer L1 46mm L2 250mm W1 33mm W2 185mm tube ø 8.5mm thread M14x1.5 windings 8 mounting distance 175mm connection length 10mm		






<b>spare parts for</b> 415630			
	No.	550262	Ref. No.
			—
flat gasket copper ED ø 20mm ID ø 14mm thickness 2mm			
<b>accessories for</b> 415630			
	No.	510417	Ref. No.
			—
flat gasket fibre ED ø 20mm ID ø 14mm thickness 2mm Qty 1 pcs			
	No.	520228	Ref. No.
			—
tooth lock washer ID ø 15.3mm ED ø 24mm steel Qty 1 pcs for thread M14			
	No.	520230	Ref. No.
			—
nut thread M14x1.5 H 5mm WS 19 zinc-coated steel Qty 1 pcs			

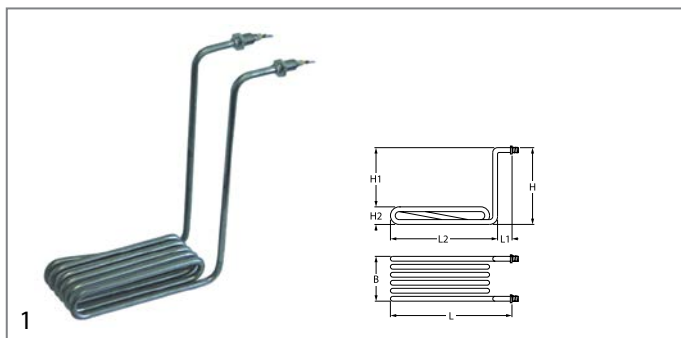


<b>accessories for</b>	415630			
	No.	521101	Ref. No.	—
	nut thread M14x1.5 H 5mm WS 19 SS Qty 1 pcs			








<b>No.</b>	415626	<b>Ref. No.</b>	9000
<b>description</b>	heating element 2500W 400V heating circuits 1 L 242mm W 70mm H 257mm L1 50mm L2 192mm H1 220mm H2 37mm thread M14x1.5 tube ø 8.5mm 2 hole fixing connection male faston 6.3mm fryer windings 5		

<b>accessories for</b>	415626			
	No.	510417	Ref. No.	—
	flat gasket fibre ED ø 20mm ID ø 14mm thickness 2mm Qty 1 pcs			
	No.	520228	Ref. No.	—
	tooth lock washer ID ø 15.3mm ED ø 24mm steel Qty 1 pcs for thread M14			
	No.	520230	Ref. No.	—
	nut thread M14x1.5 H 5mm WS 19 zinc-coated steel Qty 1 pcs			
	No.	521101	Ref. No.	—
	nut thread M14x1.5 H 5mm WS 19 SS Qty 1 pcs			
	No.	550262	Ref. No.	—
	flat gasket copper ED ø 20mm ID ø 14mm thickness 2mm			



<b>No.</b>	415627	<b>Ref. No.</b>	9001
<b>description</b>	heating element 3500W 400V heating circuits 1 L 230mm W 74mm H 258mm L1 48mm L2 182mm H1 221mm H2 37mm thread M14x1.5 tube ø 8.5mm 2 hole fixing connection male faston 6.3mm fryer heaters windings 6		

<b>accessories for</b>	415627			
	No.	510417	Ref. No.	—
	flat gasket fibre ED ø 20mm ID ø 14mm thickness 2mm Qty 1 pcs			
	No.	520228	Ref. No.	—
	tooth lock washer ID ø 15.3mm ED ø 24mm steel Qty 1 pcs for thread M14			
	No.	520230	Ref. No.	—
	nut thread M14x1.5 H 5mm WS 19 zinc-coated steel Qty 1 pcs			

<b>accessories for</b>	415627			
	No.	521101	Ref. No.	—
	nut thread M14x1.5 H 5mm WS 19 SS Qty 1 pcs			
	No.	550262	Ref. No.	—
	flat gasket copper ED ø 20mm ID ø 14mm thickness 2mm			

**heating elements for griddles**



<b>No.</b>	415749	<b>Ref. No.</b>	9011
<b>description</b>	heating element 1500W 230V heating circuits 1 L 735mm W 55mm Hmm tube ø 6.5mm connection M4 connection length 24mm grill dry heating element		

**heating elements for chargrills**



<b>No.</b>	415633	<b>Ref. No.</b>	9005 9005A
<b>description</b>	heating element 1500W 230V heating circuits 1 L 452mm W 73mm H 35mm windings 2 connection M4 hole distance 65mm hole ø 4mm dry heating element bracket mounting tube ø 8.5mm		



<b>No.</b>	415644	<b>Ref. No.</b>	9013
<b>description</b>	heating element 400W 230V heating circuits 1 L 460mm dry heating element connection male faston 6.3mm connection length 23mm tube ø 8.5mm		



<b>No.</b>	418253	<b>Ref. No.</b>	9025 9025 Klappbar
<b>description</b>	heating element 1260W 400V heating circuits 1 L 460mm W 83mm rectangular flange hole distance 57mm hole ø 6.5mm W1 20mm W2 43mm connection M4 cable length 2000mm flange length 70mm flange width 28mm tube ø 13x5mm dry heating element connection length 30mm		



<b>No.</b>	418620	<b>Ref. No.</b>	9025 Feststehend
<b>description</b>	heating element 1260W 400V stationary		



## heating elements for salamanders/toast-



1



<b>No.</b>	415645	<b>Ref. No.</b>	9019
<b>description</b>	heating element 2250W 230V L 330mm W 215mm tube $\phi$ 6.5mm bracket mounting connection clamp mounting thread M5 hole distance 185mm heating circuits 1 lug length 30mm lug width 20mm dry heating element H 6.5mm		

## ceramic heaters

245x60mm





1

<b>No.</b>	415104	<b>Ref. No.</b>	9184
<b>description</b>	ceramic emitter 1000W 230V cable beaded cord L 245mm W 60mm H 35mm		
<b>spare parts for</b>	415104		
	<b>No.</b>	415109	<b>Ref. No.</b>
			—
<b>accessories for</b>	415104		
	<b>No.</b>	415110	<b>Ref. No.</b>
			—
<b>description</b>	reflector L 245mm W 95mm H 31mm thickness 0.75mm hole $\phi$ 15x40mm		



1

<b>No.</b>	415103	<b>Ref. No.</b>	9187
<b>description</b>	ceramic emitter 650W 230V cable beaded cord L 245mm W 60mm H 35mm		
<b>spare parts for</b>	415103		
	<b>No.</b>	415109	<b>Ref. No.</b>
			—
<b>accessories for</b>	415103		
	<b>No.</b>	415110	<b>Ref. No.</b>
			—
<b>description</b>	reflector L 245mm W 95mm H 31mm thickness 0.75mm hole $\phi$ 15x40mm		

## hot plates

round

with radiused edge

for domestic and commercial kitchens

E·G·O




1

<b>No.</b>	490016	<b>Ref. No.</b>	9016
<b>description</b>	hot plate $\phi$ 180mm 2000W 230V connection 4 screw clamps with 8mm spill ring		



1

<b>No.</b>	490020	<b>Ref. No.</b>	9017
<b>description</b>	hot plate $\phi$ 220mm 2600W 230V connection 4 screw clamps with 8mm spill ring		
<b>accessories for</b>	490020		
	<b>No.</b>	550796	<b>Ref. No.</b>
			—
<b>description</b>	fixing plate for hot plate $\phi$ 220mm		



1

<b>No.</b>	490061	<b>Ref. No.</b>	9030
<b>description</b>	hot plate $\phi$ 300mm 2500W 230V connection 4 screw clamps with 8mm spill ring		

## thermostats

control and safety thermostats

EGO

control thermostats

55.10/19\_series

E·G·O

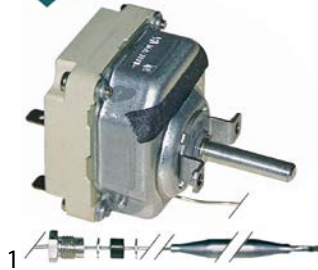


1

<b>No.</b>	375001	<b>Ref. No.</b>	9040
<b>description</b>	thermostat t.max. 112°C temperature range 30-110°C 1-pole 1NO 16A probe $\phi$ 6mm probe L 130mm capillary pipe 900mm capillary pipe isolatedmm gland nut M9x1 shaft L 23mm shaft position upper rotation 270°		



## 55.34\_series



<b>No.</b>	375143	<b>Ref. No.</b>	9041
------------	--------	-----------------	------

**description** thermostat t.max. 110°C temperature range 32-110°C 3-pole 3NO 16A probe ø 6mm probe L 133mm capillary pipe 1480mm capillary pipe isolated 1100mm gland nut M9x1 shaft ø 6x4.6mm shaft L 23mm shaft position upper rotation 270°



<b>No.</b>	375022	<b>Ref. No.</b>	9042
------------	--------	-----------------	------

**description** thermostat t.max. 180°C temperature range 95-180°C 3-pole 3NO 16A probe ø 6mm probe L 133mm capillary pipe 1780mm capillary pipe isolated 1400mm gland nut M9x1 shaft ø 6x4.6mm shaft L 23mm rotation 270°



<b>No.</b>	375038	<b>Ref. No.</b>	9044
------------	--------	-----------------	------

**description** thermostat t.max. 300°C temperature range 50-300°C 3-pole 3NO 16A probe ø 6mm probe L 79mm capillary pipe 1740mm capillary pipe isolated 800mm gland nut shaft ø 6x4.6mm shaft L 23mm shaft position upper rotation 270°

**accessories for** 375038

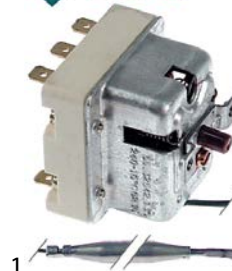


<b>No.</b>	110123	<b>Ref. No.</b>	—
------------	--------	-----------------	---

knob thermostat t.max. 300°C ø 50mm shaft ø 6x4.6mm shaft flat upper black temperature range 50-300°C rotation 270°

## safety thermostats

### 55.32\_series



<b>No.</b>	375704	<b>Ref. No.</b>	9047
------------	--------	-----------------	------

**description** safety thermostat switch-off temp. 240°C 3-pole 20A probe ø 6mm probe L 87mm capillary pipe 890mm capillary pipe isolated 600mm gland nut probe SS

## accessories

### plunger sockets



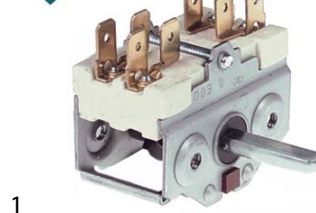
<b>No.</b>	550286	<b>Ref. No.</b>	9120
------------	--------	-----------------	------

**description** thermowell

## switches and momentary switches

### cam switches

#### on/off



<b>No.</b>	300074	<b>Ref. No.</b>	9020
------------	--------	-----------------	------

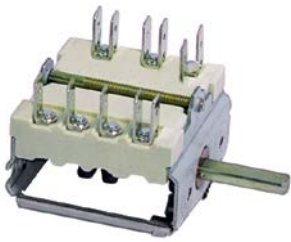
**description** cam switch 4 operating positions 2NO sequence 0-1-0-1 16A shaft ø 6x4.6mm shaft L 23mm connection male faston 6.3mm ceramic



<b>No.</b>	300017	<b>Ref. No.</b>	9021
------------	--------	-----------------	------

**description** cam switch 4 operating positions 4NO sequence 0-1-0-1 16A shaft ø 6x4.6mm shaft L 23mm connection male faston 6.3mm ceramic

4-position



1

<b>No.</b>	300007	<b>Ref. No.</b>	9022
<b>description</b>	cam switch 4 operating positions 1NO/2CO sequence 0-1-2-3 16A shaft ø 6x4.6mm shaft L 23mm connection male faston 6.3mm 4-position ceramic		

7-position



1

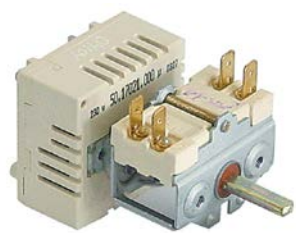
<b>No.</b>	300004	<b>Ref. No.</b>	9023
<b>description</b>	cam switch 7 operating positions 1NO/2CO sequence 0-1-2-3-4-5-6 16A shaft ø 6x4.6mm shaft L 23mm connection male faston 6.3mm 7-position ceramic		

operation switches



1

<b>No.</b>	300002	<b>Ref. No.</b>	9021h
<b>description</b>	cam switch 2 operating positions 4NO 16A sequence 0-1 shaft ø 6x4.6mm shaft L 23mm connection male faston 6.3mm ceramic		



1

<b>No.</b>	345635	<b>Ref. No.</b>	9028
<b>description</b>	operation switch with energy regulator		

lamps

indicator lights

indicator lights (complete)

ø25mm



1

<b>No.</b>	360551	<b>Ref. No.</b>	9060 9060W
<b>description</b>	indicator light ø 25mm 230V white connection male faston 6.3mm temp.-resist. 85°C		

screw-on/push-on fit

light bulbs

for ovens



1

<b>No.</b>	359610	<b>Ref. No.</b>	9064
<b>description</b>	light bulb t.max. 300°C socket E14 15W 230V ø 22mm L 47mm lens L 20mm for oven lamp type Philips		

oven lamps

universal oven lamps

mounting diameter 35.5mm




1


<b>No.</b>	359718	<b>Ref. No.</b>	9063
<b>description</b>	oven lamp mounting ø 35.5mm 230V 15W socket E14 temp.-resist. 300°C connection male faston 6.3mm hard glas		

spare parts for 359718

<b>No.</b>	359701	<b>Ref. No.</b>	—
<b>description</b>	lamp socket socket E14 220-230V mounting ø 35.5mm connection male faston 6.3mm 15W		
<b>No.</b>	359740	<b>Ref. No.</b>	—
<b>description</b>	light bulb t.max. 300°C socket E14 15W 230V ø 22mm L 48mm lens L 20mm for oven lamp IMPORT		




			
1			
<b>No.</b>	359709	<b>Ref. No.</b>	9058
<b>description</b>	oven lamp glass thr.ø 33.5mm ø 42mm hard glas temp.-resist. 350°C		

lamps			
light bulbs			
			
1			
<b>No.</b>	359610	<b>Ref. No.</b>	9064
<b>description</b>	light bulb t.max. 300°C socket E14 15W 230V ø 22mm L 47mm lens L 20mm for oven lamp type Philips		


**timers**  
mechanical timers

			
1			
<b>No.</b>	350030	<b>Ref. No.</b>	9026
<b>description</b>	timer M2 2-pole operation time 120min impulse mechanical 2NO at 250V 16A permanent position no shaft ø 6x4.6mm shaft 6x4.6mm shaft L 23mm mounting distance 28mm connection lateral		
<b>accessories for</b>	350030		
	<b>No.</b>	110366	<b>Ref. No.</b> —
	knob switch zero mark t.max.°C ø 44mm shaft ø 6x4.6mm shaft flat upper black		
	<b>No.</b>	111199	<b>Ref. No.</b> —
	dial plate graduation 120min permanent position no rotation 0-330° ø 60mm timers knob ø 45mm		


**motors**  
gear motors

for grills			
			
1			
<b>No.</b>	500492	<b>Ref. No.</b>	9135 9135 Gerätetyp 106
<b>description</b>	gear motor 230V 50Hz 2rpm shaft ø 18mm L 98mm W 70mm H 86mm for chicken rotisserie		

**ignition parts**  
electrodes

			
1			
<b>No.</b>	100729	<b>Ref. No.</b>	2-990021
<b>description</b>	ignition electrode L1 5mm D1 ø 8mm D2 ø 10mm BL1 41mm BL2 14mm connection F 2.8x0.8mm to clip with spring		

**piezoelectric igniters**  
mounting diameter 18mm

			
1			
<b>No.</b>	100004	<b>Ref. No.</b>	0010-540955
<b>description</b>	piezoelectric igniter body plastic blowing mounting ø 18mm connection ø2.4mm		





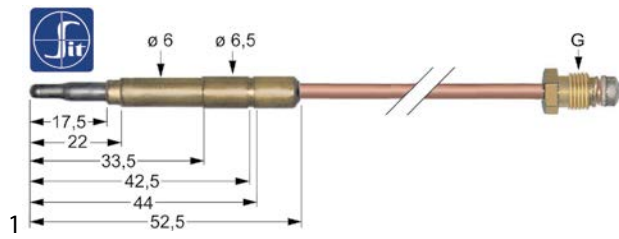
thermocouples

plug-in thermocouples

plug-in thermocouples standard

with barrel socket  $\phi 6(6.5)$ mm

thermocouples SIT



<b>No.</b>	107609	<b>Ref. No.</b>	2-9900423
<b>description</b>	thermocouple SIT M9x1 L 600mm plug connection $\phi 6.0(6.5)$ mm		

1			
<b>No.</b>	104102	<b>Ref. No.</b>	2-990630
<b>description</b>	burner head for burner cap $\phi$ 100mm ext. $\phi$ 130		

1			
<b>No.</b>	104100	<b>Ref. No.</b>	2-990631
<b>description</b>	burner head for burner cap $\phi$ 80mm		
<b>accessories for</b>	104100		
	<b>No.</b>	103065	<b>Ref. No.</b> 2-990620
	burner ring for burner cap $\phi$ 80mm		
	<b>No.</b>	103066	<b>Ref. No.</b> 2-990610
	burner cap $\phi$ 80mm		
	<b>No.</b>	104103	<b>Ref. No.</b> —
	burner holder suitable for burner $\phi$ 100mm with nozzle holder		

1			
<b>No.</b>	103067	<b>Ref. No.</b>	2-990621
<b>description</b>	burner ring for burner cap $\phi$ 100mm		
<b>accessories for</b>	103067		
	<b>No.</b>	103068	<b>Ref. No.</b> 2-990611
	burner cap $\phi$ 100mm		
	<b>No.</b>	104102	<b>Ref. No.</b> 2-990630
	burner head for burner cap $\phi$ 100mm ext. $\phi$ 130		
	<b>No.</b>	104103	<b>Ref. No.</b> —
	burner holder suitable for burner $\phi$ 100mm with nozzle holder		

1			
<b>No.</b>	103065	<b>Ref. No.</b>	2-990620
<b>description</b>	burner ring for burner cap $\phi$ 80mm		
<b>accessories for</b>	103065		
	<b>No.</b>	103066	<b>Ref. No.</b> 2-990610
	burner cap $\phi$ 80mm		
	<b>No.</b>	104100	<b>Ref. No.</b> 2-990631
	burner head for burner cap $\phi$ 80mm		
	<b>No.</b>	104101	<b>Ref. No.</b> —
	burner holder for burner cap $\phi$ 80mm with nozzle holder with mixing sleeve		

gas burners

hob burners

universal hob burners

1			
<b>No.</b>	103068	<b>Ref. No.</b>	2-990611
<b>description</b>	burner cap $\phi$ 100mm		
<b>accessories for</b>	103068		
	<b>No.</b>	103067	<b>Ref. No.</b> 2-990621
	burner ring for burner cap $\phi$ 100mm		
	<b>No.</b>	104102	<b>Ref. No.</b> 2-990630
	burner head for burner cap $\phi$ 100mm ext. $\phi$ 130		
	<b>No.</b>	104103	<b>Ref. No.</b> —
	burner holder suitable for burner $\phi$ 100mm with nozzle holder		

1			
<b>No.</b>	103066	<b>Ref. No.</b>	2-990610
<b>description</b>	burner cap $\phi$ 80mm		
<b>accessories for</b>	103066		
	<b>No.</b>	103065	<b>Ref. No.</b> 2-990620
	burner ring for burner cap $\phi$ 80mm		
	<b>No.</b>	104100	<b>Ref. No.</b> 2-990631
	burner head for burner cap $\phi$ 80mm		
	<b>No.</b>	104101	<b>Ref. No.</b> —
	burner holder for burner cap $\phi$ 80mm with nozzle holder with mixing sleeve		



## knobs

### producer-specific knobs

#### HAKA



1

<b>No.</b>	110664	<b>Ref. No.</b>	9051 Leistung
<b>description</b>	knob energy regulator 1-10 ø 60mm shaft ø 6x4.6mm shaft flat upper		



1

<b>No.</b>	110660	<b>Ref. No.</b>	9051 0-I
<b>description</b>	knob switch 0-1-0-1 t.max.°C ø 60mm shaft ø 6x4.6mm shaft flat upper		



1

<b>No.</b>	110661	<b>Ref. No.</b>	9051 4-Takt
<b>description</b>	knob switch 4-position ø 60mm shaft ø 6x4.6mm shaft flat upper black		



1


<b>No.</b>	110662	<b>Ref. No.</b>	9051 7-Takt
<b>description</b>	knob switch 7-position t.max.°C ø 60mm shaft ø 6x4.6mm shaft flat upper		



1

<b>No.</b>	110665	<b>Ref. No.</b>	9051 110°C
<b>description</b>	knob thermostat t.max. 110°C ø 60mm shaft ø 6x4.6mm shaft flat upper black temperature range 30-110°C		

**spare parts for** 110665

	<b>No.</b>	110885	<b>Ref. No.</b>	9035 110°C
	knob dial plate thermostat t.max. 110°C ED ø 45mm blue			



1

<b>No.</b>	110666	<b>Ref. No.</b>	9051 180°C
<b>description</b>	knob thermostat t.max. 180°C ø 60mm shaft ø 6x4.6mm shaft flat upper black temperature range 90-180°C		



1

<b>No.</b>	110659	<b>Ref. No.</b>	9051 Zeit
<b>description</b>	knob time 120min ø 60mm shaft ø 6x4.6mm shaft flat upper blue/black		

## baskets

### fryer baskets

#### HAKA




1

<b>No.</b>	970245	<b>Ref. No.</b>	8101 8181
<b>description</b>	fryer basket L1 200mm W1 220mm H1 120mm L2 450mm H2 210mm H3 245mm		



1

<b>No.</b>	970443	<b>Ref. No.</b>	8119
<b>description</b>	fryer basket L1 235mm W1 110mm H1 130mm		




1

<b>No.</b>	970444	<b>Ref. No.</b>	8118
<b>description</b>	fryer basket L1 235mm W1 195mm H1 130mm		



1

<b>No.</b>	970246	<b>Ref. No.</b>	8104
<b>description</b>	fryer basket L1 240mm W1 110mm H1 130mm		




1

<b>No.</b>	970247	<b>Ref. No.</b>	8111
<b>description</b>	fryer basket L1 240mm W1 195mm H1 130mm		




1

<b>No.</b>	970446	<b>Ref. No.</b>	8134
<b>description</b>	fryer basket L1 250mm W1 145mm H1 120mm L2 470mm H2 210mm H3 255mm chrome-plated steel		



1

<b>No.</b>	970254	<b>Ref. No.</b>	8114
<b>description</b>	fryer basket L1 300mm W1 170mm H1 110mm		



1

<b>No.</b>	970248	<b>Ref. No.</b>	8112
<b>description</b>	fryer basket L1 300mm W1 210mm H1 130mm		



1

<b>No.</b>	970445	<b>Ref. No.</b>	8133
<b>description</b>	fryer basket L1 300mm W1 210mm H1 130mm		



1

<b>No.</b>	970447	<b>Ref. No.</b>	8131
<b>description</b>	fryer basket L1 340mm W1 295mm H1 130mm		



1

<b>No.</b>	970256	<b>Ref. No.</b>	8103
<b>description</b>	fryer basket L1 340mm W1 310mm H1 130mm		