

Professionall

Solutii profesionale pentru echipamente profesionale



GAS COMPONENTS



ELECTRIC COMPONENTS



WATER TECHNOLOGY



MECHANICAL COMPONENTS



TOOLS

Spare parts suitable for

FAMA

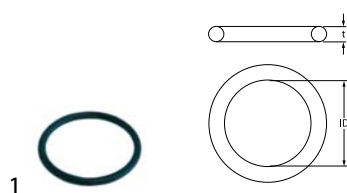


heating elements

accessories

sealing washers

O-rings






No.	510409	Ref. No.	F2680
description	O-ring EPDM thickness 5.34mm ID ø 56.52mm Qty 1 pcs		

switches and momentary switches


push/momentary push switches

ø22mm



No.	401357	Ref. No.	F2138	
description	momentary push switch mounting measurements ø22mm 1NO/1NC/indicator light 400V 4A indicator lamp 24V 0-1 connection screw ambient temperature max. 125/55°C protection IP40			
spare parts for	401357			
	No.	346181	Ref. No.	—
	push button mounting ø 21mm external size 30x55mm oval			
accessories for	401357			
	No.	401709	Ref. No.	—
	protective cover external size 57x32mm internal size 47x22mm matt finish rubber H 27.5mm			


overload switches



No.	348137	Ref. No.	F2231M
description	momentary push switch KLD-28A mounting measurements 45x22mm green/red 2NO/A1 250V 16A I O connection male faston 2.8mm/6.3mm ambient temperature max. 85°C protection IP55 with cover cap		

microswitches

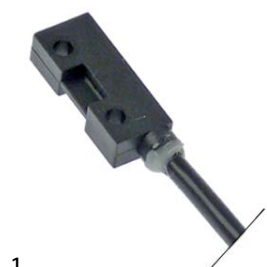
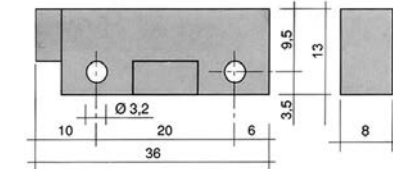
accessories




No.	346395	Ref. No.	F2163
description	cover for microswitch L 80mm W 60mm H 70mm		

magnetic switches

36x13mm

No.	345118 ¹	Ref. No.	F2066 FM0053	
description	magnetic switch L 36mm W 13mm 1NO 250V 1A P max. 50W connection cable cable length 980mm			
accessories for	345118			
	No.	345399	Ref. No.	—
	magnet ø 3.3mm L 40mm H 8mm W 13mm hole distance 30mm M3			

¹with coded connector


accessories


magnets


No.	346392	Ref. No.	F2063
description	magnet		


No.	346393	Ref. No.	F2064
description	magnet		



			
1			
No.	347968	Ref. No.	F2925
description	magnet ø 6mm L 20mm Hmm Wmm mounting ø 6mm		

			
1			
No.	403688	Ref. No.	F2140
description	PCB meat mincer/cheese grater T12 230V		




			
1			
No.	346892	Ref. No.	F2063+F2064
description	magnet with holder ø 22mm W 20mm hole ø 8mm		


			
1			
No.	401360	Ref. No.	F2141
description	PCB Mod.12 400V		

control equipment

GIOVENZANA

switches (complete)

				
1				
No.	401357	Ref. No.	F2138	
description	momentary push switch mounting measurements ø22mm 1NO/1NC/indicator light 400V 4A indicator lamp 24V 0-1 connection screw ambient temperature max. 125/55°C protection IP40			
spare parts for	401357			
	No.	346181	Ref. No.	—
	push button mounting ø 21mm external size 30x55mm oval			
accessories for	401357			
	No.	401709	Ref. No.	—
	protective cover external size 57x32mm internal size 47x22mm matt finish rubber H 27.5mm			

			
1			
No.	401358	Ref. No.	F2027
description	PCB Mod.8 230V		


electronics

PCBs


			
1			
No.	403027	Ref. No.	FCU179
description	PCB 230/400V		

keypads

membrane keypads

			
1			
No.	401356	Ref. No.	F2033
description	membrane keypad		

keypad units

			
1			
No.	401356	Ref. No.	F2033
description	membrane keypad		

motors

motors

for meat mincers

rotors

1			
	No.	500726	Ref. No.
description	rotor 230V ø 89.2mm shaft ø 25mm shaft length 357mm Mod.12 meat mincer/cheese grater		

1			
	No.	500725	Ref. No.
description	rotor 400V ø 89.2mm shaft ø 25mm shaft length 357mm Mod.22 meat mincer/cheese grater		

stators

1			
	No.	500826	Ref. No.
description	stator		

1			
	No.	500824	Ref. No.
description	stator 230V		


1			
	No.	500825	Ref. No.
description	stator 230V 50Hz 4-pole 1400rpm 1 phase ø 110mm ID ø 66mm H 60mm with temperature protection Mod.8		

1			
	No.	500828	Ref. No.
description	stator 230V 50Hz 4-pole 1400rpm 1 phase ø 150mm ID ø 90mm H 70mm with temperature protection Mod.12		

1			
	No.	500827	Ref. No.
description	stator 230V 50Hz 4-pole 1400rpm 3 phase ø 110mm ID ø 62mm H 75mm with temperature protection Mod.8		

1			
	No.	500830	Ref. No.
description	stator 230V 50Hz 6-pole 900rpm 1 phase ø 150mm ID ø 103mm H 90mm with temperature protection Mod.22		

1			
	No.	500829	Ref. No.
description	stator 400V 50Hz 4-pole 1400rpm 3 phase ø 150mm ID ø 83.6mm H 50mm with temperature protection Mod.12		


				
1	No.	500831	Ref. No.	F2204
description stator 400V 50Hz 6-pole 900rpm 3 phase ø 150mm ID ø 90mm H 70mm with temperature protection Mod.22				

condensators & interference suppression filters

operating capacitors

plastic				
				
1	No.	365014	Ref. No.	F2028
description operating capacitor capacity 12.5µF 450V tolerance 5%Hz ambient temperature max. -25 to +85°C ø 35mm L 70mm M8 plastic connection male faston 6.3mm 45S.C3DS.12.5 protection				

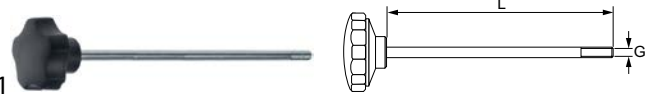
				
1	No.	365021	Ref. No.	F2144
description operating capacitor capacity 16µF 425V tolerance 5% 50/60Hz ambient temperature max. -25 to +85°C ø 35mm L 73mm single M8 plastic connection male faston 6.3mm 416.10.99 protection				

				
1	No.	365019	Ref. No.	F2223
description operating capacitor capacity 20µF 400V tolerance 5% 50/60Hz ambient temperature max. -25 to +85°C ø 39.5mm L 70mm M8 plastic connection male faston 6.3mm 16.10.25. protection				

equipment-specific units


for slicers

locking screws

				
1	No.	698265	Ref. No.	N/A
description locking screw thread M6 L 168mm ø 6mm handle ø 40mm 220/250				

food holders

handles

				
1	No.	111123	Ref. No.	FA30G057
description handle thread M10 IT ø 30mm L 110mm D1 ø 65mm				


grindstones


grindstones cup form

				
1	No.	697606	Ref. No.	FA35G034.15
description grindstone ø 51mm thickness 12mm bore ø 8mm grained coarse without bevel				


for meat mincers


gear wheels

				
1	No.	698028	Ref. No.	F2106
description gear wheel double ø 32/70mm shaft intake ø 15mm W 30mm teeth 18/41 splitting tooth width 14/11mm DIN/ISO Mod.12-22				

				
1	No.	698027	Ref. No.	F2104
description gear wheel ø 25mm shaft intake ø 10mm teeth 13 splitting tooth width 20mm DIN/ISO Mod.12-22				





1			
	No.	698019	Ref. No.
description gear wheel ø 34mm shaft intake ø 15mm teeth 19 splitting tooth width 19mm DIN/ISO Mod.8			


1			
	No.	698029	Ref. No.
description gear wheel ø 64mm shaft intake ø 16mm teeth 39 splitting tooth width 13mm DIN/ISO Mod.12-22			


drive shafts


for blades


1			
	No.	698038	Ref. No.
description drive shaft ENTERPRISE model 12 ø 9.5mm L 53mm thread M12x1.75 D1 ø 20mm thread L 20mm			

1			
	No.	698056	Ref. No.
description drive shaft ENTERPRISE model 22 ø 11mm L 53mm thread M12x1.75 D1 ø 22mm thread L 18mm			


1			
	No.	698023	Ref. No.
description drive shaft ENTERPRISE model 8 ø 8.5mm L 37mm stainless steel thread M10x1.5 thread L 15mm			


1			
	No.	698045	Ref. No.
description drive shaft model 12			

1			
	No.	698046	Ref. No.
description drive shaft Unger model 12 ø 11.3mm L 43mm stainless steel thread M12x1.75 D1 ø 20mm thread L 20mm			

1			
	No.	698066	Ref. No.
description drive shaft Unger model 22 ø 12/15mm L 80mm stainless steel thread M12x1.75			

for augers

1			
	No.	698031	Ref. No.
description drive shaft model 12-22 ø 17mm L 78mm D1 ø 25mm shaft diameter 10x23mm			

1			
	No.	698020	Ref. No.
description drive shaft model 8 ø 15mm L 124mm D1 ø 20mm shaft diameter 10x19mm			

1			
	No.	698030	Ref. No.
description spindle ø 15mm L 31mm Mod.12-22 thread M14x1.5 total length 46mm			

locking screws

locking levers

1			
	No.	698093	Ref. No.
description locking lever thread M10 ø 28mm lever length 70mm thread L 30mm plastic total length 77mm			

locking screws



1

No.	698092	Ref. No.	F2115
description	locking screw thread M10 thread L 30mm handle ø 60mm plastic		




1

No.	698091	Ref. No.	F2040
description	locking screw thread M8 thread L 25mm handle ø 40mm		

lids



1

No.	698017	Ref. No.	F2152	
description	lid model 12-22 ø 100mm plastic mounting distance 85mm			
accessories for	698017			
	No.	699592	Ref. No.	—
	plug for lid ø 75mm plastic for meat mincer/cheese grater			



1

No.	698010	Ref. No.	F2002
description	lid model 8 ø 78mm plastic mounting distance 70mm		

gaskets



1

No.	698026	Ref. No.	F2206
description	gasket for gearbox for model 22 ø 132mm mounting distance 120mm rubber thickness 1mm		



1

No.	698018	Ref. No.	F2012
description	gasket for gearbox for model 8 ø 110mm mounting distance 94x97mm rubber thickness 2mm		



1

No.	698253	Ref. No.	F2014M
description	lid for gearbox ø 35mm thickness 7mm		

funnel trays



1

No.	698077	Ref. No.	F2038 F2113 F2113 ø52mm
description	hopper filling pipe central L 275mm W 200mm H 50mm tube ø 52mm		



1

No.	698201	Ref. No.	F2038 ø56mm
description	hopper filling pipe central L 275mm W 200mm H 60mm tube ø 56mm		



1

No.	698241	Ref. No.	F2038 ø56mm F2113 ø56mm
description	hopper filling pipe central L 275mm W 200mm H 60mm tube ø 56mm		




1


No.	698076	Ref. No.	F2207 ø52mm
description	hopper filling pipe central L 370mm W 250mm H 60mm tube ø 52mm		



1


No.	698208	Ref. No.	F2207 ø56mm
description	hopper filling pipe central L 370mm W 250mm H 60mm tube ø 56mm		

funnels




1

No.	698085	Ref. No.	F2149
description	funnel model 12 ø 15mm		




1

No.	698086	Ref. No.	F2150
description	funnel model 12 ø 20mm ED ø 65mm L 135mm		




1

No.	698087	Ref. No.	F2151
description	funnel model 12 ø 25mm		




1

No.	698088	Ref. No.	F2224
description	funnel model 22 ø 15mm		




1

No.	698089	Ref. No.	F2225
description	funnel model 22 ø 20mm		




1


No.	698090	Ref. No.	F2226
description	funnel model 22 ø 25mm		



1

No.	698082	Ref. No.	F2050
description	funnel model 8 ø 15mm		

			
1			
No.	698083	Ref. No.	F2051
description	funnel model 8 ø 20mm		

			
1			
No.	698084	Ref. No.	F0163 F0163-8+F2939
description	funnel model 8 set with ø15mm / ø20mm / ø25mm		

grinder plates

ENTERPRISE

with 1 notch

with hub

			
1			
No.	696117	Ref. No.	F2131/10
description	grinder plate type ENTERPRISE size 12 hole ø 10mm with hub grooves 1 stainless steel ø 70mm		

			
1			
No.	696118	Ref. No.	F2131/12
description	grinder plate type ENTERPRISE size 12 hole ø 12mm with hub grooves 1 stainless steel ø 70mm		

			
1			
No.	696119	Ref. No.	F2131/14
description	grinder plate type ENTERPRISE size 12 hole ø 14mm with hub grooves 1 stainless steel ø 70mm		

			
1			
No.	696120	Ref. No.	F2131/16
description	grinder plate type ENTERPRISE size 12 hole ø 16mm with hub grooves 1 stainless steel ø 70mm		

			
1			
No.	696121	Ref. No.	F2131/18
description	grinder plate type ENTERPRISE size 12 hole ø 18mm with hub grooves 1 stainless steel ø 70mm		

			
1			
No.	696130	Ref. No.	F2219/10
description	grinder plate type ENTERPRISE size 22 hole ø 10mm with hub grooves 1 stainless steel ø 82mm		



No.	696131	Ref. No.	F2219/12
description	grinder plate type ENTERPRISE size 22 hole ø 12mm with hub grooves 1 stainless steel ø 82mm		

No.	696135	Ref. No.	F2219/20
description	grinder plate type ENTERPRISE size 22 hole ø 20mm with hub grooves 1 stainless steel ø 82mm		

No.	696132	Ref. No.	F2219/14
description	grinder plate type ENTERPRISE size 22 hole ø 14mm with hub grooves 1 stainless steel ø 82mm		

No.	696106	Ref. No.	F2045/10
description	grinder plate type ENTERPRISE size 8 hole ø 10mm with hub grooves 1 stainless steel ø 62mm		

No.	696133	Ref. No.	F2219/16
description	grinder plate type ENTERPRISE size 22 hole ø 16mm with hub grooves 1 stainless steel ø 82mm		

No.	696107	Ref. No.	F2045/12
description	grinder plate type ENTERPRISE size 8 hole ø 12mm with hub grooves 1 stainless steel ø 62mm		

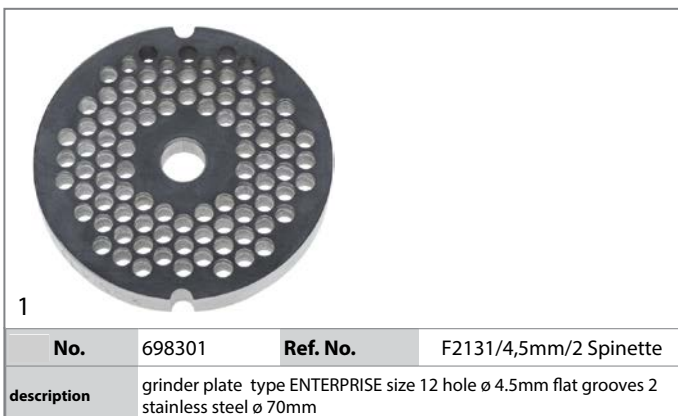
No.	696134	Ref. No.	F2219/18
description	grinder plate type ENTERPRISE size 22 hole ø 18mm with hub grooves 1 stainless steel ø 82mm		

No.	696108	Ref. No.	F2045/14
description	grinder plate type ENTERPRISE size 8 hole ø 14mm with hub grooves 1 stainless steel ø 62mm		



with 2 notches

flat



with hub






1

No.	696113	Ref. No.	F2131/3,5 old
description	grinder plate type ENTERPRISE size 12 hole \varnothing 3.5mm with hub grooves 2 stainless steel \varnothing 70mm		



1

No.	696116	Ref. No.	F2131/8
description	grinder plate type ENTERPRISE size 12 hole \varnothing 8mm with hub grooves 2 stainless steel \varnothing 70mm		




1

No.	696112	Ref. No.	F2131/3
description	grinder plate type ENTERPRISE size 12 hole \varnothing 3mm with hub grooves 2 stainless steel \varnothing 70mm		



1

No.	696124	Ref. No.	F2219/2
description	grinder plate type ENTERPRISE size 22 hole \varnothing 2mm with hub grooves 2 stainless steel \varnothing 82mm		



1

No.	696114	Ref. No.	F2131/4,5
description	grinder plate type ENTERPRISE size 12 hole \varnothing 4.5mm with hub grooves 2 stainless steel \varnothing 70mm		




1

No.	696126	Ref. No.	2219/3,5
description	grinder plate type ENTERPRISE size 22 hole \varnothing 3.5mm with hub grooves 2 stainless steel \varnothing 82mm		




1

No.	696115	Ref. No.	F2131/6
description	grinder plate type ENTERPRISE size 12 hole \varnothing 6mm with hub grooves 2 stainless steel \varnothing 70mm		




1

No.	696125	Ref. No.	F2219/3
description	grinder plate type ENTERPRISE size 22 hole \varnothing 3mm with hub grooves 2 stainless steel \varnothing 82mm		




1

No.	696127	Ref. No.	F2219/4,5
description	grinder plate type ENTERPRISE size 22 hole ø 4.5mm with hub grooves 2 stainless steel ø 82mm		




1

No.	696102	Ref. No.	F2045/3,5
description	grinder plate type ENTERPRISE size 8 hole ø 3.5mm with hub grooves 2 stainless steel ø 62mm		



1

No.	696128	Ref. No.	F2219/6
description	grinder plate type ENTERPRISE size 22 hole ø 5.8mm with hub grooves 2 stainless steel ø 82mm		




1

No.	696101	Ref. No.	F2045/3
description	grinder plate type ENTERPRISE size 8 hole ø 3mm with hub grooves 2 stainless steel ø 62mm		




1

No.	696129	Ref. No.	F2219/8
description	grinder plate type ENTERPRISE size 22 hole ø 8mm with hub grooves 2 stainless steel ø 82mm		



1

No.	696103	Ref. No.	F2045/4,5
description	grinder plate type ENTERPRISE size 8 hole ø 4.5mm with hub grooves 2 stainless steel ø 62mm		



1

No.	696140	Ref. No.	F0502
description	grinder plate type ENTERPRISE size 32 hole ø 4.5mm with hub grooves 2 stainless steel ø 100mm		




1

No.	696104	Ref. No.	F2045/6
description	grinder plate type ENTERPRISE size 8 hole ø 6mm with hub grooves 2 stainless steel ø 62mm		




1


No.	696105	Ref. No.	F2045/8
description	grinder plate type ENTERPRISE size 8 hole ø 8mm with hub grooves 2 stainless steel ø 62mm		



1


No.	696023	Ref. No.	F2218
description	knife type ENTERPRISE size 22 ø 73mm internal size 13x13mm stainless steel		
For models:	TC 22 E		

UNGER




1

No.	696161	Ref. No.	F2234
description	grinder plate type Unger size 12 hole ømm flat grooves 1 stainless steel ø 69.6mm		




1

No.	696033	Ref. No.	F0503
description	knife type ENTERPRISE size 32 ø 90mm internal size 15x15mm stainless steel		



1

No.	696162	Ref. No.	F2244
description	grinder plate type Unger size 22 hole ømm flat grooves 1 stainless steel ø 81.6mm		



1

No.	696021	Ref. No.	F2044 F2044M
description	knife type ENTERPRISE size 8 ø 55mm internal size 10x10mm stainless steel		

blades

ENTERPRISE



1


No.	696022	Ref. No.	F2130
description	knife type ENTERPRISE size 12 ø 62mm internal size 12x12mm stainless steel		
For models:	FTG 127, TG 12		

UNGER


with extendable blades

SALVINOX

blades



1

No.	696024	Ref. No.	F2235	
description	knife type Unger size R-70 (12) ø 62mm stainless steel with blades			
accessories for	696024			
	No.	696025	Ref. No.	F2261
	spare blades type Unger size R-70 (12) stainless steel Qty 9 pcs			

spare blades



1

No.	696025	Ref. No.	F2261
description	spare blades type Unger size R-70 (12) stainless steel Qty 9 pcs		

spacer rings



1

No.	698068	Ref. No.	F2249
description	spacer ring type Unger size H-82 (22) ø 81.5mm H 18mm		



1

No.	698067	Ref. No.	F2259
description	spacer ring type Unger size H-82 (22) ø 81.5mm H 7mm		



1

No.	698047	Ref. No.	F2239
description	spacer ring type Unger size R-70 (12) ø 69.5mm H 15mm		

ring nuts



1

No.	698049	Ref. No.	F2134
description	ring nut Unger model 12 stainless steel		



1

No.	698070	Ref. No.	F2254
description	ring nut Unger model 22 stainless steel thread M94x2		



1

No.	698251	Ref. No.	F2046M
description	ring nut ENTERPRISE model 8 nickel-plated aluminium		



1

No.	698024	Ref. No.	F2046
description	ring nut model 8 aluminium		



1


No.	698040	Ref. No.	F2133
description	ring nut Unger model 12 ED ø 89mm thickness 27mm ID ø 64mm stainless steel thread M82x2		




1

No.	698039	Ref. No.	F2132
description	ring nut Unger model 12 ID ø 78mm aluminium		





			
1			
No.	698057	Ref. No.	F2220
description	ring nut Unger model 22 ID ø 73mm aluminium		


			
1			
No.	698058	Ref. No.	F2221
description	ring nut Unger model 22 ID ø 74mm stainless steel thread M94x2		


augers
complete


			
1			
No.	698037	Ref. No.	F2124 F2124+F2127 F2124PS
description	auger model 12 ø 53mm L 135mm stainless steel with spindle ENTERPRISE		


			
1			
No.	698035	Ref. No.	F2122 F2122+F2127 F2122PS
description	auger model 12 ø 53mm L 140mm aluminium with spindle ENTERPRISE		


			
1			
No.	698043	Ref. No.	F2125 F2125+F2128
description	auger model 12 ø 53mm L 145mm cast iron with spindle Unger		


			
1			
No.	698044	Ref. No.	F2126 F2126+F2129 F2126PU
description	auger model 12 ø 53mm L 145mm stainless steel with spindle Unger		

			
1			
No.	698036	Ref. No.	F2123 F2123+F2127 F2123PS
description	auger model 12 ø 53mm L 150mm cast iron with spindle ENTERPRISE		


			
1			
No.	698053	Ref. No.	F2214 F2214+F2217 F2214PS
description	auger model 22 ø 63mm L 150mm aluminium with spindle ENTERPRISE		


			
1			
No.	698054	Ref. No.	F2215 F2215+F2217 F2215PS
description	auger model 22 ø 63mm L 150mm cast iron with spindle ENTERPRISE		

			
1			
No.	698063	Ref. No.	F2242 F2242+F2243 F2242+F2252 F2242PU
description	auger model 22 ø 63mm L 175mm cast iron with spindle Unger		

			
1			
No.	698055	Ref. No.	F2216 F2216+F2217 F2216PS
description	auger model 22 ø 64mm L 150mm stainless steel with spindle ENTERPRISE		

			
1			
No.	698062	Ref. No.	F2251 F2251+F2252
description	auger model 22 ø 64mm L 175mm stainless steel with spindle Unger		

			
1			
No.	698022	Ref. No.	F2042 F2042+F2043
description	auger model 8 ø 44mm L 115mm stainless steel with spindle ENTERPRISE		

			
1			
No.	698021	Ref. No.	F2041 F2041+F2043 F2041PS
description	auger model 8 ø 45mm L 117mm aluminium with spindle ENTERPRISE		

			
1			
No.	698252	Ref. No.	F2042M+F2043M
description	auger model 8 stainless steel with spindle ENTERPRISE		

augers chambers

outer parts


			
1			
No.	698250	Ref. No.	F2039M
description	auger chamber ENTERPRISE model 8 aluminium		


			
1			
No.	698243	Ref. No.	F2110 ø 52
description	body ENTERPRISE model 12 inlet ø 52mm aluminium		


inner parts

			
1			
No.	698032	Ref. No.	F2117 F2117+F2116
description	auger chamber ENTERPRISE model 12 inlet ø 56mm cast iron		




			
1			
No.	698294	Ref. No.	F2119 F2119 2 spinette
description	auger chamber ENTERPRISE model 12 inlet ø 60mm aluminium		


			
1			
No.	698041	Ref. No.	F2120 F2120+F2116
description	auger chamber Unger model 12 inlet ø 59mm cast iron		


			
1			
No.	698034	Ref. No.	F2118
description	auger chamber ENTERPRISE model 12 inlet ø 61mm stainless steel		



			
1			
No.	698042	Ref. No.	F2121
description	auger chamber Unger model 12 stainless steel		

			
1			
No.	698050	Ref. No.	F2212
description	auger chamber ENTERPRISE model 22 inlet ø 62mm aluminium		


			
1			
No.	698059	Ref. No.	F2240
description	auger chamber Unger model 22 inlet ø 62mm cast iron		

			
1			
No.	698051	Ref. No.	F2210 F2210+F2213
description	auger chamber ENTERPRISE model 22 inlet ø 62mm cast iron		

			
1			
No.	698061	Ref. No.	F2255 F2255 + F2213
description	auger chamber Unger model 22 inlet ø 62mm cast iron for double-bladed knife		

			
1			
No.	698052	Ref. No.	F2211
description	auger chamber ENTERPRISE model 22 inlet ø 62mm stainless steel thread M94x2		
accessories for	698052		
	No.	690058	Ref. No.
			—
	counter support for off-set 19mm mounting distance 14.25mm W 28mm L 52mm H 50mm type 6000/6004 no. 6000-020701		

			
1			
No.	698060	Ref. No.	F2250
description	auger chamber Unger model 22 stainless steel		

<p>plungers</p> 			
1			
No.	698080	Ref. No.	F2037 F2114 F2208
description	plunger ø 46mm L 120mm total length 240mm plastic hollow		

for cheese graters

lids



1

No.	698017	Ref. No.	F2152
description	lid model 12-22 ø 100mm plastic mounting distance 85mm		
accessories for	698017		
	No.	699592	Ref. No.
			—
description	plug for lid ø 75mm plastic for meat mincer/cheese grater		



1

No.	698010	Ref. No.	F2002
description	lid model 8 ø 78mm plastic mounting distance 70mm		

press levers



1

No.	698012	Ref. No.	F2161
description	press lever Mod.12		



1

No.	698236	Ref. No.	F2162
description	press lever Mod.12-22		

rubbing cylinders

complete



1

No.	698014	Ref. No.	F2156+2xF2155
description	grating cylinder ø 79mm L 155mm ID ø 25mm Mod.12-22		



1

No.	698015	Ref. No.	F2158
description	grating cylinder ø 79mm L 155mm ID ø 25mm stainless steel Mod.12-22		

rubbing cylinders



1

No.	698234	Ref. No.	F2156
description	grating cylinder ø 79mm L 142.2mm ID ø 71mm Mod.12-22		

side parts

1


No.	698008	Ref. No.	F2057
description	grating cylinder		



1

No.	698009	Ref. No.	F2055
description	grating cylinder		

1



No.	698016	Ref. No.	F2155
description	side panel ID ø 25mm ED ø 71mm W 24mm aluminium Mod.12-22		

grating cylinder housings

1



No.	698013	Ref. No.	F2167
description	housing aluminium Mod.12		


gear wheels

1



No.	698028	Ref. No.	F2106
description	gear wheel double ø 32/70mm shaft intake ø 15mm W 30mm teeth 18/41 splitting tooth width 14/11mm DIN/ISO Mod.12-22		

1



No.	698027	Ref. No.	F2104
description	gear wheel ø 25mm shaft intake ø 10mm teeth 13 splitting tooth width 20mm DIN/ISO Mod.12-22		


1



No.	698029	Ref. No.	F2107
description	gear wheel ø 64mm shaft intake ø 16mm teeth 39 splitting tooth width 13mm DIN/ISO Mod.12-22		


miscellaneous

1



No.	698011	Ref. No.	F2062 F2160
description	bolt for press lever ø 8mm L 60mm		

1



No.	346394	Ref. No.	F2164
description	bush for microswitch ø 8mm D1 ø 22mm		

1



No.	346395	Ref. No.	F2163
description	cover for microswitch L 80mm W 60mm H 70mm		



for mozzarella slicers

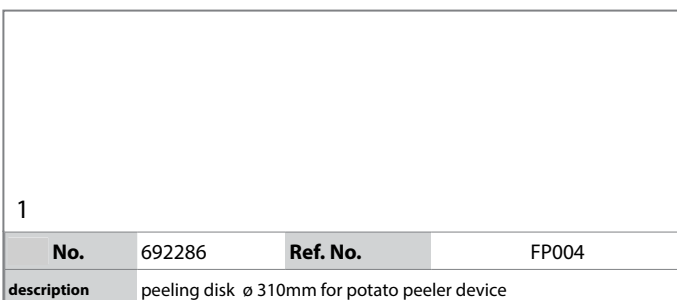
accessories



for potato peelers

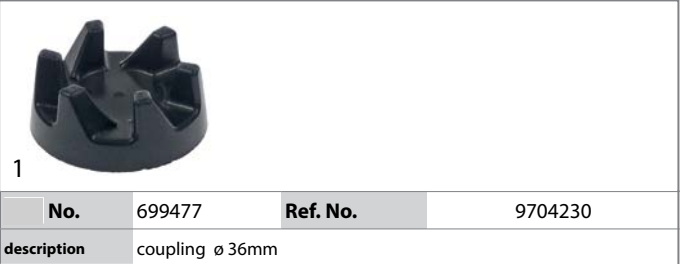
abrasive side elements

grinding discs



for planetary mixers

miscellaneous



for bar blender

blenders

jar components

gaskets



holders



blades


blades with adaptor (complete)





actuators

group 2




1

No.	651043	Ref. No.	C0007F308
description	mixer coupling ø 28mm H 13mm teeth 8 rubber		


mixers

mixer discs



1

No.	696747	Ref. No.	C0007F216
description	mixer disc ø 26mm H 28.5mm M6		




1

No.	696746	Ref. No.	C0004F213
description	mixer disc ø 26mm ID ø 6.2mm 7		

for hand blenders

spare parts and accessories



1

No.	651051	Ref. No.	F2524
description	coupling male sitck side L 25mm teeth 8 int. ø 1 8x6mm		

blender sticks

blender sticks




1

No.	699180	Ref. No.	FM500
description	blender stick L 500mm		

beaters

beaters




1

No.	697763	Ref. No.	F2435
description	whisk ø 90mm L 270mm hole ø 8mm 350/450/650		

for citrus juicers

spillage trays



1

No.	650268	Ref. No.	C0007S810
description	tray ø 145mm H 78mm		


housings



1


No.	650269	Ref. No.	C0007S807
description	protective cover ø 205mm H 52mm		

juicer insert



1

No.	650267	Ref. No.	C0004S803
description	juicer insert for citrus juicers ø 110mm H 48mm		


			
1			
No.	650266	Ref. No.	C00045817
description	juicer insert ø 91mm H 64mm mounting pos. upper		

for espresso machines

brewing units


filter holder gaskets

O-rings

			
1			
No.	510409	Ref. No.	F2680
description	O-ring EPDM thickness 5.34mm ID ø 56.52mm Qty 1 pcs		

for coffee grinders

support for filter holder

			
1			
No.	696745	Ref. No.	C2040131
description	filter holder support L 85mm ø 10mm		

for tilting bratt pans

miscellaneous

			
1			
No.	523510	Ref. No.	F2016 F2082
description	deep-groove ball bearing type 6202-2RS shaft ø 15mm ED ø 35mm W 11mm with sealing discs deep-groove ball bearing DIN 625-1		
For models:	TG8, TGI8, TI8, TS8		

handles and hand wheels

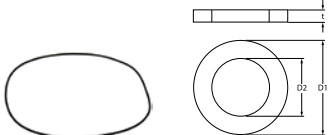
bracket handles


			
1			
No.	700725	Ref. No.	FA30G049
description	pull handle L 130mm H 45mm mounting distance 115mm thread M6 W 30mm handle M6		


gaskets

O-rings

EPDM


			
1			
No.	698025	Ref. No.	F2351
description	O-ring EPDM thickness 2mm ID ø 164.5mm Qty 1 pcs		

			
1			
No.	532457	Ref. No.	F2186
description	O-ring EPDM thickness 3.53mm ID ø 85.32mm Qty 1 pcs		

			
1			
No.	510409	Ref. No.	F2680
description	O-ring EPDM thickness 5.34mm ID ø 56.52mm Qty 1 pcs		

sealing washers


silicone gaskets

			
1			
No.	651007	Ref. No.	C0007F323
description	gasket ED ø 75mm ID ø 55mm thickness 3mm Qty 1 pcs		




shaft gaskets

shaft gaskets




1

No.	698001	Ref. No.	F0544 F2021
description	shaft seal ID ø 20mm ED ø 35mm thickness 7mm		



1

No.	698185	Ref. No.	F0544
description	shaft seal ID ø 20mm ED ø 35mm thickness 7mm		



1

No.	698002	Ref. No.	F2101
description	shaft seal ID ø 25mm ED ø 40mm thickness 7mm		

transmission technology and ball bearings

ball bearings

deep-groove ball bearings 2RS



1

No.	523534	Ref. No.	F0535
description	deep-groove ball bearing type 6001-2RS shaft ø 12mm ED ø 28mm W 8mm with sealing discs deep-groove ball bearing DIN 625-1		




1

No.	523522	Ref. No.	F0533 F0552 F2005 F2010
description	deep-groove ball bearing type 6004-2RS shaft ø 20mm ED ø 42mm W 12mm with sealing discs deep-groove ball bearing DIN 625-1		



1

No.	523510	Ref. No.	F2016 F2082
description	deep-groove ball bearing type 6202-2RS shaft ø 15mm ED ø 35mm W 11mm with sealing discs deep-groove ball bearing DIN 625-1		
For models:	TG8, TGI8, TI8, TS8		



1

No.	523511	Ref. No.	F2103
description	deep-groove ball bearing type 6203-2RS shaft ø 17mm ED ø 40mm W 12mm with sealing discs deep-groove ball bearing DIN 625-1		



1

No.	523513	Ref. No.	F0161 F0545 F2171
description	deep-groove ball bearing type 6205-2RS shaft ø 25mm ED ø 52mm W 15mm with sealing discs deep-groove ball bearing DIN 625-1		

deep-groove ball bearings Z



1

No.	697842	Ref. No.	F2093
description	deep-groove ball bearing type 6203-Z shaft ø 17mm ED ø 40mm W 12mm DIN 625-1		

deep-groove ball bearings open



1

No.	523535	Ref. No.	F0510
description	deep-groove ball bearing shaft ø 20mm ED ø 40mm W 14mm type 16005 DIN 625-1		

thrust ball bearings



1			
No.	523536	Ref. No.	F0511
description	thrust ball bearing shaft ø 20mm ED ø 40mm W 14mm type 51204 DIN 711		



1			
No.	698073	Ref. No.	F2169
description	meat collecting tray ø 220mm Lmm Wmm H 90mm		

fastening material

screws

cylinder head bolts

DIN 912/ISO 4762



1			
No.	560326	Ref. No.	F2024M
description	cylinder head bolt thread M5 thread L 14mm WS 4 zinc-coated steel Qty 1 pcs DIN 912/ISO 4762		

fasteners

retaining rings

DIN 472



1			
No.	698003	Ref. No.	F2015
description	retaining ring bore ø 35mm thickness 1.5mm steel DIN 472		



1			
No.	698004	Ref. No.	F2108
description	retaining ring bore ø 40mm thickness 1.9mm steel DIN 472		

springs

compression springs



1			
No.	696748	Ref. No.	C0008CPS056
description	spring ø 19mm L 43mm wire gauge ø 2mm windings 10 steel		

kitchen accessories

spillage trays



1			
No.	698112	Ref. No.	F2047
description	meat collecting tray L 255mm W 195mm H 50mm		



1			
No.	698074	Ref. No.	F2222
description	meat collecting tray L 310mm W 240mm H 50mm		



1			
No.	698071	Ref. No.	F2069
description	meat collecting tray ø 160mm Lmm Wmm H 60mm		



consumables

lubricants

oils

gear oils



1

No.	890285	Ref. No.	N/A
description	gear oil 680 EP for mincer Qty 1l		