

Professionall

Solutii profesionale pentru echipamente profesionale



GAS COMPONENTS



ELECTRIC COMPONENTS



WATER TECHNOLOGY



MECHANICAL COMPONENTS



TOOLS


Spare parts suitable for


ARRIS



heating elements


heating elements for griddles

			
No.	418627	Ref. No.	90.046 90.046/2 + 90.131/1
description	heating element 440W 115V heating circuits 1 L 560mm W 25mm tube ø 6.3mm connection M4 mounting distance 19mm		

			
No.	419030	Ref. No.	90.046/2
description	heating element 440W 115V heating circuits 1 L 580mm W 23mm Hmm tube ø 6.3mm cable length 160mm		


energy regulators


EGO

1-circuit			
			
No.	380015	Ref. No.	PR001
description	energy regulator 230V 13A single-circuit turn direction right shaft ø 6x4.6mm shaft L 23mm mounting thread M4 power release 6-100% no. 50.57021.010		

lamps


indicator lights

indicator lights (complete)			
ø10mm			
with screw socket			
			
No.	359469	Ref. No.	1.123 / 2
description	indicator light ø 10mm 240V yellow cable length 200mm temp.-resist. 120°C with screw connection		

			
No.	359468	Ref. No.	1.123 / 1
description	indicator light ø 10mm 250V green cable length 200mm temp.-resist. 120°C with screw connection		




electric accessories




terminals

terminal blocks			
			
No.	550838	Ref. No.	90.131/1
description	lustre terminal 12-pole cross section 6mm ² max. 41A max 750V temp.-resist. 150°C		

gas taps

PEL

21S series				
				
No.	102557	Ref. No.	90.071	
description	gas tap PEL type 21S gas inlet M16x1.5 (tube ø 10mm) bypass nozzle ø 0.35mm gas outlet M16x1.5 (tube ø 10/8mm) thermocouple connection M8x1 pilot connection M10x1 shaft ø 8x6.5mm shaft L 22/15mm shaft flat upper			
spare parts for	102557			
	No.	100531	Ref. No.	—
	bypass nozzle type PEL20/21 bore ø 1.15mm thread M5x0.5			
	No.	101230	Ref. No.	—
	thermocouple nut T1: M8x1 T2: M18x1 aluminium			

22S/O series				
				
No.	102558	Ref. No.	90.020	
description	gas tap PEL type 22S/O gas inlet M20x1.5 (tube ø 12mm) bypass nozzle ø 1.8mm gas outlet M20x1.5 (tube ø 12/10mm) thermocouple connection M8x1 pilot connection M10x1 shaft ø 10x8mm shaft L 25/17mm shaft flat lower			
spare parts for	102558			
	No.	101058	Ref. No.	—
	magnet unit L 39mm D1 ø 15.4mm D2 ø 13.5mm suitable for PEL22/EGA24197 standard			
	No.	101201	Ref. No.	—
	gas tap front part shaft ø 10x8mm shaft L 25/17mm shaft flat upper/lower suitable for PEL22			



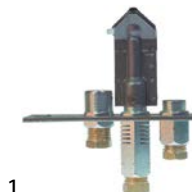
spare parts for		102558		
No.	101230	Ref. No.	—	
			thermocouple nut T1: M8x1 T2: M18x1 aluminium	
No.	101240	Ref. No.	—	
			gas connection thread M20x1.5 tube ø 12/10mm for PEL gas taps with gasket and screws horizontal	
No.	101460	Ref. No.	—	
			O-ring ø 12.37mm D1 ø 2.62mm suitable for PEL22	
No.	101461	Ref. No.	—	
			screw kit suitable for PEL22 Qty 4 pcs	
No.	106656	Ref. No.	—	
			bypass nozzle type PEL22 bore ø 1.8mm thread M6x0.5	
accessories for		102558		
No.	100908	Ref. No.	—	
			union screw thread M10x1 for pipe ø 4mm Qty 1 pcs	
No.	100909	Ref. No.	—	
			union screw thread M10x1 for pipe ø 6mm Qty 1 pcs	
No.	101241	Ref. No.	—	
			gas connection thread M20x1.5 tube ø 12/10mm for PEL gas taps vertical	
No.	101246	Ref. No.	—	
			olive for pipe ø 4mm Qty 1 pcs	
No.	101248	Ref. No.	—	
			olive for pipe ø 12mm Qty 1 pcs suitable for PEL	
No.	101249	Ref. No.	—	
			olive for pipe ø 10mm Qty 1 pcs	
No.	101250	Ref. No.	—	
			union nut thread M20x1.5 for pipe ø 10mm	
No.	101251	Ref. No.	—	
			union nut thread M20x1.5 for pipe ø 12mm	
No.	101286	Ref. No.	—	
			olive ID ø 6mm Qty 1 pcs	
No.	110080	Ref. No.	—	
			knob ø 70mm shaft ø 10x8mm shaft flat universal	
No.	112206	Ref. No.	—	
			knob dial plate silver gas tap PEL21/22/23 t.max.°C ED ø 63mm ID ø 45.5mm	

ignition parts

pilot burners

POLIDORO

pilot burners






1

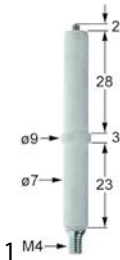
No.	102982	Ref. No.	90.027	
description	pilot burner POLIDORO 3 flames code gas connection 6mm			
accessories for	102982			
No.	100000	Ref. No.	—	
			pilot burner nozzle POLIDORO LPG code 22 bore ø 0.22mm Qty 1 pcs	
No.	100208	Ref. No.	—	
			pilot burner nozzle POLIDORO LPG code 20 bore ø 0.2mm Qty 1 pcs	
No.	100209	Ref. No.	—	
			pilot burner nozzle POLIDORO natural gas code 40 bore ø 0.4mm Qty 1 pcs	
No.	100701	Ref. No.	—	
			ignition electrode connection M4 Qty 1 pcs	
No.	100906	Ref. No.	—	
			screw connection thread M10x1 for ignition electrode brass Qty 1 pcs W5 10	
No.	100907	Ref. No.	—	
			screw connection thread M10x1 Qty 1 pcs type SEF 1 ømm for thermocouple	
No.	100908	Ref. No.	—	
			union screw thread M10x1 for pipe ø 4mm Qty 1 pcs	
No.	100909	Ref. No.	—	
			union screw thread M10x1 for pipe ø 6mm Qty 1 pcs	
No.	102110	Ref. No.	—	
			pilot tube copper pipe ø 4mm thickness 1mm L 3000mm	
No.	102111	Ref. No.	—	
			pilot tube copper pipe ø 6mm thickness 1mm L 3000mm	
No.	102699	Ref. No.	—	
			pilot burner nozzle POLIDORO natural gas code 25.2 bore ø 2x0.25mm Qty 1 pcs 2 bores	
No.	102795	Ref. No.	—	
			olive for pipe ø 4mm Qty 1 pcs	
No.	102797	Ref. No.	—	
			olive for pipe ø 6mm Qty 1 pcs	
No.	106703	Ref. No.	—	
			pilot burner nozzle POLIDORO natural gas code 27.2 bore ø 2x0.27mm Qty 1 pcs	

Table continues overleaf



accessories for		102982	
No.	106704	Ref. No.	—
	pilot burner nozzle POLIDORO LPG code 16.2 bore \varnothing 2x0.16mm Qty 1 pcs		
No.	106763	Ref. No.	—
	pilot burner nozzle POLIDORO natural gas code 27.2A bore \varnothing 2x 0.27mm Qty 1 pcs		
No.	106859	Ref. No.	—
	pilot burner nozzle POLIDORO LPG code 24 bore \varnothing 0.24mm Qty 1 pcs		

electrodes






No.	102314	Ref. No.	90.028
description	ignition electrode D1 \varnothing 7mm D2 \varnothing 9mm connection M4 L1 2mm BL1 28mm BL2 3mm BL3 23mm to clip		

piezoelectric igniters

mounting diameter 18mm



No.	100009	Ref. No.	90.015
description	piezoelectric igniter body plastic blowing mounting \varnothing 18mm connection \varnothing 2.4mm front measurements 26mm M18x1.5		
accessories for	100009		
	No. 101339	Ref. No.	—
cover cap for piezoelectric igniter			
	No. 106869	Ref. No.	—
cover cap for piezoelectric igniter ID \varnothing 22mm ED \varnothing 35mm H 25mm			
	No. 107931	Ref. No.	—
cover cap for piezoelectric igniter ID \varnothing 21mm ED \varnothing 36mm			

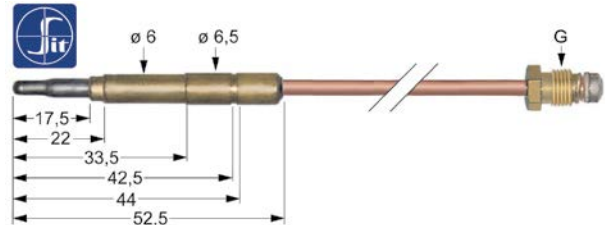
thermocouples

plug-in thermocouples

plug-in thermocouples standard

with barrel socket \varnothing 6(6.5)mm

thermocouples SIT




No.	107601	Ref. No.	90.068
description	thermocouple SIT M8x1 L 600mm plug connection \varnothing 6.0(6.5)mm		

gas burners

bar burners

bar burners




No.	104735	Ref. No.	1.501
description	bar burner 4 row L 490mm W 335mm \varnothing mm H 30mm		

gas nozzles

main nozzles

gas nozzles 1/8"



No.	102798	Ref. No.	90.039
description	gas injector thread 1/8" WS 11 bore \varnothing 1.6mm		