

# Professionall

Solutii profesionale pentru echipamente profesionale



**GAS COMPONENTS**



**ELECTRIC COMPONENTS**



**WATER TECHNOLOGY**



**MECHANICAL COMPONENTS**



**TOOLS**

Spare parts suitable for

**AMITEK**



## heating elements

### heating elements for fryers

<b>No.</b>	418643	<b>Ref. No.</b>	R00108
<b>description</b>	heating element 3200W 230V heating circuits 1 L 290mm W 185mm H 165mm L1 35mm L2 255mm W1 78mm W2 29mm flange length 50mm flange width 22mm hole distance 40mm windings 3 tube ø 8.5mm connection length 35mm connection F 6.3 hole ø 4mm rectangular flange immersion heater		

## thermostats

### control and safety thermostats

EGO

control thermostats

55.17\_series

<b>No.</b>	375436	<b>Ref. No.</b>	R00041
<b>description</b>	thermostat t.max. 184°C temperature range 70-184°C 1-pole 1NO 16A probe ø 6mm probe L 87mm capillary pipe 490mm capillary pipe isolated 250mm gland nut shaft ø 6x4.6mm shaft L 23mm shaft position upper rotation 270°		

IMIT / TEMPOMATIC / ARTHERMO

control thermostats

<b>No.</b>	375399	<b>Ref. No.</b>	R00221
<b>description</b>	thermostat t.max. 300°C temperature range 50-300°C 1-pole 1CO 15A probe ø 4mm probe L 97mm capillary pipe 900mm capillary pipe isolatedmm gland nut shaft ø 6x4.6mm shaft L 19mm shaft position upper rotation 270°		

TECASA

safety thermostats

<b>No.</b>	375195	<b>Ref. No.</b>	R00109
<b>description</b>	safety thermostat switch-off temp. 240°C 1-pole 16A probe ø 4mm probe L 84mm capillary pipe 400mm capillary pipe isolated 130mm gland nut probe SS		

refrigeration thermostats

RANCO

K54 series

<b>No.</b>	390932	<b>Ref. No.</b>	R00081
<b>description</b>	thermostat probe ø 2.5mm probe L 5mm capillary pipe 1110mm AMITEK for AK200, AK400, AK600R/RG		

## switches and momentary switches

### push/momentary push switches

30x22mm

<b>No.</b>	347981	<b>Ref. No.</b>	R00244
<b>description</b>	push switch mounting measurements 30x22mm silver 2CO 250V 16A illuminated 0-1 connection male faston 6.3mm ambient temperature max. 85°C protection IP40 for model SG195, SG220, SG250, SG 275P		

microswitches

lever actuated

<b>No.</b>	345255	<b>Ref. No.</b>	R00110
<b>description</b>	microswitch with lever 250V 16A 1CO connection male faston 6.3mm L 35mm L1 28mm ambient temperature max. 125°C mounting distance 22mm actuating force: 136g lever length 27mm		



## lamps

## lamp accessories

## sockets



1

<b>No.</b>	551242	<b>Ref. No.</b>	LA-LC-LR25 R00193
<b>description</b>	spiral cable socket E27 230V ø 95mm H 100mm connection cable 500mm mounting distancemm extendable PVC mounting thread M10 Qty 1 pcs black		

## electronic controllers

## DIXELL

## refrigeration controllers

## built-in version



1

<b>No.</b>	378256	<b>Ref. No.</b>	AK15038-014 R00084	
<b>description</b>	electronic controller DIXELL XR02CX-5N0C0 mounting measurements 71x29mm built-in depth 56mm 230V voltage AC NTC relay outputs 1 CO-8A(4) NTC protection IP54 defrosting function/time control -40 up to +110°C display 2½ digit			
<b>spare parts for</b>	378256			
	<b>No.</b>	379161	<b>Ref. No.</b>	R00213
	temperature probe NTC 10kOhm cable thermoplastic probe -40 up to +110°C cable -40 up to +110°C probe ø6x14mm cable length 3m without screw connection 2-wire			
<b>accessories for</b>	378256			
	<b>No.</b>	378194	<b>Ref. No.</b>	—
	temperature probe NTC 10kOhm cable PVC probe -20 up to +80°C cable -10 up to 100°C probe ø7x24.5mm cable length 1.5m without screw connection 2-wire			
	<b>No.</b>	379057	<b>Ref. No.</b>	—
	temperature probe NTC 10kOhm cable PVC probe -20 up to +80°C cable -10 up to 100°C probe ø6x25mm cable length 3m 2-wire			
	<b>No.</b>	379160	<b>Ref. No.</b>	—
	temperature probe NTC 10kOhm cable thermoplastic probe -40 up to +110°C cable -40 up to +110°C probe ø6x14mm cable length 1.5m without screw connection 2-wire			

<b>accessories for</b>	378256			
	<b>No.</b>	379161	<b>Ref. No.</b>	R00213
	temperature probe NTC 10kOhm cable thermoplastic probe -40 up to +110°C cable -40 up to +110°C probe ø6x14mm cable length 3m without screw connection 2-wire			
	<b>No.</b>	379343	<b>Ref. No.</b>	—
	temperature probe NTC 10kOhm cable silicone probe -40 up to +110°C cable -50 up to +180°C probe ø6x40mm cable length 3m 2-wire			
	<b>No.</b>	379458	<b>Ref. No.</b>	—
	temperature probe NTC 10kOhm cable silicone probe -40 up to +110°C cable -50 up to +180°C probe ø6x40mm cable length 1.5m without screw connection 2-wire			

<b>1</b>			
<b>No.</b>	378273	<b>Ref. No.</b>	R00085
<b>description</b>	electronic controller DIXELL XR06CX-5N0C1 mounting measurements 71x29mm 230V voltage AC NTC -40 up to +110°C display 2½ digit DEF Relay 8A fan relay 8A compressor relay 20A		

## probes

## universal probes

## temperature probes



1

<b>No.</b>	379161	<b>Ref. No.</b>	R00213
<b>description</b>	temperature probe NTC 10kOhm cable thermoplastic probe -40 up to +110°C cable -40 up to +110°C probe ø6x14mm cable length 3m without screw connection 2-wire		

## electronics

## PCBs



1

<b>No.</b>	403656	<b>Ref. No.</b>	R00889
<b>description</b>	PCB CT5 L 105mm W 105mm with switch		



1	<b>No.</b>	360664	<b>Ref. No.</b>	R00303
<b>description</b> PCB for planetary mixer AP7 L 90mm W 90mm				



1	<b>No.</b>	403708	<b>Ref. No.</b>	R00737 SG250P-275P-300RP
<b>description</b> PCB L 68mm W 30mm for switch				

**fans**

axial fans

import



1	<b>No.</b>	601604 <sup>1</sup>	<b>Ref. No.</b>	S900.33
<b>description</b> axial fan L 119mm W 119mm H 38mm 230VAC 50/60Hz 17/15W bearing slide bearing manuf. no. AA1282HS-AT connection cable 300mm fan wheel ø 110mm temp.-resist. 70°C input current 0.1A airflow 130m <sup>3</sup> /h 2600rpm				

<sup>1</sup>with slide bearings

cross flow fans

TRIAL

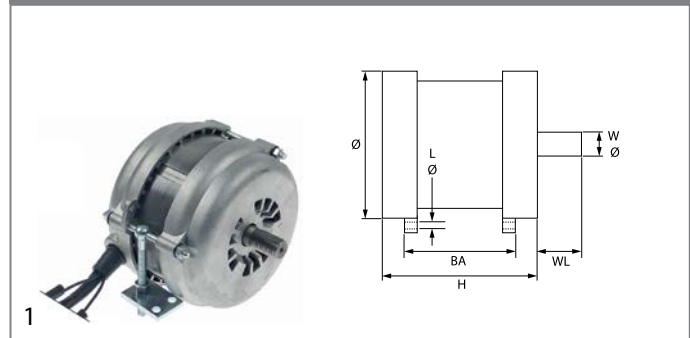


1	<b>No.</b>	601824	<b>Ref. No.</b>	R00134
<b>description</b> cross flow fan TAS18B-002 roller ø 60mm roller length 180mm laminated core thickness 13mm motor position left 220V/50HzW universal bearing silicone connection male faston 6.3mm -10 up to +60°C 220V 50Hz				

**motors**

motors

for slicers



1	<b>No.</b>	501543	<b>Ref. No.</b>	R00979
<b>description</b> motor 230V 50Hz 1380rpm shaft ø 15mm shaft length 28mm ø 128mm H 95mm capacitor 8µF				

**equipment-specific units**

for vegetable slicers

cutting discs

blades smooth

cutting discs



1	<b>No.</b>	697389	<b>Ref. No.</b>	E1
<b>description</b> slicing disk type E1 ø 206mm seat ø 19mm slicing thickness 1mm plastic				

for griddles

griddles



1	<b>No.</b>	692556	<b>Ref. No.</b>	R00499
<b>description</b> griddle L 590mm W 405mm H 60mm smooth FT2L				

## for dishwashers

## door mechanics

## hinges



1

<b>No.</b>	503171	<b>Ref. No.</b>	R00098
<b>description</b>	hinge mounting pos. bottom left/right		



1

<b>No.</b>	701385	<b>Ref. No.</b>	R00356
<b>description</b>	bracket L 63mm W 30mm H 100mm mounting pos. upper left		



1

<b>No.</b>	701384	<b>Ref. No.</b>	R00383
<b>description</b>	door hinge L 54mm W 62mm H 65mm mounting pos. bottom right		



1

<b>No.</b>	701383	<b>Ref. No.</b>	R00384
<b>description</b>	door hinge L 54mm W 74mm H 48mm mounting pos. upper right Qty 1 pcs		



1

<b>No.</b>	692493	<b>Ref. No.</b>	R00100
<b>description</b>	hinge L 103mm W 160mm H 10mm mounting pos. lower bolt 10mm bolt ø 7mm with bolt		



1

<b>No.</b>	692492	<b>Ref. No.</b>	R00099
<b>description</b>	hinge L 85mm W 45mm mounting pos. left/right lower Qty 1 pcs		

## knobs

## producer-specific knobs

## AMITEK



1

<b>No.</b>	112745	<b>Ref. No.</b>	061061
<b>description</b>	knob switch 4-position t.max. °C°C ø 80mm shaft ø 6x4.6mm shaft flat upper black		



1

<b>No.</b>	112708	<b>Ref. No.</b>	R00233
<b>description</b>	knob thermostat t.max. 300°C 50-300°C ø 69mm shaft ø 6x4.6mm shaft flat upper black		

## hinges

## door bearing



1

<b>No.</b>	692491	<b>Ref. No.</b>	R00096
<b>description</b>	bolt L 21mm mounting pos. lower thread M5 ø 7mm complete for door hinge Qty 1 pcs		

## equipment feet and end caps

## equipment feet

## with fixing plate




1

<b>No.</b>	701322	<b>Ref. No.</b>	R00382
<b>description</b>	equipment foot tube ø 64mm plate size 85x85mm hole distance 56x56 up to 65x65mm H 145-165mm SS size 2 1/2" Qty 1 pcs		




screw-in feet



1

<b>No.</b>	701323	<b>Ref. No.</b>	R00080
<b>description</b>	equipment foot thread M8 thread L 21mm ø 29mm H 14mm L 35mm		



1

<b>No.</b>	701324	<b>Ref. No.</b>	R00135
<b>description</b>	equipment foot thread M8 thread L 22mm ø 35mm H 29mm Qty 1 pcs L 41mm		

shelves and shelf rails

grates

universal


without upstand



1


<b>No.</b>	970839	<b>Ref. No.</b>	400860000
<b>description</b>	grate W 650mm D 530mm GN 2/1 plastic-coated steel crossing wires 2 white AMITEK		

with upstand




1

<b>No.</b>	970836	<b>Ref. No.</b>	400740000
<b>description</b>	grate W 335mm D 530mm plastic-coated steel wire gauge frame 9.5mm lengthwise wires gauge 4mm crossing wires 2 white AMITEK		




1

<b>No.</b>	970841	<b>Ref. No.</b>	400780000
<b>description</b>	grate W 410mm D 630mm plastic-coated steel crossing wires 2 white AMITEK		



1

<b>No.</b>	970837	<b>Ref. No.</b>	400850000
<b>description</b>	grate W 415mm D 510mm plastic-coated steel wire gauge frame 8mm lengthwise wires gauge 4mm crossing wires 2 white AMITEK		



1

<b>No.</b>	970838	<b>Ref. No.</b>	400730000
<b>description</b>	grate W 530mm D 650mm GN 2/1 plastic-coated steel crossing wires 2 white AMITEK		

producer-specific



1

<b>No.</b>	970840	<b>Ref. No.</b>	400770000
<b>description</b>	grate W 530mm D 550mm plastic-coated steel wire gauge frame 8mm lengthwise wires gauge 4mm crossing wires 2 white AMITEK		

shelf rails and supports

producer-specific



1

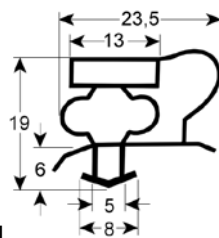
<b>No.</b>	701321	<b>Ref. No.</b>	400840000
<b>description</b>	pair of setting bar L-shape L 655mm W 22mm H 28mm mounting pos. left/right		

## gaskets

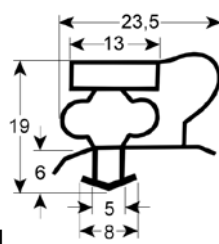
### refrigeration gaskets

#### plug-in gaskets

##### profile 9165

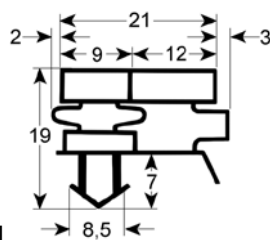


<b>No.</b>	901823	<b>Ref. No.</b>	R00060
<b>description</b>	refrigeration gasket profile 9165 W 635mm L 1450mm plug size AK400		

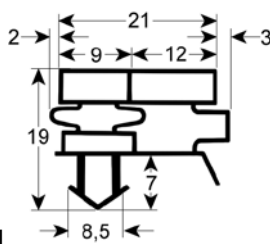


<b>No.</b>	901746	<b>Ref. No.</b>	R00059
<b>description</b>	refrigeration gasket profile 9165 W 690mm L 1490mm plug size		

##### profile 9148



<b>No.</b>	901743	<b>Ref. No.</b>	R00111
<b>description</b>	refrigeration gasket profile 9148 W 545mm L 650mm plug size		



<b>No.</b>	901744	<b>Ref. No.</b>	R00112
<b>description</b>	refrigeration gasket profile 9148 W 550mm L 1650mm plug size		

<b>No.</b>	701386	<b>Ref. No.</b>	400830000
<b>description</b>	pair of setting bar U-shape L 545mm W 20mm mounting pos. left/right hook width 9.7mm inner height 12mm		

<b>No.</b>	701320	<b>Ref. No.</b>	400920000
<b>description</b>	pair of setting bar U-shape L 550mm W 20mm H 13mm mounting pos. left/right		

<b>No.</b>	701319	<b>Ref. No.</b>	400800000
<b>description</b>	pair of setting bar U-shape L 560mm W 20mm H 18mm mounting pos. left/right		

<b>No.</b>	701387	<b>Ref. No.</b>	400790000
<b>description</b>	pair of setting bar U-shape L 645mm W 20mm H 16mm mounting pos. left/right		



<b>No.</b>	901745	<b>Ref. No.</b>	R00113
<b>description</b>	refrigeration gasket profile 9148 W 730mm L 1655mm plug size		

profile 9150

<b>No.</b>	901742	<b>Ref. No.</b>	R00057
<b>description</b>	refrigeration gasket profile 9150 W 390mm L 595mm plug size		

<b>No.</b>	901493	<b>Ref. No.</b>	R00056
<b>description</b>	refrigeration gasket profile 9150 W 396mm L 494mm plug size		

<b>No.</b>	901653	<b>Ref. No.</b>	R00058
<b>description</b>	refrigeration gasket profile 9150 W 460mm L 595mm plug size		

profile 9157

<b>No.</b>	901822	<b>Ref. No.</b>	R00153
<b>description</b>	refrigeration gasket profile 9157 W 395mm L 225mm plug size AK901		

## transmission technology and ball bearings

### ball bearings

#### deep-groove ball bearings 2RS

<b>No.</b>	523522	<b>Ref. No.</b>	R00407
<b>description</b>	deep-groove ball bearing type 6004-2RS shaft $\varnothing$ 20mm ED $\varnothing$ 42mm W 12mm with sealing discs deep-groove ball bearing DIN 625-1		

### drive belts

#### poly-v belts

<b>No.</b>	697613	<b>Ref. No.</b>	R00279
<b>description</b>	poly-v belt grooves 8 W 16mm L 295mm profile TB2		

## measuring equipment

### thermometers

#### built-in thermometers

#### external power supply

<b>No.</b>	378328 <sup>1</sup>	<b>Ref. No.</b>	R00150
<b>description</b>	thermometer mounting measurements 58x25.5mm front measurements 64x31mm 230V voltage AC -50 up to +110°C probe $\varnothing$ 6x15mm cable length 2000mm		

<sup>1</sup>incl. 1x NTC probe